

38MA*R
Outdoor Unit Single Zone Ductless System
Sizes 09 to 36



Product Data



Fig. 1 — Sizes 09K - 36K

NOTE: Images are for illustration purposes **only**. Actual models may differ slightly.

TABLE OF CONTENTS

| | PAGE |
|--|------|
| INDUSTRY LEADING FEATURES / BENEFITS..... | 1 |
| MODEL NUMBER NOMENCLATURE | 3 |
| STANDARD FEATURES AND ACCESSORIES | 4 |
| DIMENSIONS | 5 |
| CLEARANCES..... | 8 |
| SPECIFICATIONS | 9 |
| COMPATIBILITY | 10 |
| PERFORMANCE | 11 |
| COOLING PERFORMANCE - HIGH WALL | 23 |
| HEATING PERFORMANCE - HIGH WALL | 25 |
| COOLING PERFORMANCE - CASSETTE | 27 |
| HEATING PERFORMANCE - CASSETTE | 28 |
| COOLING PERFORMANCE - DUCTED..... | 29 |
| HEATING PERFORMANCE - DUCTED | 30 |
| COOLING PERFORMANCE - CONSOLE | 31 |
| HEATING PERFORMANCE - CONSOLE..... | 32 |
| COOLING PERFORMANCE - FMA4 FAN COIL | 33 |
| HEATING PERFORMANCE - FMA4 FAN COIL | 34 |
| COOLING PERFORMANCE - FMC-FMU FAN COIL | 35 |
| HEATING PERFORMANCE - FMC-FMU FAN COIL | 36 |
| COOLING PERFORMANCE - FV4 FAN COIL | 37 |
| HEATING PERFORMANCE - FV4 FAN COIL | 38 |
| COOLING PERFORMANCE - AIR HANDLER..... | 39 |
| HEATING PERFORMANCE - AIR HANDLER | 39 |
| APPLICATION DATA | 40 |
| CUT IN/OUT TEMPERATURES..... | 40 |
| WIRING..... | 41 |
| AIRFLOW DATA | 42 |
| SOUND PRESSURE | 42 |
| SOUND PRESSURE IN OCTAVE BANDS | 42 |
| ELECTRICAL DATA | 43 |
| WIRING DIAGRAMS..... | 44 |
| GUIDE SPECIFICATIONS..... | 47 |

INDUSTRY LEADING FEATURES / BENEFITS

A PERFECT BALANCE BETWEEN BUDGET LIMITS, ENERGY SAVINGS AND COMFORT.

The **38MA*R** series ductless systems are a matched combination of an outdoor condensing unit and an indoor fan coil unit connected only by refrigerant tubing and wires.

The ductless system permits creative solutions to design problems such as:

- Add-ons to current space (an office or family room addition)
- Special space requirements
- When changes in the load cannot be handled by the existing system
- When adding air conditioning to spaces that are heated by hydronic or electric heat and have no ductwork
- Historical renovations or any application where preserving the look of the original structure is essential.

The ideal compliment to your ducted system when it is impractical or prohibitively expensive to use ductwork.

The compact indoor fan coil units take up very little space in the room and do not obstruct windows. The fan coils are attractively styled to blend with most room decors. Advanced system components incorporate innovative technology to provide reliable cooling performance at low sound levels.

Inverter Technology

The inverter driven compressor is designed to run at various input power frequencies (Hz) which controls the compressor's motor speed.

Even Temperature – The control package, including the inverter, monitors the outdoor and indoor temperatures as they relate to the selected indoor set point and adjusts the compressor speed to match the load and keep the system operating continuously rather than cycling and creating temperature swings. This translates to higher comfort levels for the occupants.

Rapid Pull Down/Warm-Up – Comfort is increased by the inverter system's ability to ramp up the compressor speed enabling the system to reach the user selected room temperature set point quicker.

Humidity Control – Running the system for longer periods and continuously varying the compressor speed enhances the humidity control.

Individual Room Comfort

Maximum comfort is provided because each space can be controlled individually based on the usage pattern.

Low Sound Levels

When noise is a concern, ductless systems are the answer. The indoor units are whisper quiet. There are no compressors indoors, either in the conditioned space or directly over it, and there is none of the noise usually generated by air being forced through the ductwork.

When sound ordinances and proximity to neighbors demand quiet operation, the **38MA*R** unit is the right choice. With the inverter technology, these units run at lower speeds most of the time resulting in reduced sound levels.

Inverter Technology – Enhanced Economical Operation

Ductless systems are inherently economical to operate. Individual rooms are heated or cooled only when required, and since the air is delivered directly to the space, there is no need to use additional energy to move the air in the ductwork. This economical operation is enhanced further when the inverter system output matches the load resulting in a more efficient system.

Easy-To-Use Controls

The systems have microprocessor-based controls to provide the ultimate in comfort and efficiency. The user friendly wired and wireless remote controls provide the interface between the user and the unit.

Secure Operation

If security is an issue, outdoor and indoor units are connected only by refrigerant piping and wiring to prevent intruders from crawling through ductwork or wall openings. In addition, since the **38MA*R** can be installed close to an outside wall, coils are protected from vandals and severe weather.

Fast Installation

This compact ductless system is simple to install. Only wires and piping need to run between the indoor and outdoor units. These units are fast and easy to install ensuring minimal disruption to customers in homes or the workplace. This makes the **38MA*R** systems the equipment of choice for retrofit applications.

Simple Servicing and Maintenance

Removing the top panel of the outdoor unit provides immediate access to the control compartment, providing the service technician access to the diagnostic LEDs to facilitate the troubleshooting process. In addition, the draw-thru design of the outdoor unit means that dirt accumulates on the outside surface of the coil. Coils can be cleaned quickly from the inside using a pressure hose and detergent.

On the indoor units, service and maintenance expense is reduced due to the permanent easy to clean filters. Also, error codes are displayed on the front panel to alert the user to certain system malfunctions.

Built-in Reliability

Ductless system indoor and outdoor units are designed to provide years of trouble-free operation. Both the indoor and outdoor units are well protected. Whenever the microprocessor detects abnormal conditions, the unit stops and an error code appears.

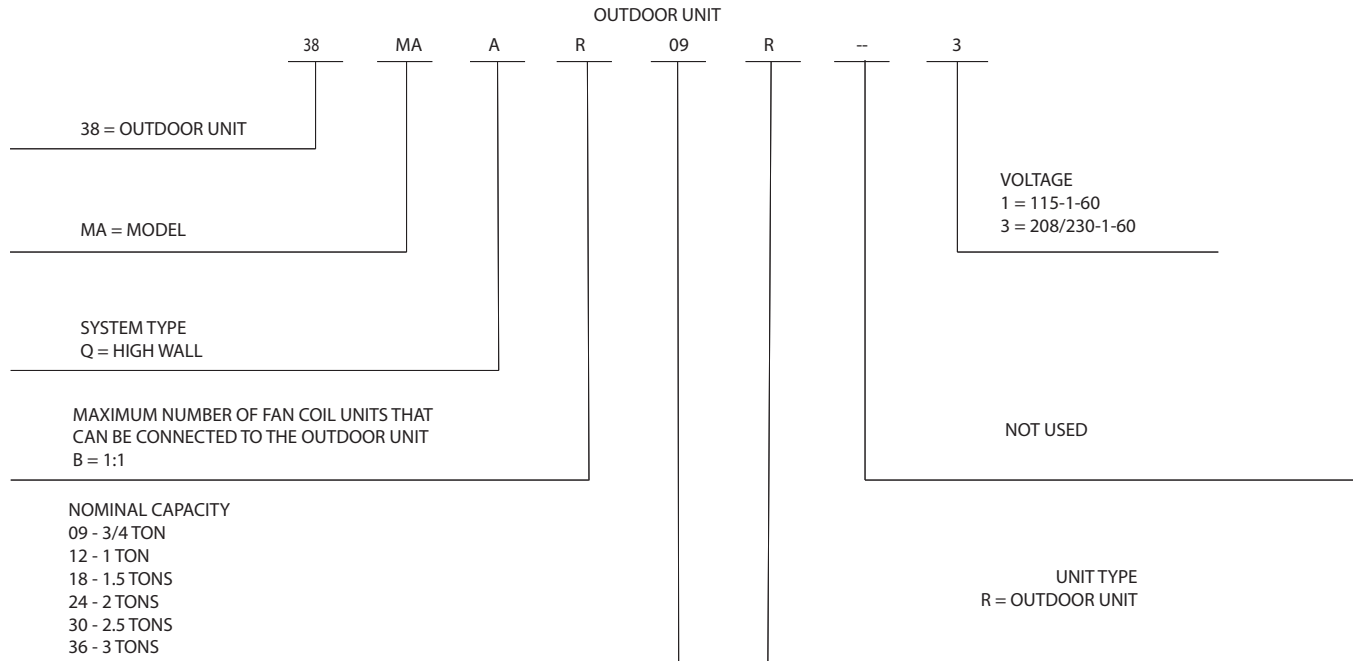
Inverter systems provide additional reliability due to the soft start.

This refers to the ability of the inverter to start the compressor motor using reduced voltage and reduced current. This feature is beneficial from an electrical standpoint (eliminates current spikes) as well as an overall reliability standpoint due to reduced stress on all associated system components.

Agency Listings

All systems are listed with AHRI (Air conditioning, Heating, and Refrigeration Institute) and are ETL certified per UL 1995 standard.

MODEL NUMBER NOMENCLATURE



Use of the AHRI Certified TM Mark indicates a manufacturer's participation in the program. For verification of certification for individual products, go to www.ahridirectory.org.



STANDARD FEATURES AND ACCESSORIES

| | |
|--|---|
| Ease Of Installation | |
| Low Voltage Controls | S |
| Comfort Features | |
| Microprocessor Controls | S |
| Auto Restart Function | S |
| Auto Changeover | S |
| Energy Saving Features | |
| Inverter Driven Compressor | S |
| 46° F Heating Mode (Heating Setback) | S |
| Safety And Reliability | |
| 3 Minute Time Delay For Compressor | S |
| High Compressor Discharge Temperature | S |
| Low Voltage Protection | S |
| Compressor Overload Protection | S |
| Compressor Over Current Protection | S |
| IPM Module Protection | S |
| Condenser High Temp Protection in Cooling Mode | S |
| Aluminum Hydrophilic pre-coated fins | S |
| Ease Of Service And Maintenance | |
| Diagnostics | S |
| Liquid Line Pressure Taps | S |
| Application Flexibility | |
| Crankcase Heater | S |
| Base pan Heater | S |

Outdoor Units

Crankcase Unit

The crankcase heater is standard on all unit sizes. The heater clamps around the compressor oil sump.

Base pan Heater

The base pan heater is standard on all unit sizes.

Legend

S - Standard

A - Accessory

Accessories

| Outdoor Unit Model Number | Base Pan Base Rubber Plugs RCD Part No. | Quantity per Unit |
|--|---|-------------------|
| 38MAQB12R--1 38MAQB09R--3 38MAQB12R--3 | 12600801A00077 | 13 |
| 38MAQB18R--3 | 12600801A00077 | 25 |
| 38MAQB24R--3 38MAQB30R--3 38MAQB36R--3 | 12600801A00117 | 5 |

NOTE: The base pan is built in with multiple holes for proper draining during the defrost process. For applications where it is required to seal these holes, and re-direct the condensate drain, rubber plugs are available through RCD.

| Accessory No. | Description | For Models |
|-----------------|--|--|
| RCD# 331831-701 | TXV/Piston Piping Adaptor Kit, to facilitate piping installation when matched with residential fan coils and cased coils | ALL HYBRID SOLUTION FAN COILS AND CASSED COILS ALL SIZES |

DIMENSIONS

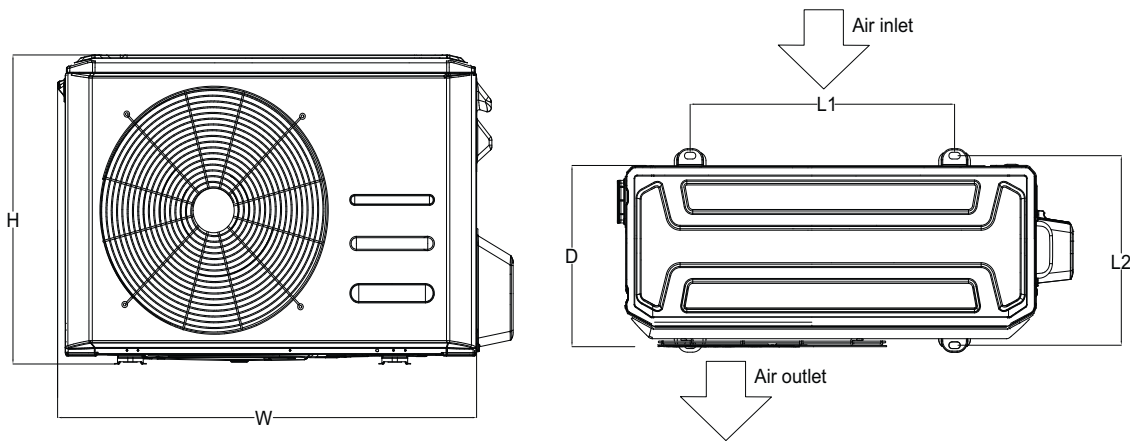


Fig. 2 — Outdoor Unit

| UNIT SIZES | | 12K | 9K | 12K | 18K | 24K | 30K | 36K |
|-------------------------|-----------------|-------------|-------------|-------------|--------------|-------------|--------------|--------------|
| VOLTAGES | | 115V | 208/230V | 208/230V | 208/230V | 208/230V | 208/230V | 208/230V |
| HEIGHT (H) | IN (MM) | 21.81 (554) | 21.81 (554) | 21.81 (554) | 27.63 (702) | 31.89 (810) | 31.89 (810) | 31.89 (810) |
| WIDTH (W) | IN (MM) | 32.09 (815) | 32.09 (815) | 32.09 (815) | 33.66 (855) | 37.24 (946) | 37.24 (946) | 37.24 (946) |
| DEPTH (D) | IN (MM) | 13.11 (333) | 13.11 (333) | 13.11 (333) | 14.17 (360) | 16.14 (410) | 16.14 (410) | 16.14 (410) |
| L1 | IN (MM) | 20.24 (514) | 20.24 (514) | 20.24 (514) | 21.26 (540) | 26.50 (673) | 26.50 (673) | 26.50 (673) |
| L2 | IN (MM) | 13.39 (340) | 13.39 (340) | 13.39 (340) | 13.78 (350) | 15.87 (403) | 15.87 (403) | 15.87 (403) |
| OPERATING WEIGHT | LBS (KG) | 82.9 (37.6) | 91.5 (41.5) | 91.5 (41.5) | 118.2 (53.6) | 145.5 (66) | 139.8 (63.4) | 147.3 (66.8) |

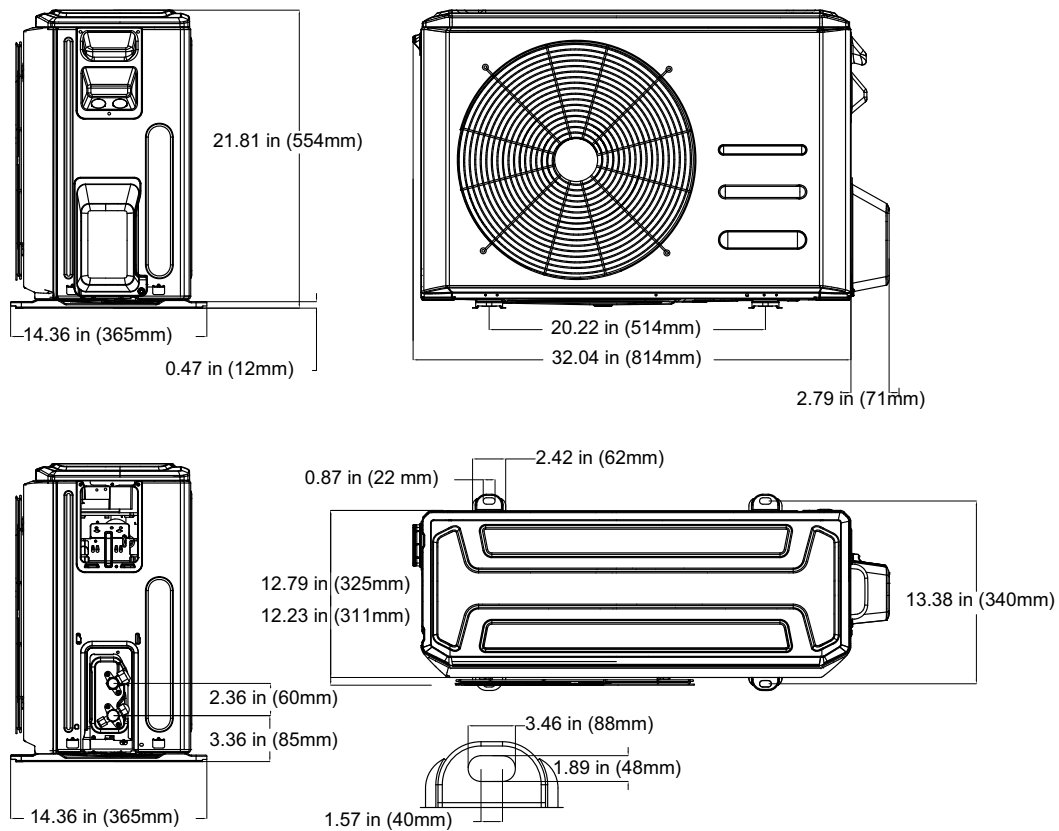


Fig. 3 — Sizes 09K-12K

DIMENSIONS (CONT)

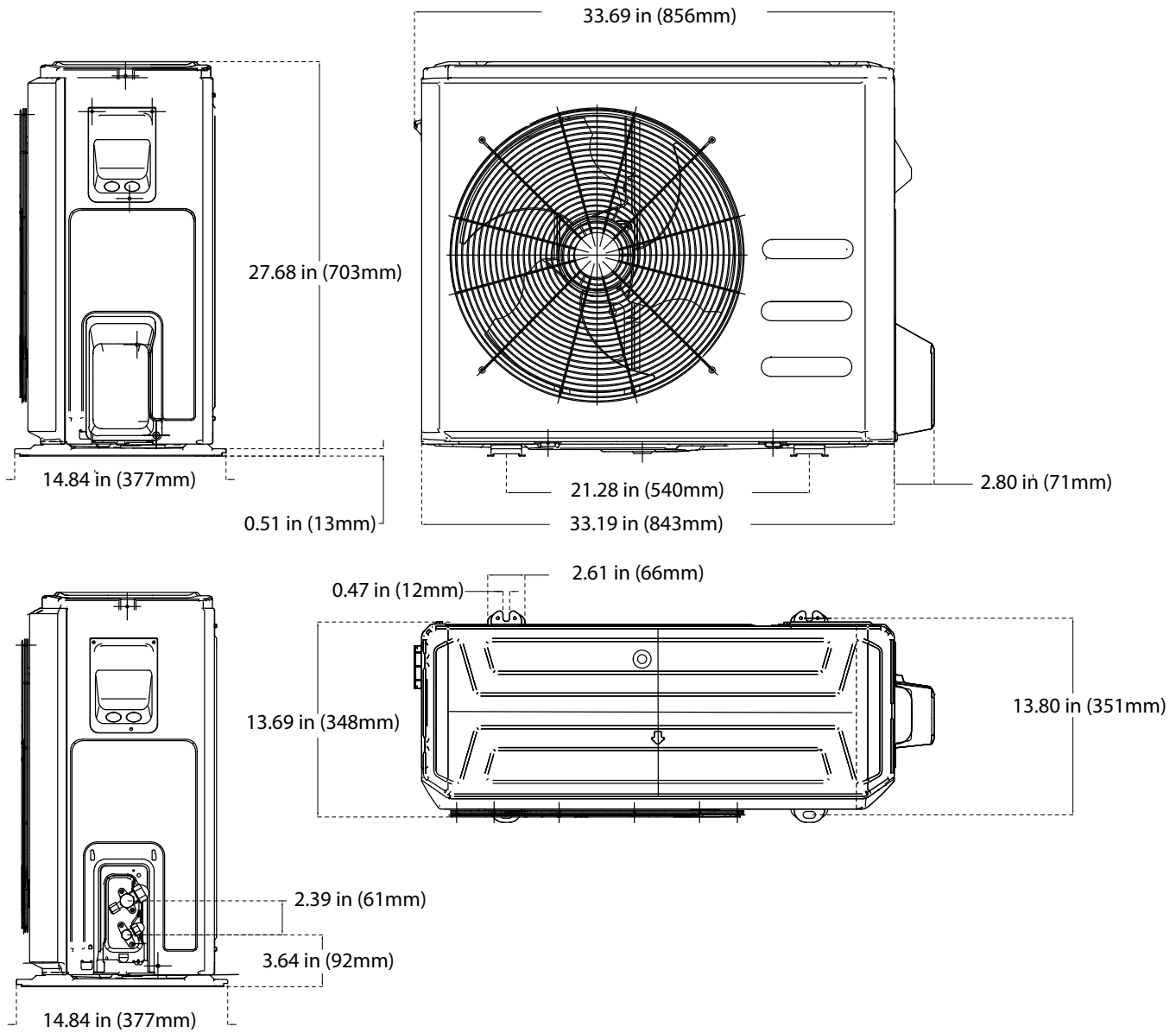


Fig. 4 —Size 18K

DIMENSIONS (CONT)

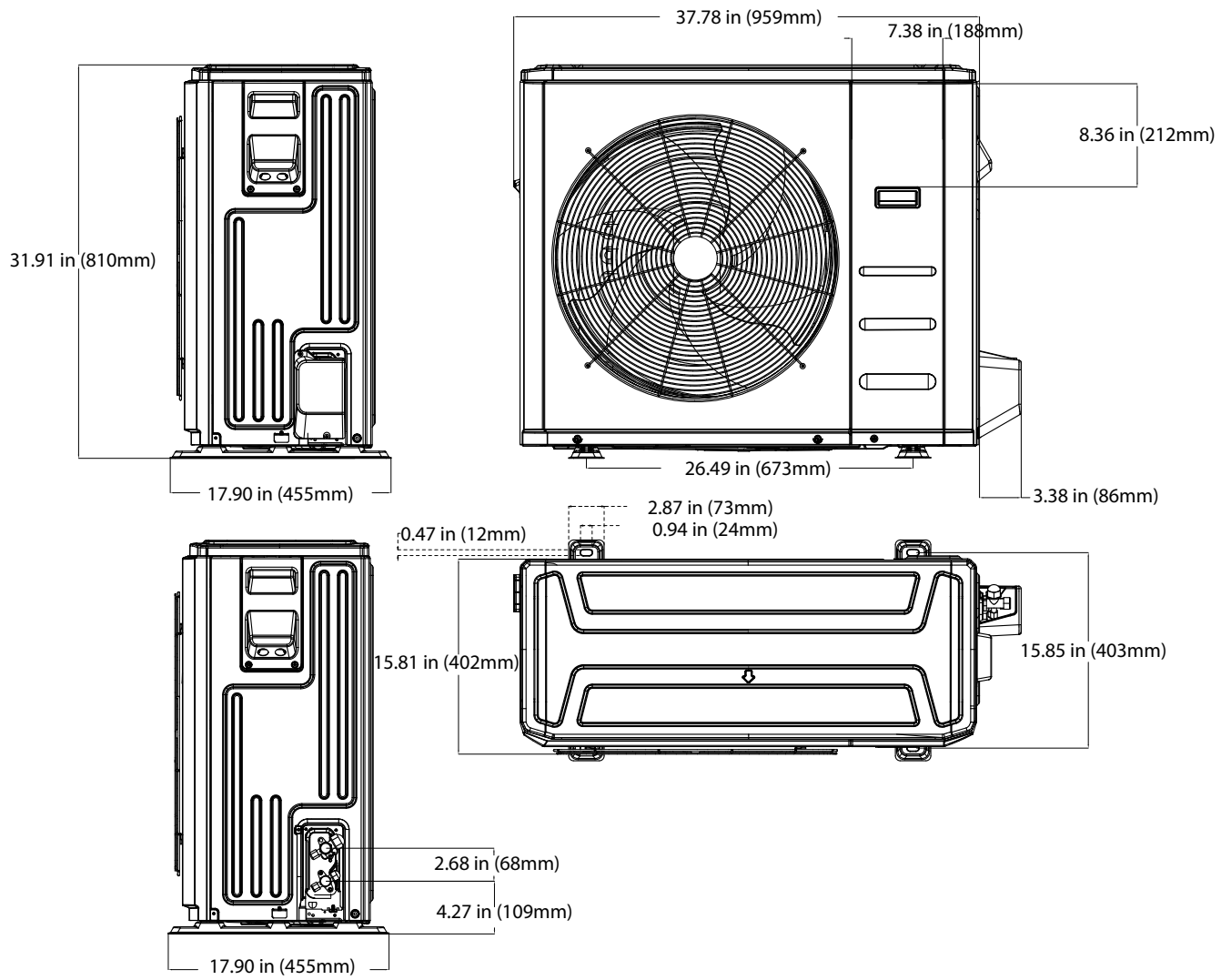


Fig. 5 — Sizes 24K, 30K, and 36K

CLEARANCES

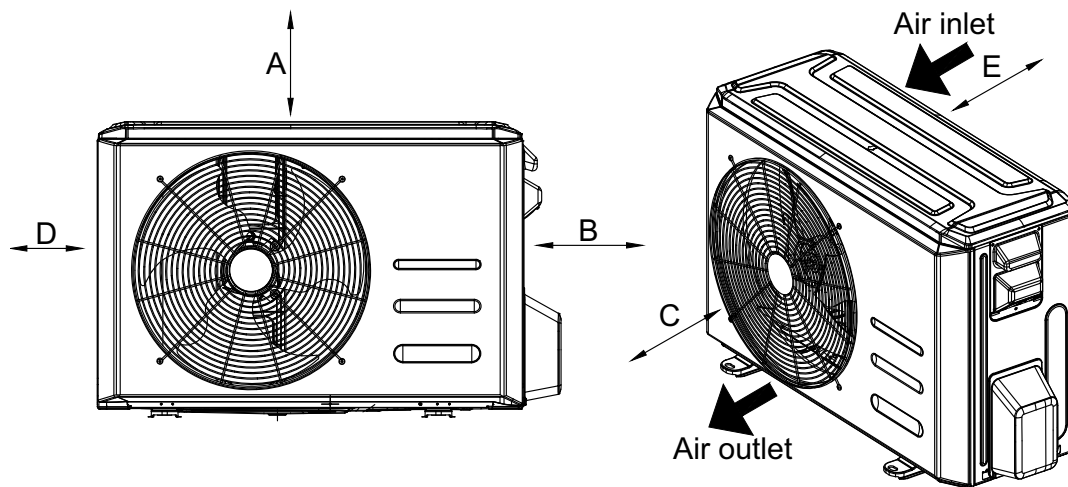


Fig. 6 — Clearances

| UNIT | MINIMUM VALUE IN. (MM) |
|------|---------------------------|
| A | 24 (610) |
| B | 24 (610) |
| C | 24 (610) |
| D | 4 (101) |
| E | 4 (101) |

NOTE: The outdoor unit must be mounted at least 2in (50mm) above the maximum anticipated snow depth.

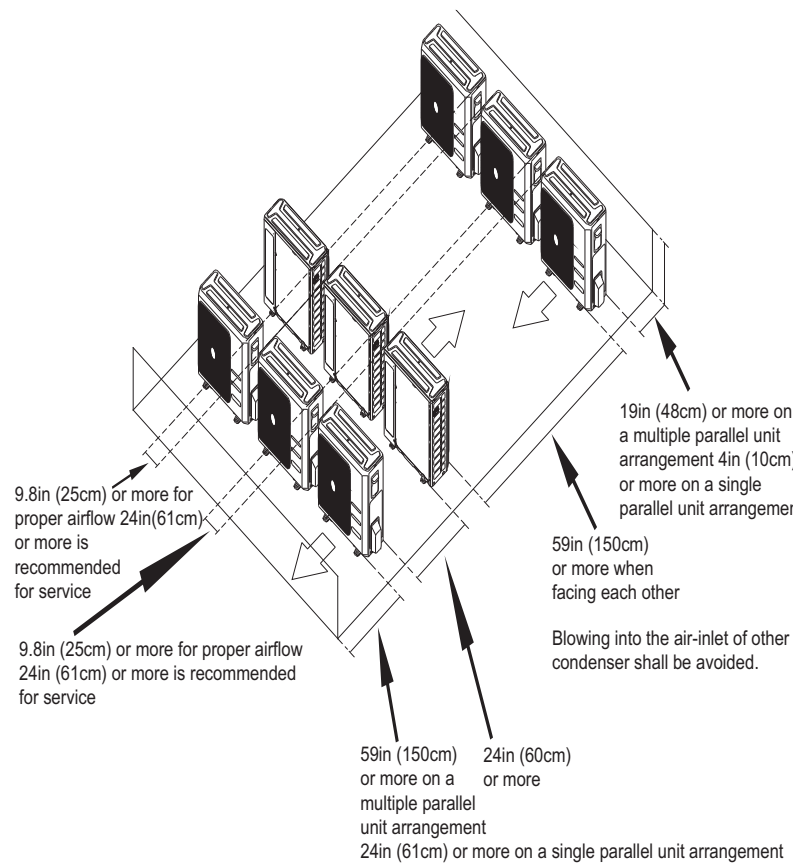


Fig. 7 — Clearances for multiple units

SPECIFICATIONS

| HEAT PUMP | | | | | | | | | |
|-----------------|--------------------------------|----------|------------------|------------------|------------------|------------------|------------------|------------------|------------------|
| SYSTEM | SIZE | | 12K | 9K | 12K | 18K | 24K | 30K | 36K |
| | Outdoor Model | | 38MAQB12R--1 | 38MAQB09R--3 | 38MAQB12R--3 | 38MAQB18R--3 | 38MAQB24R--3 | 38MAQB30R--3 | 38MAQB36R--3 |
| Electrical | Voltage, Phase, Cycle | V/Ph/Hz | 115-1-60 | 208/230-1-60 | 208/230-1-60 | 208/230-1-60 | 208/230-1-60 | 208/230-1-60 | 208/230-1-60 |
| | MCA | A. | 15 | 9 | 9 | 18 | 20 | 20 | 25 |
| | MOCP - Fuse Rating | A. | 20 | 15 | 15 | 25 | 30 | 30 | 35 |
| Operating Range | Cooling Outdoor DB Min - Max | °F(°C) | -13~122 (-25~50) | -13~122 (-25~50) | -13~122 (-25~50) | -13~122 (-25~50) | -13~122 (-25~50) | -13~122 (-25~50) | -13~122 (-25~50) |
| | Heating Outdoor DB Min - Max | °F(°C) | -13~86 (-25~30) | -22~86 (-30~30) | -22~86 (-30~30) | -22~86 (-30~30) | -22~86 (-30~30) | -13~86 (-25~30) | -13~86 (-25~30) |
| Piping | Total Piping Length | ft (m) | 82 (25) | 82 (25) | 82 (25) | 98 (30) | 164 (50) | 164 (50) | 164 (50) |
| | Piping Lift* | ft (m) | 32 (10) | 32 (10) | 32 (10) | 65 (20) | 65 (20) | 82 (25) | 82 (25) |
| | Pipe Connection Size - Liquid | in (mm) | 1/4 (6.35) | 1/4 (6.35) | 1/4 (6.35) | 1/4 (6.35) | 3/8 (9.52) | 3/8 (9.52) | 3/8 (9.52) |
| | Pipe Connection Size - Suction | in (mm) | 1/2 (12.7) | 3/8 (9.52) | 1/2 (12.7) | 1/2 (12.7) | 5/8 (16) | 5/8 (16) | 5/8 (16) |
| Refrigerant | Type | | R410A | R410A | R410A | R410A | R410A | R410A | R410A |
| | Charge | lbs (kg) | 2.76 (1.25) | 3.31 (1.5) | 3.31 (1.5) | 4.30 (1.95) | 5.73 (2.60) | 6.06 (2.75) | 7.50 (3.40) |
| | Metering Device | | EEV | EEV | EEV | EEV | EEV | EEV | EEV |
| Outdoor Coil | Face Area | Sq. Ft. | 4.5 | 4.5 | 4.5 | 5.2 | 8.0 | 8.0 | 8.0 |
| | No. Rows | | 2 | 2 | 2 | 2 | 2 | 3 | 3 |
| | Fins per inch | | 20 | 18 | 18 | 18 | 20 | 18 | 18 |
| | Circuits | | 4 | 4 | 4 | 4 | 4 | 6 | 6 |
| Compressor | Type | | Rotary Inverter | Rotary Inverter | Rotary Inverter | Rotary Inverter | Rotary Inverter | Rotary Inverter | Rotary Inverter |
| | Model | | ASM98D32UFZ | ATM115D43UFZ2 | ATM115D43UFZ2 | ATF235D22UMT | ATF235D22UMT | ATF250D22UMT | ATF250D22UMT |
| | Oil Type | | VG74 | VG74 | VG74 | VG74 | VG74 | VG74 | VG74 |
| | Oil Charge | Fl. Oz. | 13.0 | 17.6 | 17.6 | 23.6 | 23.6 | 23.6 | 23.6 |
| | Rated Current | RLA | 9.0 | 5.3 | 5.7 | 12.3 | 14.0 | 15.0 | 17.0 |
| Outdoor | Unit Width | in (mm) | 32.09 (815) | 32.09 (815) | 32.09 (815) | 33.66 (855) | 37.24 (946) | 37.24 (946) | 37.24 (946) |
| | Unit Height | in (mm) | 21.81 (554) | 21.81 (554) | 21.81 (554) | 27.63 (702) | 31.89 (810) | 31.89 (810) | 31.89 (810) |
| | Unit Depth | in (mm) | 13.11 (333) | 13.11 (333) | 13.11 (333) | 14.17 (360) | 16.14 (410) | 16.14 (410) | 16.14 (410) |
| | Net Weight | lbs (kg) | 82.9 (37.6) | 91.5 (41.5) | 91.5 (41.5) | 118.2 (53.6) | 145.5 (66) | 139.8 (63.4) | 147.3 (66.8) |
| | Airflow | CPM | 1,200 | 1,200 | 1,200 | 1,390 | 2,130 | 2,130 | 2,130 |
| | Sound Pressure | db(A) | 52.5 | 55.5 | 56.0 | 57.5 | 60.5 | 60.5 | 60.5 |

* Condensing unit above or below the indoor unit

COMPATIBILITY

| INDOOR UNIT | | OUTDOOR UNIT | | | | | | |
|--------------------|----------------------|--------------|--------------|--------------|--------------|--------------|--------------|--------------|
| | | 38MAQB12R--1 | 38MAQB09R--3 | 38MAQB12R--3 | 38MAQB18R--3 | 38MAQB24R--3 | 38MAQB30R--3 | 38MAQB36R--3 |
| High Wall | 40MAQB12B--1 | ● | | | | | | |
| | 40MAQB09B--3 | | ● | | | | | |
| | 40MAQB12B--3 | | | ● | | | | |
| | 40MAQB18B--3 | | | | ● | | | |
| | 40MAQB24B--3 | | | | | ● | | |
| | 40MAQB30B--3 | | | | | | ● | |
| | 40MAQB36B--3 | | | | | | | ● |
| Cassette | 40MBCQ09--3 | | ● | | | | | |
| | 40MBCQ12--3 | | | ● | | | | |
| | 40MBCQ18--3 | | | | ● | | | |
| | 40MBCQ24--3 | | | | | ● | | |
| | 40MBCQ36--3 | | | | | | ● | |
| | 40MBCQ48--3 | | | | | | | ● |
| Ducted | 40MBDQ09--3 | | ● | | | | | |
| | 40MBDQ12--3 | | | ● | | | | |
| | 40MBDQ18--3 | | | | ● | | | |
| | 40MBDQ24--3 | | | | | ● | | |
| | 40MBDQ36--3 | | | | | | ● | |
| | 40MBDQ48--3 | | | | | | | ● |
| | 40MBDQ58--3 | | | | | | | ● |
| Console | 40MBFQ12--3 | | | ● | | | | |
| | 40MBFQ18--3 | | | | ● | | | |
| | 40MBFQ24--3 | | | | | ● | | |
| | 40MBFQ36--3 | | | | | | ● | |
| | 40MBFQ48--3 | | | | | | | ● |
| | 40MBFQ58--3 | | | | | | | ● |
| FMA4 Fan Coil | FMA4X1800AL | | | ●‡ | ●‡ | | | |
| | FMA4X2400AL | | | | | ●‡ | | |
| | FMA4X3000AL | | | | | | ●‡ | |
| | FMA4X3600AL | | | | | | | ●‡ |
| FMC - FMU Fan Coil | FM(C,U)4Z1800AL | | | ●‡ | ●‡ | | | |
| | FM(C,U)4Z2400AL | | | | | ●‡ | | |
| | FM(C,U)4Z3000AL | | | | | | ●‡ | |
| | FM(C,U)4Z3600AL | | | | | | | ●‡ |
| FV4 Fan Coil | FV4CNF002L | | | ●‡ | ●‡ | ●‡ | | |
| | FV4CN(B,F)003L | | | | | | ●‡ | ●‡ |
| Air Handler | 40MBAAQ24XA3 | | | | | ● | | |
| 80% AFUE Furnace | 58S(B,C)*A045E14**12 | | | A ●‡ | A ●‡ | B ●‡ | C ●‡ | |
| | 58S(B,C)*A070E17**12 | | | | | | | D ●‡ |
| | 58SU*A040E17**12 | | | E ●‡ | E ●‡ | E ●‡ | F ●‡ | |
| | 58SU*A060E17**16 | | | | | | | D ●‡ |
| | 58TP*A045V14**12 | | | A ●‡ | A ●‡ | B ●‡ | C ●‡ | |
| | 58TP*A070V17**16 | | | | | | | D ●‡ |
| 90% AFUE Furnace | 59SU5A040E17**12 | | | E ●‡ | E ●‡ | E ●‡ | F ●‡ | |
| | 59SC2D040E14**10 | | | A ●‡ | A ●‡ | B ●‡ | C ●‡ | |
| | 59SC2D060E17**14 | | | | | | | D ●‡ |
| | 59SC5B026E14**10 | | | A ●‡ | A ●‡ | | | |
| | 59SC5B040E14**10 | | | | | B ●‡ | C ●‡ | |
| | 59TP6B040V14**10 | | | A ●‡ | A ●‡ | B ●‡ | C ●‡ | |

NOTE: The cassette, ducted and console units sizes 36, 48 and 58, compatible only with the 38MBQ/38MBR outdoor units. Backward compatible with 40MBQB*C Cassette, 40MBQB*D Ducted, 40MBQB*F Floor Console Systems

NOTE: ‡ Requires 24V interface KSAIC0301230. TXV on the indoor unit or cased coil shall be removed. 24V Transformer on the 24V interface shall be removed. Consult the Installation instructions manual. The letter indicates compatible cased coil for selected combinations.

| Key | Multi-poise A Coil | Vertical N Coil |
|-----|--------------------|-----------------|
| A | CAP**2414AL* | CNPV*1814AL* |
| B | CAP**2414AL* | CNPV*2414AL* |
| C | CAP**3014AL* | CNPV*3014AL* |
| D | CAP**3617AL* | CNPV*3617AL* |
| E | CAP**2417AL* | CNPV*2417AL* |
| F | CAP**3017AL* | CNPV*3017AL* |

| |
|--|
| Not Available/Compatible Current Models |
|--|

PERFORMANCE

High Wall

| | | | | | | | | | |
|-----------|---------------------------------|-------|--------------|--------------|--------------|--------------|--------------|--------------|--------------|
| High Wall | Indoor Model | | 40MAQB12B--1 | 40MAQB09B--3 | 40MAQB12B--3 | 40MAQB18B--3 | 40MAQB24B--3 | 40MAQB30B--3 | 40MAQB36B--3 |
| | Outdoor Model | | 38MAQB12R--1 | 38MAQB09R--3 | 38MAQB12R--3 | 38MAQB18R--3 | 38MAQB24R--3 | 38MAQB30R--3 | 38MAQB36R--3 |
| | Energy Star | | YES | YES | YES | YES | YES | NO | NO |
| | Cooling System Tons | | 1.0 | 0.8 | 1.0 | 1.4 | 2.0 | 2.5 | 3.0 |
| | Cooling Rated Capacity | Btu/h | 12,000 | 9,000 | 12,000 | 18,000 | 24,000 | 30,000 | 36,000 |
| | Cooling Cap. Range Min-Max | Btu/h | 4,000~13,000 | 3,500~13,000 | 4,000~13,800 | 4,500~18,800 | 5,500~24,500 | 8,000~30,500 | 8,000~36,200 |
| | SEER | | 22.0 | 25.0 | 22.5 | 20.0 | 20.5 | 19.8 | 16.0 |
| | EER | | 13 | 14.5 | 13 | 12.5 | 13 | 11.5 | 8.6 |
| | Heating Rated | Btu/h | 12,000 | 10,900 | 12,000 | 18,000 | 24,000 | 30,000 | 36,000 |
| | Heating Maximum Capacity (17°F) | Btu/h | 7,600 | 10,900 | 12,000 | 18,000 | 24,000 | 18,500 | 21,000 |
| | Heating Maximum Capacity (5°F) | Btu/h | 6,490 | 10,900 | 12,000 | 18,000 | 24,000 | 16,380 | 16,380 |
| | Heating Cap. Range Min-Max | Btu/h | 5,000~13,500 | 4,500~14,500 | 5,000~15,500 | 5,500~24,000 | 6,000~32,000 | 9,000~34,000 | 9,000~37,000 |
| | HSPF | | 10.2 | 11.2 | 12.0 | 10.3 | 11.5 | 9.4 | 8.5 |
| | COP (47°F) | W/W | 3.40 | 3.80 | 3.56 | 3.14 | 3.10 | 2.60 | 2.56 |
| | COP (17°F) | W/W | 2.60 | 2.74 | 2.64 | 2.64 | 2.64 | 2.16 | 2.12 |
| COP (5°F) | W/W | 2.03 | 2.12 | 2.12 | 1.75 | 1.88 | 2.20 | 1.50 | |

Cassette

| | | | | | | |
|----------|---------------------------------|-------|--------------|--------------|--------------|---------------|
| Cassette | Indoor Model | | 40MBCQ09---3 | 40MBCQ12---3 | 40MBCQ18---3 | 40MBCQ24---3 |
| | Outdoor Model | | 38MAQB09R--3 | 38MAQB12R--3 | 38MAQB18R--3 | 38MAQB24R--3 |
| | Energy Star | | YES | YES | YES | NO |
| | Cooling System Tons | | 0.8 | 1.0 | 1.3 | 2.0 |
| | Cooling Rated Capacity | Btu/h | 9,000 | 12,000 | 16,000 | 24,000 |
| | Cooling Cap. Range Min - Max | Btu/h | 3,500~11,000 | 4,000~13,000 | 4,500~18,000 | 8,500~26,500 |
| | SEER | | 20.0 | 19.5 | 20.0 | 20.0 |
| | EER | | 13.0 | 12.5 | 12.5 | 11.0 |
| | Heating Maximum Capacity (17°F) | Btu/h | 9,000 | 12,000 | 18,000 | 24,000 |
| | Heating Maximum Capacity (5°F) | Btu/h | 9,000 | 12,000 | 18,000 | 24,000 |
| | Heating Cap. Range Min - Max | Btu/h | 4,500~11,500 | 5,000~13,500 | 5,500~19,000 | 13,200~32,000 |
| | HSPF | | 10.8 | 10.6 | 10.5 | 11.5 |
| | COP (47°F) | W/W | 3.30 | 3.67 | 3.43 | 3.46 |
| | COP (17°F) | W/W | 2.37 | 2.40 | 2.55 | 2.73 |
| | COP (5°F) | W/W | 1.83 | 1.84 | 2.07 | 1.88 |

Ducted

| | | | | | | |
|------------|---------------------------------|-------|--------------|--------------|--------------|--------------|
| Ducted | Indoor Model | | 40MBDQ09---3 | 40MBDQ12---3 | 40MBDQ18---3 | 40MBDQ24---3 |
| | Outdoor Model | | 38MAQB09R--3 | 38MAQB12R--3 | 38MAQB18R--3 | 38MAQB24R--3 |
| | Energy Star | | YES | YES | YES | YES |
| | Cooling System Tons | | 0.75 | 1.0 | 1.4 | 2.0 |
| | Cooling Rated Capacity | Btu/h | 9,000 | 12,000 | 16,500 | 24,000 |
| | Cooling Cap. Range Min - Max | Btu/h | 3,500~12,000 | 4,000~12,900 | 4,500~18,000 | 5,500~24,500 |
| | SEER | | 23.0 | 20.5 | 20.0 | 20.5 |
| | EER | | 13.5 | 12.5 | 12.5 | 12.5 |
| | Heating Rated Capacity (47°F) | Btu/h | 10,000 | 12,000 | 19,000 | 24,000 |
| | Heating Rated Capacity (17°F) | Btu/h | 7,200 | 8,500 | 13,400 | 17,200 |
| | Heating Maximum Capacity (17°F) | Btu/h | 10,000 | 13,000 | 20,200 | 25,400 |
| | Heating Maximum Capacity (5°F) | Btu/h | 10,000 | 12,000 | 19,000 | 24,000 |
| | Heating Cap. Range Min - Max | Btu/h | 4,000~15,000 | 4,500~15,700 | 5,500~19,000 | 6,000~26,000 |
| | HSPF | | 12.0 | 11.0 | 11.0 | 12.5 |
| | COP (47°F) | W/W | 3.60 | 3.30 | 2.93 | 3.82 |
| COP (17°F) | W/W | 2.92 | 2.36 | 2.71 | 2.56 | |
| COP (5°F) | W/W | 1.91 | 1.79 | 1.75 | 1.83 | |

NOTE: For information on sizes 36 to 58, refer to the 38MBQ or 38MBR product data document.

PERFORMANCE (CONT)

Console

| | | | | | |
|---------|---------------------------------|-------|--------------|---------------|---------------|
| Console | Indoor Model | | 40MBFQ12---3 | 40MBFQ18---3 | 40MBFQ24---3 |
| | Outdoor Model | | 38MAQB12R--3 | 38MAQB18R--3 | 38MAQB24R--3 |
| | Energy Star | | YES | YES | NO |
| | Cooling System Tons | | 1.0 | 1.4 | 2.0 |
| | Cooling Rated Capacity | Btu/h | 12,000 | 17,000 | 24,000 |
| | Cooling Cap. Range Min - Max | Btu/h | 4,000~13,000 | 6,830-19,800 | 8,000-28,150 |
| | SEER | | 19.4 | 19.9 | 20.0 |
| | EER | | 12.5 | 12.5 | 11.5 |
| | Heating Maximum Capacity (17°F) | Btu/h | 12,000 | 21,500 | 26,600 |
| | Heating Maximum Capacity (5°F) | Btu/h | 12,000 | 21,300 | 26,560 |
| | Heating Cap. Range Min - Max | Btu/h | 5,000~13,500 | 12,900-29,000 | 20,500-36,750 |
| | HSPF | | 10.5 | 10.6 | 11.5 |
| | COP (47°F) | W/W | 3.17 | 3.48 | 3.52 |
| | COP (17°F) | W/W | 2.49 | 2.38 | 2.82 |
| | COP (5°F) | W/W | 1.76 | 1.77 | 1.81 |

Air Handler

| | | | |
|-------------|---------------------------------|-------|--------------|
| AIR HANDLER | INDOOR MODEL | | 40MBAAQ24XA3 |
| | OUTDOOR MODEL | | 38MAQB24R--3 |
| | Energy Star | | YES |
| | Cooling System Tons | | 1.7 |
| | Cooling Rated Capacity | Btu/h | 20,800 |
| | Cooling Cap. Range Min - Max | Btu/h | 6,000~23,000 |
| | SEER | | 20.0 |
| | EER | | 12.5 |
| | Heating Rated Capacity (47°F) | Btu/h | 29,000 |
| | Heating Rated Capacity (17°F) | Btu/h | 17,500 |
| | Heating Maximum Capacity (17°F) | Btu/h | 29,700 |
| | Heating Maximum Capacity (5°F) | Btu/h | 26,970 |
| | Heating Cap. Range Min - Max | Btu/h | 6,000~30,000 |
| | HSPF | | 10.0 |
| | COP (47°F) | W/W | 3.48 |
| | COP (17°F) | W/W | 2.30 |
| | COP (5°F) | W/W | 2.10 |

PERFORMANCE (CONT)

FMA4 Fan Coil

| | | | | | | | |
|--------------------------|---------------------------------|-------|---------------------|---------------------|---------------------|---------------------|---------------------|
| FMA4 Fan Coil | Indoor Model | | FMA4X1800AL1 | FMA4X1800AL1 | FMA4X2400AL1 | FMA4X3000AL1 | FMA4X3600AL1 |
| | Outdoor Model | | 38MAQB12R--3 | 38MAQB18R--3 | 38MAQB24R--3 | 38MAQB30R--3 | 38MAQB36R--3 |
| | Energy Star | | NO | NO | NO | NO | NO |
| | Cooling System Tons | | 1.0 | 1.4 | 1.9 | 2.4 | 2.8 |
| | Cooling Rated Capacity | Btu/h | 11,800 | 17,200 | 23,000 | 29,200 | 34,000 |
| | Cooling Cap. Range Min - Max | Btu/h | 6,400~17,000 | 8,500~28,000 | 7,900~36,500 | 10,000~38,500 | 10,500~43,500 |
| | SEER | | 17.6 | 15.5 | 14.5 | 16.5 | 14.5 |
| | EER | | 12.25 | 10.9 | 11 | 11.3 | 9 |
| | Heating Rated Capacity (47°F) | Btu/h | 12,200 | 17,800 | 24,000 | 30,200 | 37,000 |
| | Heating Rated Capacity (17°F) | Btu/h | 7,600 | 10,800 | 15,800 | 21,200 | 22,200 |
| | Heating Maximum Capacity (17°F) | Btu/h | 14,100 | 23,100 | 28,900 | 25,200 | 20,700 |
| | Heating Maximum Capacity (5°F) | Btu/h | 9,900 | 17,800 | 28,700 | 22,400 | 19,900 |
| | Heating Cap. Range Min - Max | Btu/h | 4,000~14,800 | 7,800~23,000 | 11,600~36,500 | 10,500~33,500 | 10,900~36,500 |
| | HSPF | | 9.7 | 9.8 | 9.5 | 11.0 | 8.7 |
| | COP (47°F) | W/W | 4.10 | 4.00 | 3.80 | 3.00 | 3.30 |
| | COP (17°F) | W/W | 2.65 | 2.50 | 2.75 | 2.75 | 1.75 |
| COP (5°F) | W/W | 2.17 | 2.10 | 2.30 | 2.55 | 1.98 | |

FMC - FMU Fan Coil

| | | | | | | | |
|-------------------------------|---------------------------------|-------|-------------------------|-------------------------|-------------------------|-------------------------|-------------------------|
| FMC - FMU Fan Coil | Indoor Model | | FM(C,U)4Z1800AL1 | FM(C,U)4Z1800AL1 | FM(C,U)4Z2400AL1 | FM(C,U)4Z3000AL1 | FM(C,U)4Z3600AL1 |
| | Outdoor Model | | 38MAQB12R--3 | 38MAQB18R--3 | 38MAQB24R--3 | 38MAQB30R--3 | 38MAQB36R--3 |
| | Energy Star | | NO | NO | NO | NO | NO |
| | Cooling System Tons | | 1.0 | 1.5 | 1.9 | 2.4 | 2.9 |
| | Cooling Rated Capacity | Btu/h | 11,800 | 17,600 | 23,000 | 28,600 | 35,000 |
| | Cooling Cap. Range Min - Max | Btu/h | 5,000~18,000 | 7,000~29,000 | 9,300~37,000 | 9,600~38,500 | 8,700~46,000 |
| | SEER | | 18.4 | 19.0 | 20.0 | 18.0 | 16.0 |
| | EER | | 11.6 | 11 | 12.2 | 11.1 | 9 |
| | Heating Rated Capacity (47°F) | Btu/h | 11,800 | 17,400 | 23,200 | 30,000 | 36,000 |
| | Heating Rated Capacity (17°F) | Btu/h | 7,400 | 12,200 | 15,000 | 20,200 | 19,000 |
| | Heating Maximum Capacity (17°F) | Btu/h | 14,000 | 23,700 | 28,400 | 24,400 | 26,500 |
| | Heating Maximum Capacity (5°F) | Btu/h | 9,400 | 19,500 | 28,400 | 21,600 | 19,000 |
| | Heating Cap. Range Min - Max | Btu/h | 4,100~15,500 | 9,000~24,000 | 9,300~35,000 | 9,000~39,000 | 10,800~36,500 |
| | HSPF | | 8.2 | 10.3 | 11.2 | 10.8 | 9.0 |
| | COP (47°F) | W/W | 4.36 | 3.78 | 3.74 | 3.33 | 3.30 |
| | COP (17°F) | W/W | 2.86 | 2.76 | 2.74 | 2.58 | 2.35 |
| COP (5°F) | W/W | 1.96 | 2.18 | 2.19 | 2.40 | 2.00 | |

PERFORMANCE (CONT)

FV4 Fan Coil

| | INDOOR MODEL | | FV4CN(B,F)002L | FV4CN(B,F)002L | FV4CN(B,F)002L | FV4CN(B,F)003L | FV4CN(B,F)003L |
|-----------------|--------------------------------|-------|----------------|----------------|----------------|----------------|----------------|
| | OUTDOOR MODEL | | 38MAQB12R--3 | 38MAQB18R--3 | 38MAQB24R--3 | 38MAQB30R--3 | 38MAQB36R--3 |
| FV4 FAN COIL | Energy Star | | NO | NO | NO | NO | NO |
| | Cooling System Tons | | 0.9 | 1.5 | 1.9 | 2.4 | 2.9 |
| | Cooling Rated Capacity | Btu/h | 11,200 | 17,800 | 23,000 | 28,800 | 34,600 |
| | Cooling Cap. Range Min - Max | Btu/h | 5,900~17,090 | 9,200~27,650 | 8,400~33,670 | 10,800~27,650 | 11,600~40,610 |
| | SEER | | 18.0 | 18.0 | 17.0 | 17.5 | 15.5 |
| | EER | | 12.0 | 11.5 | 11.5 | 11.0 | 8.8 |
| | Heating Rated Capacity (47°F) | Btu/h | 10,400 | 18,600 | 23,600 | 29,200 | 37,800 |
| | Heating Rated Capacity (17°F) | Btu/h | 6,400 | 11,000 | 14,000 | 20,200 | 21,200 |
| | Heating Maximum Capacity(17°F) | Btu/h | 16,440 | 18,600 | 23,910 | 23,910 | 25,710 |
| | Heating Maximum Capacity (5°F) | Btu/h | 11,710 | 15,960 | 23,890 | 22,400 | 19,900 |
| | Heating Cap. Range Min - Max | Btu/h | 3,700~17,800 | 7,500~20,300 | 11,900~32,580 | 9,300~33,500 | 12,200~36,500 |
| | HSPF | | 10.0 | 10.0 | 10.5 | 10.5 | 8.7 |
| | COP (47°F) | W/W | 3.60 | 3.65 | 3.85 | 3.15 | 3.05 |
| | COP (17°F) | W/W | 2.50 | 2.50 | 2.70 | 2.50 | 2.15 |
| | COP (5°F) | W/W | 2.15 | 3.02 | 2.59 | 2.55 | 1.98 |

PERFORMANCE (CONT)

FX4D Fan Coil

| Heat Pump Systems | | 12K | 18K | 24K | 30K | 36K |
|--|---------|--------------|--------------|---------------|---------------|---------------|
| Indoor Model Voltage | | (208/230V) | (208/230V) | (208/230V) | (208/230V) | (208/230V) |
| | | FX4DNF019L00 | FX4DNF019L00 | FX4DNF025L00 | FX4DNF031L00 | FX4DNF037L00 |
| Outdoor Model Number | | 38MAQB12R--3 | 38MAQB18R--3 | 38MAQB24R--3 | 38MAQB30R--3 | 38MAQB36R--3 |
| Cooling Rated Capacity (DOE A2 - 950°F) | Btu/h | 12,700 | 18,700 | 24,600 | 29,200 | 36,600 |
| EER (DOE A2 - 950°F) | Btu/h.W | 13.45 | 11.90 | 11.95 | 11.95 | 9.15 |
| Cooling Rated Capacity (DOE B2 - 820°F) | Btu/h | 13,900 | 19,900 | 26,600 | 30,800 | 39,000 |
| EER (DOE B2 - 820°F) | Btu/h.W | 17.20 | 14.80 | 15.00 | 14.60 | 11.05 |
| Cooling Capacity Range | Btu/h | 5,800~15,850 | 8,500~22,700 | 7,200~30,300 | 10,200~35,100 | 8,300~44,450 |
| SEER | Btu/h.W | 20.50 | 17.50 | 15.00 | 17.50 | 15.00 |
| Heating Rated Capacity (DOE H12 - 470°F) | Btu/h | 12,400 | 18,000 | 24,200 | 30,200 | 36,800 |
| COP (DOE H12 - 470°F) | W/W | 4.32 | 4.28 | 3.92 | 3.08 | 3.32 |
| Heating Rated Capacity (DOE H32 - 170°F) | Btu/h | 7,900 | 11,200 | 16,400 | 21,600 | 22,400 |
| COP (DOE H32 - 170°F) | W/W | 2.80 | 2.64 | 2.86 | 2.70 | 2.68 |
| Heating Capacity Range | Btu/h | 3,800~13,500 | 7,400~19,600 | 11,100~28,100 | 9,700~32,900 | 10,300~40,350 |
| HSPF | Btu/h.W | 9.50 | 9.50 | 11.00 | 11.50 | 9.00 |

FB4C Fan Coil

| Heat Pump Systems | | 12K | 18K | 24K | 30K |
|--|---------|--------------|--------------|---------------|---------------|
| Indoor Model Voltage | | (208/230V) | (208/230V) | (208/230V) | (208/230V) |
| | | FB4CNF018L00 | FB4CNF018L00 | FB4CNF024L00 | FB4CNF030L00 |
| Outdoor Model Number | | 38MAQB12R--3 | 38MAQB18R--3 | 38MAQB24R--3 | 38MAQB30R--3 |
| Cooling Rated Capacity (DOE A2 - 950°F) | Btu/h | 12,500 | 18,400 | 24,000 | 29,400 |
| EER (DOE A2 - 950°F) | Btu/h.W | 13.10 | 11.65 | 11.65 | 11.85 |
| Cooling Rated Capacity (DOE B2 - 820°F) | Btu/h | 13,700 | 19,600 | 25,800 | 31,000 |
| EER (DOE B2 - 820°F) | Btu/h.W | 16.65 | 14.50 | 14.60 | 14.50 |
| Cooling Capacity Range | Btu/h | 5,800~15,600 | 8,500~22,350 | 7,000~29,400 | 10,200~35,350 |
| SEER | Btu/h.W | 19.50 | 17.00 | 14.50 | 17.00 |
| Heating Rated Capacity (DOE H12 - 470°F) | Btu/h | 12,600 | 18,400 | 24,600 | 30,800 |
| COP (DOE H12 - 470°F) | W/W | 4.24 | 4.24 | 3.76 | 3.14 |
| Heating Rated Capacity (DOE H32 - 170°F) | Btu/h | 8,000 | 11,300 | 16,600 | 22,000 |
| COP (DOE H32 - 170°F) | W/W | 2.74 | 2.60 | 2.74 | 2.70 |
| Heating Capacity Range | Btu/h | 3,900~13,750 | 7,500~20,050 | 11,300~28,550 | 9,900~33,550 |
| HSPF | Btu/h.W | 9.50 | 9.50 | 10.50 | 12.00 |

PERFORMANCE (CONT)

58S(B,C) Furnace with CAP Evaporator Coil

| Heat Pump Systems | | 12K | 18K | 24K | 30K | 36K |
|--|---------|----------------------|----------------------|----------------------|----------------------|----------------------|
| Indoor Model Voltage | | 115V | 115V | 115V | 115V | 115V |
| | | 58S(B,C)*A045E14**12 | 58S(B,C)*A045E14**12 | 58S(B,C)*A045E14**12 | 58S(B,C)*A045E14**12 | 58S(B,C)*A070E17**12 |
| Outdoor Model Number | | 38MAQB12R--3 | 38MAQB18R--3 | 38MAQB24R--3 | 38MAQB30R--3 | 38MAQB36R--3 |
| Cased Coil | | CAP**2414AL* | CAP**2414AL* | CAP**2414AL* | CAP**3014AL* | CAP**3617AL* |
| Cooling Rated Capacity (DOE A2 - 950°F) | Btu/h | 12,400 | 18,200 | 24,800 | 29,600 | 35,400 |
| EER (DOE A2 - 950°F) | Btu/h.W | 13.35 | 11.70 | 11.85 | 11.60 | 8.85 |
| Cooling Rated Capacity (DOE B2 - 820°F) | Btu/h | 13,600 | 19,400 | 26,800 | 31,200 | 37,800 |
| EER (DOE B2 - 820°F) | Btu/h.W | 17.00 | 14.55 | 14.85 | 14.15 | 10.70 |
| Cooling Capacity Range | Btu/h | 5,800~15,500 | 8,400~22,100 | 7,200~30,550 | 10,200~35,550 | 8,100~43,100 |
| SEER | Btu/h.W | 20.50 | 17.00 | 15.00 | 16.50 | 14.00 |
| Heating Rated Capacity (DOE H12 - 470°F) | Btu/h | 12,500 | 18,200 | 24,600 | 31,000 | 38,000 |
| COP (DOE H12 - 470°F) | W/W | 4.28 | 4.20 | 4.04 | 3.18 | 3.20 |
| Heating Rated Capacity (DOE H32 - 170°F) | Btu/h | 7,900 | 11,200 | 16,600 | 22,200 | 23,000 |
| COP (DOE H32 - 170°F) | W/W | 2.78 | 2.62 | 2.86 | 2.68 | 2.62 |
| Heating Capacity Range | Btu/h | 3,800~13,650 | 7,400~19,850 | 11,400~28,800 | 10,200~33,800 | 10,600~41,400 |
| HSPF | Btu/h.W | 9.50 | 9.50 | 11.00 | 11.50 | 8.50 |

58S(B,C) Furnace with CNPV Evaporator Coil

| Heat Pump Systems | | 12K | 18K | 24K | 30K | 36K |
|--|---------|----------------------|----------------------|----------------------|----------------------|----------------------|
| Indoor Model Voltage | | (115V or 208/230V) | (115 V or 208/230 V) | (115 V or 208/230 V) | (115 V or 208/230 V) | (115 V or 208/230 V) |
| | | 58S(B,C)*A045E14**12 | 58S(B,C)*A045E14**12 | 58S(B,C)*A045E14**12 | 58S(B,C)*A045E14**12 | 58S(B,C)*A070E17**12 |
| Outdoor Model Number | | 38MAQB12R--3 | 38MAQB18R--3 | 38MAQB24R--3 | 38MAQB30R--3 | 38MAQB36R--3 |
| Cased Coil | | CNPV*1814AL* | CNPV*1814AL* | CNPV*2414AL* | CNPV*3014AL* | CNPV*3617AL* |
| Cooling Rated Capacity (DOE A2 - 950°F) | Btu/h | 12,300 | 18,000 | 24,800 | 29,600 | 35,200 |
| EER (DOE A2 - 950°F) | Btu/h.W | 13.10 | 11.55 | 11.85 | 11.60 | 8.80 |
| Cooling Rated Capacity (DOE B2 - 820°F) | Btu/h | 13,500 | 19,100 | 26,800 | 31,200 | 37,600 |
| EER (DOE B2 - 820°F) | Btu/h.W | 16.70 | 14.35 | 14.80 | 14.10 | 10.65 |
| Cooling Capacity Range | Btu/h | 5,700~15,400 | 8,300~21,750 | 7,200~30,550 | 10,100~35,550 | 8,100~42,850 |
| SEER | Btu/h.W | 19.50 | 17.00 | 15.00 | 16.00 | 14.00 |
| Heating Rated Capacity (DOE H12 - 470°F) | Btu/h | 12,600 | 18,400 | 24,600 | 31,000 | 38,000 |
| COP (DOE H12 - 470°F) | W/W | 4.26 | 4.16 | 4.12 | 3.16 | 3.18 |
| Heating Rated Capacity (DOE H32 - 170°F) | Btu/h | 7,900 | 11,300 | 16,600 | 22,200 | 23,200 |
| COP (DOE H32 - 170°F) | W/W | 2.78 | 2.62 | 2.94 | 2.68 | 2.60 |
| Heating Capacity Range | Btu/h | 3,900~13,750 | 7,400~20,050 | 11,500~28,800 | 10,200~33,800 | 10,600~41,950 |
| HSPF | Btu/h.W | 9.50 | 9.50 | 11.00 | 11.00 | 8.20 |

PERFORMANCE (CONT)

58SU Furnace with CAP Evaporator Coil

| Heat Pump Systems | | 12K | 18K | 24K | 30K | 36K |
|--|---------|--------------------|--------------------|--------------------|--------------------|--------------------|
| Indoor Model Voltage | | (115V or 208/230V) | (115V or 208/230V) | (115V or 208/230V) | (115V or 208/230V) | (115V or 208/230V) |
| | | 58SU*A040E17**12 | 58SU*A040E17**12 | 58SU*A040E17**12 | 58SU*A040E17**12 | 58SU*A060E17**16 |
| Outdoor Model Number | | 38MAQB12R--3 | 38MAQB18R--3 | 38MAQB24R--3 | 38MAQB30R--3 | 38MAQB36R--3 |
| Cased Coil | | CAP**2417AL* | CAP**2417AL* | CAP**2417AL* | CAP**3017AL* | CAP**3617AL* |
| Cooling Rated Capacity (DOE A2 - 950°F) | Btu/h | 12,300 | 18,000 | 24,600 | 29,600 | 36,000 |
| EER (DOE A2 - 950°F) | Btu/h.W | 13.50 | 11.75 | 12.00 | 12.00 | 8.95 |
| Cooling Rated Capacity (DOE B2 - 820°F) | Btu/h | 13,500 | 19,100 | 26,400 | 31,200 | 38,500 |
| EER (DOE B2 - 820°F) | Btu/h.W | 17.30 | 14.55 | 15.00 | 14.65 | 10.80 |
| Cooling Capacity Range | Btu/h | 5,700~15,400 | 8,300~21,750 | 7,200~30,100 | 10,400~35,550 | 8,300~43,900 |
| SEER | Btu/h.W | 21.50 | 17.50 | 15.00 | 17.50 | 14.00 |
| Heating Rated Capacity (DOE H12 - 470°F) | Btu/h | 12,400 | 18,000 | 24,400 | 30,600 | 38,000 |
| COP (DOE H12 - 470°F) | W/W | 4.26 | 4.12 | 3.98 | 3.18 | 3.30 |
| Heating Rated Capacity (DOE H32 - 170°F) | Btu/h | 7,800 | 11,100 | 16,500 | 21,800 | 23,000 |
| COP (DOE H32 - 170°F) | W/W | 2.80 | 2.60 | 2.86 | 2.72 | 2.66 |
| Heating Capacity Range | Btu/h | 3,800~13,500 | 7,300~19,600 | 11,300~28,550 | 9,900~33,350 | 10,600~41,400 |
| HSPF | Btu/h.W | 10.00 | 9.50 | 11.00 | 12.00 | 8.50 |

58SU Furnace with CNPV Evaporator Coil

| Heat Pump Systems | | 12K | 18K | 24K | 30K | 36K |
|--|---------|--------------------|--------------------|--------------------|--------------------|--------------------|
| Indoor Model Voltage | | (115V or 208/230V) | (115V or 208/230V) | (115V or 208/230V) | (115V or 208/230V) | (115V or 208/230V) |
| | | 58SU*A040E17**12 | 58SU*A040E17**12 | 58SU*A040E17**12 | 58SU*A040E17**12 | 58SU*A060E17**16 |
| Outdoor Model Number | | 38MAQB12R--3 | 38MAQB18R--3 | 38MAQB24R--3 | 38MAQB30R--3 | 38MAQB36R--3 |
| Cased Coil | | CNPV*2417AL* | CNPV*2417AL* | CNPV*2417AL* | CNPV*3017AL* | CNPV*3617AL* |
| Cooling Rated Capacity (DOE A2 - 950°F) | Btu/h | 12,300 | 17,900 | 24,400 | 29,600 | 35,800 |
| EER (DOE A2 - 950°F) | Btu/h.W | 13.45 | 11.70 | 11.90 | 12.00 | 8.90 |
| Cooling Rated Capacity (DOE B2 - 820°F) | Btu/h | 13,400 | 19,000 | 26,200 | 31,200 | 38,500 |
| EER (DOE B2 - 820°F) | Btu/h.W | 17.20 | 14.50 | 14.90 | 14.65 | 10.75 |
| Cooling Capacity Range | Btu/h | 5,700~15,300 | 8,200~21,650 | 7,200~29,850 | 10,300~35,550 | 8,200~43,900 |
| SEER | Btu/h.W | 21.00 | 17.50 | 15.00 | 17.50 | 14.00 |
| Heating Rated Capacity (DOE H12 - 470°F) | Btu/h | 12,400 | 18,000 | 24,600 | 30,600 | 38,500 |
| COP (DOE H12 - 470°F) | W/W | 4.30 | 4.12 | 4.02 | 3.18 | 3.28 |
| Heating Rated Capacity (DOE H32 - 170°F) | Btu/h | 7,800 | 11,100 | 16,500 | 21,800 | 23,200 |
| COP (DOE H32 - 170°F) | W/W | 2.86 | 2.64 | 2.92 | 2.74 | 2.64 |
| Heating Capacity Range | Btu/h | 3,800~13,500 | 7,300~19,600 | 11,300~28,550 | 9,900~33,350 | 10,700~41,950 |
| HSPF | Btu/h.W | 9.50 | 9.50 | 11.00 | 11.50 | 8.20 |

PERFORMANCE (CONT)

58TP Furnace with CAP Evaporator Coil

| Heat Pump Systems | | 12K | 18K | 24K | 30K | 36K |
|--|---------|--------------------|--------------------|--------------------|--------------------|--------------------|
| Indoor Model Voltage | | (115V or 208/230V) | (115V or 208/230V) | (115V or 208/230V) | (115V or 208/230V) | (115V or 208/230V) |
| | | 58TP*A045V14**12 | 58TP*A045V14**12 | 58TP*A045V14**12 | 58TP*A045V14**12 | 58TP*A070V17**16 |
| Outdoor Model Number | | 38MAQB12R--3 | 38MAQB18R--3 | 38MAQB24R--3 | 38MAQB30R--3 | 38MAQB36R--3 |
| Cased Coil | | CAP**2414AL* | CAP**2414AL* | CAP**2414AL* | CAP**3014AL* | CAP**3617AL* |
| Cooling Rated Capacity (DOE A2 - 950°F) | Btu/h | 12,400 | 18,100 | 24,600 | 29,400 | 35,600 |
| EER (DOE A2 - 950°F) | Btu/h.W | 13.35 | 11.70 | 11.85 | 11.75 | 8.90 |
| Cooling Rated Capacity (DOE B2 - 820°F) | Btu/h | 13,600 | 19,300 | 26,400 | 31,000 | 38,000 |
| EER (DOE B2 - 820°F) | Btu/h.W | 17.05 | 14.55 | 14.85 | 14.30 | 10.75 |
| Cooling Capacity Range | Btu/h | 5,700~15,500 | 8,400~22,000 | 7,200~30,100 | 10,200~35,350 | 8,200~43,300 |
| SEER | Btu/h.W | 20.50 | 17.00 | 15.00 | 16.50 | 14.00 |
| Heating Rated Capacity (DOE H12 - 470°F) | Btu/h | 12,500 | 18,200 | 24,600 | 30,800 | 38,000 |
| COP (DOE H12 - 470°F) | W/W | 4.26 | 4.18 | 3.98 | 3.12 | 3.24 |
| Heating Rated Capacity (DOE H32 - 170°F) | Btu/h | 7,900 | 11,200 | 16,600 | 22,000 | 23,000 |
| COP (DOE H32 - 170°F) | W/W | 2.78 | 2.60 | 2.86 | 2.68 | 2.64 |
| Heating Capacity Range | Btu/h | 3,800~13,650 | 7,400~19,850 | 11,400~28,550 | 10,000~33,550 | 10,600~41,400 |
| HSPF | Btu/h.W | 9.50 | 9.50 | 11.00 | 11.50 | 8.50 |

58TP Furnace with CNPV Evaporator Coil

| Heat Pump Systems | | 12K | 18K | 24K | 30K | 36K |
|--|---------|--------------------|--------------------|--------------------|--------------------|--------------------|
| Indoor Model Voltage | | (115V or 208/230V) | (115V or 208/230V) | (115V or 208/230V) | (115V or 208/230V) | (115V or 208/230V) |
| | | 58TP*A045V14**12 | 58TP*A045V14**12 | 58TP*A045V14**12 | 58TP*A045V14**12 | 58TP*A070V17**16 |
| Outdoor Model Number | | 38MAQB12R--3 | 38MAQB18R--3 | 38MAQB24R--3 | 38MAQB30R--3 | 38MAQB36R--3 |
| Cased Coil | | CNPV*1814AL* | CNPV*1814AL* | CNPV*2414AL* | CNPV*3014AL* | CNPV*3617AL* |
| Cooling Rated Capacity (DOE A2 - 950°F) | Btu/h | 12,200 | 17,900 | 24,600 | 29,400 | 35,400 |
| EER (DOE A2 - 950°F) | Btu/h.W | 13.15 | 11.55 | 11.80 | 11.70 | 8.85 |
| Cooling Rated Capacity (DOE B2 - 820°F) | Btu/h | 13,400 | 19,000 | 26,400 | 30,800 | 37,800 |
| EER (DOE B2 - 820°F) | Btu/h.W | 16.75 | 14.30 | 14.80 | 14.25 | 10.70 |
| Cooling Capacity Range | Btu/h | 5,700~15,300 | 8,200~21,650 | 7,200~30,100 | 10,100~35,100 | 8,200~43,100 |
| SEER | Btu/h.W | 19.50 | 15.00 | 15.00 | 16.50 | 14.00 |
| Heating Rated Capacity (DOE H12 - 470°F) | Btu/h | 12,600 | 18,300 | 24,600 | 30,600 | 38,000 |
| COP (DOE H12 - 470°F) | W/W | 4.24 | 4.14 | 4.04 | 3.12 | 3.22 |
| Heating Rated Capacity (DOE H32 - 170°F) | Btu/h | 7,900 | 11,300 | 16,600 | 22,000 | 23,200 |
| COP (DOE H32 - 170°F) | W/W | 2.78 | 2.60 | 2.92 | 2.68 | 2.62 |
| Heating Capacity Range | Btu/h | 3,800~13,750 | 7,400~19,950 | 11,400~28,550 | 10,000~33,350 | 10,600~41,950 |
| HSPF | Btu/h.W | 9.50 | 9.50 | 11.00 | 11.00 | 8.20 |

PERFORMANCE (CONT)

59SC2 Furnace with CAP Evaporator Coil

| Heat Pump Systems | | 12K | 18K | 24K | 30K | 36K |
|---|---------|--------------------|--------------------|--------------------|--------------------|--------------------|
| Indoor Model Voltage | | (115V or 208/230V) | (115V or 208/230V) | (115V or 208/230V) | (115V or 208/230V) | (115V or 208/230V) |
| | | 59SC2D040E14**10 | 59SC2D040E14**10 | 59SC2D040E14**10 | 59SC2D040E14**10 | 59SC2D060E17**14 |
| Outdoor Model Number | | 38MAQB12R--3 | 38MAQB18R--3 | 38MAQB24R--3 | 38MAQB30R--3 | 38MAQB36R--3 |
| Cased Coil | | CAP**2414AL* | CAP**2414AL* | CAP**2414AL* | CAP**3014AL* | CAP**3617AL* |
| Cooling Rated Capacity (DOE A2 - 95°F) | Btu/h | 12,100 | 17,700 | 24,600 | 29,200 | 35,600 |
| EER (DOE A2 - 95°F) | Btu/h.W | 13.00 | 11.40 | 11.55 | 11.30 | 8.90 |
| Cooling Rated Capacity (DOE B2 - 82°F) | Btu/h | 13,300 | 18,800 | 26,600 | 30,800 | 37,800 |
| EER (DOE B2 - 82°F) | Btu/h.W | 16.55 | 14.15 | 14.40 | 13.75 | 10.75 |
| Cooling Capacity Range | Btu/h | 5,600~15,150 | 8,100~21,450 | 7,000~30,300 | 9,900~35,100 | 8,200~43,100 |
| SEER | Btu/h.W | 19.00 | 16.50 | 14.50 | 15.00 | 14.50 |
| Heating Rated Capacity (DOE H12 - 47°F) | Btu/h | 12,400 | 18,000 | 24,800 | 31,000 | 37,800 |
| COP (DOE H12 - 47°F) | W/W | 4.10 | 4.00 | 3.94 | 3.08 | 3.24 |
| Heating Rated Capacity (DOE H32 - 17°F) | Btu/h | 7,900 | 11,200 | 16,800 | 22,200 | 23,000 |
| COP (DOE H32 - 17°F) | W/W | 2.74 | 2.54 | 2.80 | 2.62 | 2.64 |
| Heating Capacity Range | Btu/h | 3,800~13,500 | 7,300~19,600 | 11,600~28,800 | 10,300~33,800 | 10,500~41,400 |
| HSPF | Btu/h.W | 9.50 | 9.50 | 11.00 | 10.50 | 8.50 |

59SC2 Furnace with CNPV Evaporator Coil

| Heat Pump Systems | | 12K | 18K | 24K | 30K | 36K |
|---|---------|--------------------|--------------------|--------------------|--------------------|--------------------|
| Indoor Model Voltage | | (115V or 208/230V) | (115V or 208/230V) | (115V or 208/230V) | (115V or 208/230V) | (115V or 208/230V) |
| | | 59SC2D040E14**10 | 59SC2D040E14**10 | 59SC2D040E14**10 | 59SC2D040E14**10 | 59SC2D060E17**14 |
| Outdoor Model Number | | 38MAQB12R--3 | 38MAQB18R--3 | 38MAQB24R--3 | 38MAQB30R--3 | 38MAQB36R--3 |
| Cased Coil | | CNPV*1814AL* | CNPV*1814AL* | CNPV*2414AL* | CNPV*3014AL* | CNPV*3617AL* |
| Cooling Rated Capacity (DOE A2 - 95°F) | Btu/h | 12,000 | 17,400 | 24,600 | 29,200 | 35,400 |
| EER (DOE A2 - 95°F) | Btu/h.W | 12.80 | 11.25 | 11.55 | 11.30 | 8.90 |
| Cooling Rated Capacity (DOE B2 - 82°F) | Btu/h | 13,100 | 18,500 | 26,600 | 30,800 | 37,800 |
| EER (DOE B2 - 82°F) | Btu/h.W | 16.30 | 13.95 | 14.40 | 13.75 | 10.75 |
| Cooling Capacity Range | Btu/h | 5,500~14,950 | 8,100~21,100 | 7,000~30,300 | 9,900~35,100 | 8,200~43,100 |
| SEER | Btu/h.W | 18.50 | 16.00 | 14.50 | 15.00 | 14.00 |
| Heating Rated Capacity (DOE H12 - 47°F) | Btu/h | 12,500 | 18,200 | 24,800 | 31,000 | 38,000 |
| COP (DOE H12 - 47°F) | W/W | 4.08 | 3.96 | 4.04 | 3.06 | 3.20 |
| Heating Rated Capacity (DOE H32 - 17°F) | Btu/h | 7,900 | 11,300 | 16,800 | 22,200 | 23,000 |
| COP (DOE H32 - 17°F) | W/W | 2.74 | 2.54 | 2.88 | 2.62 | 2.62 |
| Heating Capacity Range | Btu/h | 3,800~13,650 | 7,300~19,850 | 11,600~29,000 | 10,300~33,800 | 10,600~41,400 |
| HSPF | Btu/h.W | 9.00 | 9.00 | 10.50 | 10.50 | 8.20 |

PERFORMANCE (CONT)

59SC5 Furnace with CAP Evaporator Coil

| Heat Pump Systems | | 12K | 18K | 24K | 30K |
|--|---------|--------------------|--------------------|--------------------|--------------------|
| Indoor Model Voltage | | (115V or 208/230V) | (115V or 208/230V) | (115V or 208/230V) | (115V or 208/230V) |
| | | 59SC5B026E14**10 | 59SC5B026E14**10 | 59SC5B040E14**10 | 59SC5B040E14**10 |
| Outdoor Model Number | | 38MAQB12R--3 | 38MAQB18R--3 | 38MAQB24R--3 | 38MAQB30R--3 |
| Cased Coil | | CAP**2414AL* | CAP**2414AL* | CAP**2414AL* | CAP**3014AL* |
| Cooling Rated Capacity (DOE A2 - 950°F) | Btu/h | 12,500 | 18,300 | 24,400 | 29,200 |
| EER (DOE A2 - 950°F) | Btu/h.W | 13.15 | 11.65 | 11.55 | 11.25 |
| Cooling Rated Capacity (DOE B2 - 820°F) | Btu/h | 13,700 | 19,500 | 26,400 | 30,800 |
| EER (DOE B2 - 820°F) | Btu/h.W | 16.70 | 14.45 | 14.40 | 13.65 |
| Cooling Capacity Range | Btu/h | 5,800~15,600 | 8,400~22,250 | 7,000~30,100 | 9,900~35,100 |
| SEER | Btu/h.W | 19.50 | 16.50 | 14.50 | 15.00 |
| Heating Rated Capacity (DOE H12 - 470°F) | Btu/h | 12,600 | 18,300 | 24,800 | 31,000 |
| COP (DOE H12 - 470°F) | W/W | 4.26 | 4.24 | 3.90 | 3.08 |
| Heating Rated Capacity (DOE H32 - 170°F) | Btu/h | 8,000 | 11,300 | 16,700 | 22,400 |
| COP (DOE H32 - 170°F) | W/W | 2.76 | 2.62 | 2.80 | 2.62 |
| Heating Capacity Range | Btu/h | 5,700~15,400 | 8,300~22,000 | 7,000~30,100 | 9,800~35,100 |
| HSPF | Btu/h.W | 9.50 | 9.50 | 11.00 | 11.00 |

59SC5 Furnace with CNPV Evaporator Coil

| Heat Pump Systems | | 12K | 18K | 24K | 30K |
|--|---------|--------------------|--------------------|--------------------|--------------------|
| Indoor Model Voltage | | (115V or 208/230V) | (115V or 208/230V) | (115V or 208/230V) | (115V or 208/230V) |
| | | 59SC5B026E14**10 | 59SC5B026E14**10 | 59SC5B040E14**10 | 59SC5B040E14**10 |
| Outdoor Model Number | | 38MAQB12R--3 | 38MAQB18R--3 | 38MAQB24R--3 | 38MAQB30R--3 |
| Cased Coil | | CNPV*1814AL* | CNPV*1814AL* | CNPV*2414AL* | CNPV*3014AL* |
| Cooling Rated Capacity (DOE A2 - 950°F) | Btu/h | 12,300 | 18,100 | 24,400 | 29,200 |
| EER (DOE A2 - 950°F) | Btu/h.W | 12.90 | 11.50 | 11.55 | 11.25 |
| Cooling Rated Capacity (DOE B2 - 820°F) | Btu/h | 13,500 | 19,300 | 26,400 | 30,800 |
| EER (DOE B2 - 820°F) | Btu/h.W | 16.35 | 14.25 | 14.40 | 13.65 |
| Cooling Capacity Range | Btu/h | 3,900~13,750 | 7,500~19,950 | 11,500~28,800 | 10,300~33,800 |
| SEER | Btu/h.W | 18.50 | 16.50 | 14.50 | 14.50 |
| Heating Rated Capacity (DOE H12 - 470°F) | Btu/h | 12,700 | 18,500 | 24,800 | 31,000 |
| COP (DOE H12 - 470°F) | W/W | 4.24 | 4.20 | 3.98 | 3.06 |
| Heating Rated Capacity (DOE H32 - 170°F) | Btu/h | 8,000 | 11,400 | 16,700 | 22,400 |
| COP (DOE H32 - 170°F) | W/W | 2.76 | 2.62 | 2.88 | 2.62 |
| Heating Capacity Range | Btu/h | 3,900~13,850 | 7,500~20,150 | 11,500~28,800 | 10,300~33,800 |
| HSPF | Btu/h.W | 9.00 | 9.50 | 10.50 | 10.50 |

PERFORMANCE (CONT)

59SU5 Furnace with CAP Evaporator Coil

| Heat Pump Systems | | 12K | 18K | 24K | 30K |
|--|---------|--------------------|--------------------|--------------------|--------------------|
| Indoor Model Voltage | | (115V or 208/230V) | (115V or 208/230V) | (115V or 208/230V) | (115V or 208/230V) |
| | | 59SU5A040E17**12 | 59SU5A040E17**12 | 59SU5A040E17**12 | 59SU5A040E17**12 |
| Outdoor Model Number | | 38MAQB12R--3 | 38MAQB18R--3 | 38MAQB24R--3 | 38MAQB30R--3 |
| Cased Coil | | CAP**2417AL* | CAP**2417AL* | CAP**2417AL* | CAP**3017AL* |
| Cooling Rated Capacity (DOE A2 - 950°F) | Btu/h | 12,400 | 18,100 | 24,800 | 29,200 |
| EER (DOE A2 - 950°F) | Btu/h.W | 13.35 | 11.70 | 11.85 | 11.80 |
| Cooling Rated Capacity (DOE B2 - 820°F) | Btu/h | 13,600 | 19,300 | 26,800 | 30,800 |
| EER (DOE B2 - 820°F) | Btu/h.W | 17.05 | 14.55 | 14.85 | 14.40 |
| Cooling Capacity Range | Btu/h | 5,700~15,500 | 8,300~22,000 | 7,200~30,550 | 10,200~35,100 |
| SEER | Btu/h.W | 20.50 | 17.00 | 15.00 | 17.00 |
| Heating Rated Capacity (DOE H12 - 470°F) | Btu/h | 12,400 | 18,100 | 24,600 | 30,600 |
| COP (DOE H12 - 470°F) | W/W | 4.26 | 4.16 | 4.02 | 3.10 |
| Heating Rated Capacity (DOE H32 - 170°F) | Btu/h | 7,900 | 11,200 | 16,600 | 21,800 |
| COP (DOE H32 - 170°F) | W/W | 2.78 | 2.60 | 2.86 | 2.68 |
| Heating Capacity Range | Btu/h | 5,700~15,400 | 8,300~21,900 | 7,200~30,300 | 10,100~35,100 |
| HSPF | Btu/h.W | 9.50 | 9.50 | 11.00 | 11.50 |

59SU5 Furnace with CNPV Evaporator Coil

| Heat Pump Systems | | 12K | 18K | 24K | 30K |
|--|---------|--------------------|--------------------|--------------------|--------------------|
| Indoor Model Voltage | | (115V or 208/230V) | (115V or 208/230V) | (115V or 208/230V) | (115V or 208/230V) |
| | | 59SU5A040E17**12 | 59SU5A040E17**12 | 59SU5A040E17**12 | 59SU5A040E17**12 |
| Outdoor Model Number | | 38MAQB12R--3 | 38MAQB18R--3 | 38MAQB24R--3 | 38MAQB30R--3 |
| Cased Coil | | CNPV*2417AL* | CNPV*2417AL* | CNPV*2417AL* | CNPV*3017AL* |
| Cooling Rated Capacity (DOE A2 - 950°F) | Btu/h | 12,300 | 18,000 | 24,600 | 29,200 |
| EER (DOE A2 - 950°F) | Btu/h.W | 13.30 | 11.65 | 11.80 | 11.80 |
| Cooling Rated Capacity (DOE B2 - 820°F) | Btu/h | 13,500 | 19,200 | 26,600 | 30,800 |
| EER (DOE B2 - 820°F) | Btu/h.W | 16.95 | 14.45 | 14.75 | 14.40 |
| Cooling Capacity Range | Btu/h | 3,800~13,500 | 7,400~19,750 | 11,400~28,800 | 9,900~33,350 |
| SEER | Btu/h.W | 20.00 | 17.00 | 14.50 | 17.00 |
| Heating Rated Capacity (DOE H12 - 470°F) | Btu/h | 12,500 | 18,100 | 24,600 | 30,600 |
| COP (DOE H12 - 470°F) | W/W | 4.30 | 4.18 | 4.08 | 3.10 |
| Heating Rated Capacity (DOE H32 - 170°F) | Btu/h | 7,900 | 11,200 | 16,600 | 21,800 |
| COP (DOE H32 - 170°F) | W/W | 2.84 | 2.64 | 2.92 | 2.68 |
| Heating Capacity Range | Btu/h | 3,800~13,650 | 7,300~19,750 | 11,400~28,800 | 9,900~33,350 |
| HSPF | Btu/h.W | 9.50 | 9.50 | 11.00 | 11.00 |

PERFORMANCE (CONT)

59TP6 Furnace with CAP Evaporator Coil

| Heat Pump Systems | | 12K | 18K | 24K | 30K |
|--|---------|--------------------|--------------------|--------------------|--------------------|
| Indoor Model Voltage | | (115V or 208/230V) | (115V or 208/230V) | (115V or 208/230V) | (115V or 208/230V) |
| | | 59TP6B040V14**10 | 59TP6B040V14**10 | 59TP6B040V14**10 | 59TP6B040V14**10 |
| Outdoor Model Number | | 38MAQB12R--3 | 38MAQB18R--3 | 38MAQB24R--3 | 38MAQB30R--3 |
| Cased Coil | | CAP**2414AL* | CAP**2414AL* | CAP**2414AL* | CAP**3014AL* |
| Cooling Rated Capacity (DOE A2 - 950°F) | Btu/h | 12,300 | 18,100 | 24,000 | 28,800 |
| EER (DOE A2 - 950°F) | Btu/h.W | 12.85 | 11.45 | 11.55 | 11.45 |
| Cooling Rated Capacity (DOE B2 - 820°F) | Btu/h | 13,500 | 19,300 | 26,000 | 30,200 |
| EER (DOE B2 - 820°F) | Btu/h.W | 16.30 | 14.20 | 14.40 | 13.90 |
| Cooling Capacity Range | Btu/h | 5,700~15,400 | 8,300~22,000 | 7,000~29,650 | 9,900~34,450 |
| SEER | Btu/h.W | 18.00 | 16.00 | 14.50 | 16.00 |
| Heating Rated Capacity (DOE H12 - 470°F) | Btu/h | 12,600 | 18,300 | 24,600 | 30,800 |
| COP (DOE H12 - 470°F) | W/W | 4.16 | 4.14 | 3.82 | 3.00 |
| Heating Rated Capacity (DOE H32 - 170°F) | Btu/h | 8,000 | 11,300 | 16,700 | 22,000 |
| COP (DOE H32 - 170°F) | W/W | 2.72 | 2.58 | 2.78 | 2.62 |
| Heating Capacity Range | Btu/h | 3,900~13,750 | 7,500~19,950 | 11,400~28,800 | 10,000~33,550 |
| HSPF | Btu/h.W | 9.00 | 9.50 | 10.50 | 11.00 |

59TP6 Furnace with CNPV Evaporator Coil

| Heat Pump Systems | | 12K | 18K | 24K | 30K |
|--|---------|--------------------|--------------------|--------------------|--------------------|
| Indoor Model Voltage | | (115V or 208/230V) | (115V or 208/230V) | (115V or 208/230V) | (115V or 208/230V) |
| | | 59TP6B040V14**10 | 59TP6B040V14**10 | 59TP6B040V14**10 | 59TP6B040V14**10 |
| Outdoor Model Number | | 38MAQB12R--3 | 38MAQB18R--3 | 38MAQB24R--3 | 38MAQB30R--3 |
| Cased Coil | | CNPV*1814AL* | CNPV*1814AL* | CNPV*2414AL* | CNPV*3014AL* |
| Cooling Rated Capacity (DOE A2 - 950°F) | Btu/h | 12,200 | 17,900 | 24,000 | 28,800 |
| EER (DOE A2 - 950°F) | Btu/h.W | 12.70 | 11.35 | 11.55 | 11.45 |
| Cooling Rated Capacity (DOE B2 - 820°F) | Btu/h | 13,400 | 19,100 | 25,800 | 30,200 |
| EER (DOE B2 - 820°F) | Btu/h.W | 16.10 | 14.00 | 14.40 | 13.90 |
| Cooling Capacity Range | Btu/h | 5,600~15,300 | 8,200~21,750 | 7,000~29,400 | 9,900~34,450 |
| SEER | Btu/h.W | 17.50 | 16.00 | 14.50 | 15.50 |
| Heating Rated Capacity (DOE H12 - 470°F) | Btu/h | 12,700 | 18,400 | 24,600 | 30,600 |
| COP (DOE H12 - 470°F) | W/W | 4.16 | 4.12 | 3.90 | 3.00 |
| Heating Rated Capacity (DOE H32 - 170°F) | Btu/h | 8,000 | 11,400 | 16,700 | 22,000 |
| COP (DOE H32 - 170°F) | W/W | 2.72 | 2.58 | 2.86 | 2.62 |
| Heating Capacity Range | Btu/h | 3,900~13,850 | 7,500~20,050 | 11,400~28,800 | 10,000~33,350 |
| HSPF | Btu/h.W | 9.00 | 9.00 | 10.50 | 11.00 |

COOLING PERFORMANCE - HIGH WALL

COOLING PERFORMANCE - HIGH WALL (Sheet 1 of 2)

| MODEL | COOLING | | | OUTDOOR CONDITIONS (DB) | | | | | | | | | | | |
|------------------|------------------------|---------------|-------|-------------------------|--------------|-------------|-------------|-------------|------------|-------------|-------------|-------------|--------------|--------------|--------------|
| | Indoor Conditions (DB) | | | -13°F (-25°C) | -4°F (-20°C) | 0°F (-17°C) | 5°F (-15°C) | 17°F (-8°C) | 47°F (8°C) | 77°F (25°C) | 86°F (30°C) | 95°F (35°C) | 104°F (40°C) | 113°F (45°C) | 122°F (50°C) |
| | DB | WB | | | | | | | | | | | | | |
| 12 (115V) | 69.8°F (21°C) | 59°F (15°C) | TC | 11.51 | 11.53 | 11.62 | 11.96 | 11.91 | 11.75 | 11.68 | 11.75 | 11.42 | 9.00 | 7.85 | 6.68 |
| | | | SC | 8.62 | 8.61 | 8.50 | 8.85 | 8.64 | 8.65 | 8.63 | 9.05 | 8.68 | 7.38 | 6.42 | 5.58 |
| | | | Input | 0.62 | 0.65 | 0.63 | 0.65 | 0.66 | 0.24 | 0.38 | 0.80 | 1.04 | 0.87 | 0.82 | 0.81 |
| | 75.2°F (24°C) | 62.6°F (17°C) | TC | 12.10 | 12.12 | 12.31 | 12.52 | 12.14 | 11.98 | 11.90 | 11.84 | 12.01 | 9.35 | 8.32 | 7.34 |
| | | | SC | 9.14 | 9.13 | 9.16 | 9.34 | 9.15 | 8.99 | 8.96 | 8.69 | 8.66 | 7.62 | 6.53 | 5.81 |
| | | | Input | 0.65 | 0.67 | 0.67 | 0.67 | 0.65 | 0.80 | 0.75 | 0.82 | 1.25 | 1.27 | 0.98 | 0.94 |
| | 80.6°F (27°C) | 66.2°F (19°C) | TC | 12.67 | 12.69 | 12.84 | 13.04 | 12.35 | 12.03 | 12.05 | 12.25 | 12.23 | 9.69 | 8.87 | 7.95 |
| | | | SC | 9.61 | 9.60 | 9.61 | 9.80 | 9.49 | 8.38 | 8.36 | 8.65 | 8.63 | 7.85 | 6.64 | 6.04 |
| | | | Input | 0.67 | 0.69 | 0.68 | 0.68 | 0.63 | 0.80 | 0.75 | 0.82 | 1.06 | 0.89 | 0.85 | 0.82 |
| | 89.6°F (32°C) | 73.4°F (23°C) | TC | 13.85 | 13.87 | 13.97 | 14.08 | 13.34 | 15.24 | 14.52 | 13.45 | 12.43 | 9.89 | 9.07 | 8.15 |
| | | | SC | 9.87 | 9.86 | 9.87 | 9.95 | 9.75 | 10.28 | 10.12 | 9.56 | 8.84 | 8.06 | 6.85 | 6.25 |
| | | | Input | 0.71 | 0.73 | 0.72 | 0.70 | 1.95 | 1.02 | 1.04 | 0.97 | 1.30 | 1.34 | 0.92 | 0.85 |
| 09 (208-230V) | 69.8°F (21°C) | 59°F (15°C) | TC | 10.75 | 10.77 | 11.74 | 11.71 | 11.05 | 9.10 | 12.36 | 12.58 | 11.57 | 9.37 | 8.95 | 7.76 |
| | | | SC | 8.11 | 8.10 | 8.65 | 8.50 | 8.01 | 7.41 | 10.51 | 10.69 | 9.83 | 7.96 | 7.61 | 6.60 |
| | | | Input | 0.61 | 0.64 | 0.60 | 0.58 | 0.66 | 0.90 | 0.72 | 0.93 | 1.21 | 1.04 | 0.95 | 0.90 |
| | 75.2°F (24°C) | 62.6°F (17°C) | TC | 12.61 | 12.63 | 12.44 | 12.37 | 11.93 | 12.52 | 12.82 | 13.04 | 12.03 | 9.83 | 9.41 | 8.22 |
| | | | SC | 9.36 | 9.35 | 9.46 | 9.18 | 8.97 | 8.99 | 10.90 | 11.08 | 10.23 | 8.36 | 8.00 | 6.99 |
| | | | Input | 0.55 | 0.57 | 0.63 | 0.62 | 0.70 | 1.02 | 0.93 | 1.14 | 1.42 | 1.25 | 1.16 | 1.11 |
| | 80.6°F (27°C) | 66.2°F (19°C) | TC | 12.90 | 12.92 | 12.68 | 12.74 | 12.80 | 12.88 | 13.34 | 13.45 | 13.26 | 11.70 | 10.32 | 9.02 |
| | | | SC | 9.71 | 9.70 | 9.56 | 9.52 | 9.24 | 8.32 | 11.34 | 11.43 | 12.25 | 9.95 | 8.77 | 7.67 |
| | | | Input | 0.57 | 0.59 | 0.64 | 0.63 | 0.72 | 0.92 | 1.14 | 1.35 | 1.63 | 1.46 | 1.37 | 1.32 |
| | 89.6°F (32°C) | 73.4°F (23°C) | TC | 12.71 | 12.73 | 13.89 | 13.49 | 12.64 | 10.58 | 13.84 | 13.95 | 14.91 | 12.20 | 10.82 | 9.52 |
| | | | SC | 9.82 | 9.81 | 9.86 | 9.62 | 9.28 | 8.74 | 11.76 | 11.86 | 12.67 | 10.37 | 9.20 | 8.09 |
| | | | Input | 0.63 | 0.65 | 0.63 | 0.67 | 0.73 | 1.01 | 1.35 | 1.56 | 1.84 | 1.67 | 1.58 | 1.53 |
| 12 (208-230V) | 69.8°F (21°C) | 59°F (15°C) | TC | 10.77 | 10.79 | 11.78 | 11.77 | 11.13 | 9.13 | 12.36 | 12.58 | 11.57 | 9.37 | 8.95 | 7.76 |
| | | | SC | 8.16 | 8.15 | 8.70 | 8.56 | 8.25 | 7.47 | 10.51 | 10.69 | 9.83 | 7.96 | 7.61 | 6.60 |
| | | | Input | 0.61 | 0.64 | 0.60 | 0.58 | 0.66 | 0.90 | 0.95 | 0.93 | 1.21 | 1.04 | 0.95 | 0.90 |
| | 75.2°F (24°C) | 62.6°F (17°C) | TC | 12.61 | 12.63 | 12.44 | 12.37 | 11.93 | 9.71 | 12.82 | 13.04 | 12.03 | 9.83 | 9.41 | 8.22 |
| | | | SC | 9.36 | 9.35 | 9.46 | 9.18 | 8.97 | 8.12 | 10.90 | 11.08 | 10.23 | 8.36 | 8.00 | 6.99 |
| | | | Input | 0.55 | 0.57 | 0.63 | 0.62 | 0.70 | 0.94 | 0.93 | 1.14 | 1.42 | 1.25 | 1.16 | 1.11 |
| | 80.6°F (27°C) | 66.2°F (19°C) | TC | 12.90 | 12.92 | 12.68 | 12.74 | 12.13 | 12.43 | 13.34 | 13.45 | 13.21 | 11.70 | 10.32 | 9.02 |
| | | | SC | 9.71 | 9.70 | 9.56 | 9.52 | 9.24 | 9.56 | 11.34 | 11.43 | 12.25 | 9.95 | 8.77 | 7.67 |
| | | | Input | 0.57 | 0.59 | 0.64 | 0.63 | 0.72 | 0.92 | 1.14 | 1.35 | 1.63 | 1.46 | 1.37 | 1.32 |
| | 89.6°F (32°C) | 73.4°F (23°C) | TC | 12.71 | 12.73 | 13.89 | 13.49 | 12.64 | 10.58 | 13.84 | 13.95 | 13.82 | 12.20 | 10.82 | 9.52 |
| | | | SC | 9.82 | 9.81 | 9.86 | 9.62 | 9.28 | 8.74 | 11.76 | 11.86 | 12.67 | 10.37 | 9.20 | 8.09 |
| | | | Input | 0.63 | 0.65 | 0.63 | 0.67 | 0.73 | 1.01 | 1.35 | 1.56 | 1.84 | 1.67 | 1.58 | 1.53 |
| 18 (208-230V) | 69.8°F (21°C) | 59°F (15°C) | TC | 16.74 | 16.76 | 16.44 | 16.39 | 17.02 | 14.38 | 16.08 | 17.64 | 17.46 | 15.75 | 13.02 | 9.65 |
| | | | SC | 12.94 | 12.93 | 12.77 | 12.75 | 12.96 | 11.71 | 14.15 | 15.52 | 15.36 | 13.86 | 11.46 | 8.49 |
| | | | Input | 0.95 | 0.98 | 0.97 | 0.97 | 0.95 | 0.61 | 1.49 | 1.79 | 1.90 | 1.86 | 1.60 | 1.30 |
| | 75.2°F (24°C) | 62.6°F (17°C) | TC | 17.56 | 17.58 | 17.47 | 17.33 | 17.70 | 15.14 | 17.33 | 18.89 | 18.71 | 17.00 | 14.27 | 10.90 |
| | | | SC | 13.73 | 13.72 | 13.65 | 13.57 | 13.69 | 12.53 | 15.25 | 16.62 | 16.46 | 14.96 | 12.56 | 9.59 |
| | | | Input | 0.97 | 0.99 | 0.97 | 0.98 | 0.96 | 0.62 | 1.48 | 1.78 | 1.89 | 1.85 | 1.59 | 1.29 |
| | 80.6°F (27°C) | 66.2°F (19°C) | TC | 18.62 | 18.64 | 18.63 | 18.40 | 18.56 | 18.52 | 18.58 | 19.52 | 19.96 | 18.25 | 15.52 | 12.15 |
| | | | SC | 14.47 | 14.46 | 14.41 | 14.37 | 14.26 | 14.65 | 16.54 | 17.92 | 17.76 | 16.24 | 13.81 | 10.81 |
| | | | Input | 0.93 | 0.95 | 0.98 | 1.00 | 0.79 | 1.03 | 1.51 | 1.81 | 1.92 | 1.88 | 1.62 | 1.32 |
| | 89.6°F (32°C) | 73.4°F (23°C) | TC | 24.58 | 24.60 | 25.29 | 24.77 | 24.74 | 16.37 | 18.79 | 20.35 | 20.17 | 18.46 | 15.73 | 12.36 |
| | | | SC | 16.59 | 16.58 | 16.68 | 16.45 | 16.41 | 13.36 | 16.72 | 18.11 | 17.95 | 16.43 | 14.00 | 11.00 |
| | | | Input | 0.63 | 0.65 | 0.68 | 0.71 | 0.83 | 0.60 | 1.55 | 1.85 | 1.96 | 1.92 | 1.66 | 1.36 |

COOLING PERFORMANCE - HIGH WALL (Sheet 2 of 2)

| MODEL | COOLING | | OUTDOOR CONDITIONS (DB) | | | | | | | | | | | | |
|------------------|------------------------|------------------|-------------------------|---------|---------|---------|---------|--------|-------|--------|--------|--------|--------|--------|--------|
| | Indoor Conditions (DB) | | | -13°F | -4°F | 0°F | 5°F | 17°F | 47°F | 77°F | 86°F | 95°F | 104°F | 113°F | 122°F |
| | DB | WB | | (-25°C) | (-20°C) | (-17°C) | (-15°C) | (-8°C) | (8°C) | (25°C) | (30°C) | (35°C) | (40°C) | (45°C) | (50°C) |
| 24 (208-230V) | 69.8°F (21°C) | 59°F (15°C) | TC | 24.05 | 24.07 | 24.13 | 23.93 | 24.00 | 26.01 | 23.58 | 23.21 | 25.86 | 18.72 | 16.25 | 15.32 |
| | | | SC | 17.75 | 17.74 | 17.76 | 17.75 | 17.80 | 18.84 | 17.69 | 17.41 | 19.40 | 14.04 | 12.19 | 11.49 |
| | | | Input | 1.86 | 1.89 | 1.93 | 1.95 | 2.00 | 1.71 | 1.95 | 2.38 | 2.56 | 2.20 | 2.10 | 1.87 |
| | 75.2°F (24°C) | 62.6°F (17°C) | TC | 24.54 | 24.56 | 24.65 | 24.42 | 24.39 | 27.73 | 25.79 | 25.42 | 28.07 | 20.93 | 18.46 | 17.53 |
| | | | SC | 18.37 | 18.36 | 18.43 | 18.37 | 18.39 | 19.91 | 15.25 | 15.71 | 15.59 | 14.33 | 10.13 | 8.88 |
| | | | Input | 1.78 | 1.80 | 1.82 | 1.83 | 1.79 | 1.80 | 1.98 | 2.41 | 2.59 | 2.23 | 2.13 | 1.90 |
| | 80.6°F (27°C) | 66.2°F (19°C) | TC | 25.32 | 25.34 | 24.99 | 25.45 | 25.66 | 29.87 | 29.10 | 28.40 | 24.00 | 22.40 | 16.98 | 16.02 |
| | | | SC | 19.06 | 19.05 | 18.98 | 19.21 | 19.32 | 21.12 | 21.83 | 21.30 | 18.00 | 16.80 | 12.74 | 12.02 |
| | | | Input | 1.75 | 1.78 | 1.71 | 1.86 | 1.82 | 1.91 | 2.01 | 2.44 | 2.62 | 2.26 | 2.16 | 1.93 |
| | 89.6°F (32°C) | 73.4°F (23°C) | TC | 27.54 | 27.56 | 28.00 | 27.93 | 27.84 | 33.80 | 31.50 | 30.80 | 26.40 | 24.80 | 17.22 | 16.26 |
| | | | SC | 19.41 | 19.40 | 19.55 | 19.54 | 19.58 | 21.79 | 23.63 | 23.10 | 19.80 | 18.60 | 12.92 | 12.20 |
| | | | Input | 1.76 | 1.78 | 1.80 | 1.83 | 1.77 | 2.11 | 2.05 | 2.48 | 2.66 | 2.30 | 2.20 | 1.97 |
| 30 (208-230V) | 69.8°F (21°C) | 59°F (15°C) | TC | 28.67 | 28.69 | 28.12 | 28.90 | 28.80 | 27.56 | 26.54 | 31.04 | 30.03 | 23.54 | 18.22 | 15.04 |
| | | | SC | 19.48 | 19.47 | 19.29 | 19.74 | 19.64 | 18.89 | 18.84 | 22.04 | 21.32 | 16.71 | 12.94 | 10.68 |
| | | | Input | 0.79 | 0.82 | 0.90 | 1.11 | 1.16 | 0.83 | 1.39 | 1.90 | 2.25 | 2.20 | 2.10 | 1.87 |
| | 75.2°F (24°C) | 62.6°F (17°C) | TC | 30.63 | 30.65 | 29.99 | 31.10 | 31.16 | 27.95 | 26.50 | 31.00 | 29.99 | 23.50 | 18.18 | 15.00 |
| | | | SC | 20.75 | 20.74 | 20.64 | 21.16 | 21.15 | 19.52 | 18.82 | 22.01 | 21.29 | 16.69 | 12.91 | 10.65 |
| | | | Input | 0.86 | 0.88 | 0.96 | 1.21 | 1.21 | 0.94 | 1.42 | 1.93 | 2.28 | 2.23 | 2.13 | 1.90 |
| | 80.6°F (27°C) | 66.2°F (19°C) | TC | 32.02 | 32.04 | 31.51 | 32.77 | 32.49 | 28.53 | 27.56 | 27.54 | 25.56 | 23.52 | 18.20 | 15.02 |
| | | | SC | 21.48 | 21.47 | 21.41 | 22.01 | 21.83 | 18.56 | 18.30 | 18.96 | 19.52 | 16.23 | 12.56 | 10.36 |
| | | | Input | 0.88 | 0.91 | 1.01 | 1.27 | 1.26 | 0.92 | 1.45 | 1.96 | 2.31 | 2.26 | 2.16 | 1.93 |
| | 89.6°F (32°C) | 73.4°F (23°C) | TC | 35.71 | 35.73 | 34.77 | 35.63 | 33.77 | 31.52 | 30.86 | 30.95 | 29.94 | 23.45 | 18.13 | 14.95 |
| | | | SC | 21.96 | 21.95 | 21.69 | 22.09 | 21.28 | 21.56 | 21.95 | 21.97 | 21.26 | 16.65 | 12.87 | 10.61 |
| | | | Input | 0.96 | 0.98 | 1.08 | 1.40 | 1.25 | 0.96 | 1.52 | 2.03 | 2.38 | 2.33 | 2.23 | 2.00 |
| 36 (208-230V) | 69.8°F (21°C) | 59°F (15°C) | TC | 27.85 | 27.87 | 27.06 | 27.85 | 27.99 | 30.23 | 32.52 | 37.29 | 36.06 | 28.30 | 20.56 | 15.57 |
| | | | SC | 19.50 | 19.49 | 19.02 | 19.53 | 19.52 | 22.23 | 23.56 | 26.48 | 25.60 | 20.09 | 14.60 | 11.05 |
| | | | Input | 0.79 | 0.82 | 0.91 | 1.22 | 1.20 | 2.45 | 2.88 | 3.12 | 3.99 | 2.30 | 2.19 | 2.09 |
| | 75.2°F (24°C) | 62.6°F (17°C) | TC | 29.27 | 29.29 | 28.81 | 29.37 | 29.82 | 31.23 | 33.52 | 37.25 | 36.02 | 28.26 | 20.52 | 15.53 |
| | | | SC | 20.96 | 20.95 | 20.42 | 20.74 | 20.9 | 21.03 | 22.32 | 26.45 | 25.57 | 20.06 | 14.57 | 11.03 |
| | | | Input | 0.87 | 0.89 | 0.98 | 1.31 | 1.27 | 2.46 | 2.91 | 3.15 | 4.02 | 2.33 | 2.22 | 2.12 |
| | 80.6°F (27°C) | 66.2°F (19°C) | TC | 30.90 | 30.92 | 30.31 | 30.78 | 31.02 | 31.56 | 33.68 | 37.27 | 36.04 | 28.28 | 20.54 | 15.55 |
| | | | SC | 21.73 | 21.72 | 21.33 | 21.62 | 21.84 | 21.52 | 22.42 | 25.72 | 24.87 | 19.51 | 14.17 | 10.73 |
| | | | Input | 0.91 | 0.93 | 1.03 | 1.38 | 1.32 | 2.51 | 2.94 | 3.18 | 4.05 | 2.36 | 2.25 | 2.15 |
| | 89.6°F (32°C) | 73.4°F (23°C) | TC | 34.08 | 34.10 | 34.04 | 34.62 | 34.75 | 35.26 | 36.21 | 37.24 | 36.01 | 28.25 | 20.51 | 15.25 |
| | | | SC | 22.05 | 22.04 | 22.03 | 22.25 | 22.26 | 23.56 | 25.32 | 26.44 | 25.57 | 20.06 | 14.56 | 11.02 |
| | | | Input | 1.04 | 1.06 | 1.54 | 1.45 | 1.44 | 2.56 | 3.01 | 3.25 | 4.12 | 2.43 | 2.32 | 2.22 |

LEGEND

- DB - Dry Bulb
- WB - Wet Bulb
- TC - Total Net Capacity (1000 Btu/hour)
- SC - Sensible Capacity (1000 Btu/hour)
- Input - Total Power (kW)

HEATING PERFORMANCE - HIGH WALL

HEATING PERFORMANCE - HIGH WALL (Sheet 1 of 2)

| Model | HEATING | | OUTDOOR CONDITIONS (DB) | | | | | | | | | | | |
|------------------|------------------------|-------|-------------------------|---------------|--------------|-------------|-------------|-------------|---------------|---------------|------------|--------------|--------------|---------------|
| | Indoor Conditions (DB) | | -22°F (-30°C) | -13°F (-25°C) | -4°F (-20°C) | 0°F (-17°C) | 5°F (-15°C) | 17°F (-8°C) | 19.4°F (-7°C) | 24.8°F (-4°C) | 32°F (0°C) | 39.2°F (4°C) | 44.6°F (7°C) | 53.6°F (12°C) |
| 12 (115V) | 59°F (15°C) | TC | | 5.02 | 5.32 | 5.62 | 5.75 | 8.90 | 9.54 | 10.40 | 11.32 | 12.42 | 12.72 | 11.78 |
| | | Input | | 0.75 | 0.78 | 0.81 | 0.83 | 0.98 | 1.00 | 1.02 | 1.10 | 1.05 | 1.01 | 0.79 |
| | | COP | | 1.96 | 2.00 | 2.03 | 2.03 | 2.66 | 2.80 | 2.99 | 3.02 | 3.47 | 3.69 | 4.37 |
| | 64.4°F (18°C) | TC | | 5.02 | 5.28 | 5.72 | 6.14 | 8.81 | 9.32 | 10.32 | 11.34 | 12.32 | 12.65 | 12.05 |
| | | Input | | 0.78 | 0.82 | 0.85 | 0.91 | 1.01 | 1.27 | 1.22 | 1.26 | 1.40 | 1.37 | 0.83 |
| | | COP | | 1.89 | 1.89 | 1.97 | 1.98 | 2.56 | 2.15 | 2.48 | 2.64 | 2.58 | 2.71 | 4.26 |
| | 69°F (20.5°C) | TC | | 3.80 | 4.20 | 5.32 | 6.49 | 8.43 | 9.12 | 10.21 | 11.32 | 12.12 | 12.60 | 12.27 |
| | | Input | | 0.81 | 0.82 | 0.91 | 0.98 | 1.03 | 1.25 | 1.19 | 1.19 | 1.12 | 1.10 | 0.83 |
| | | COP | | 1.37 | 1.50 | 1.71 | 1.94 | 2.40 | 2.14 | 2.51 | 2.79 | 3.17 | 3.36 | 4.33 |
| | 71.6°F (22°C) | TC | | 3.70 | 4.12 | 5.21 | 6.01 | 8.21 | 9.02 | 10.01 | 11.21 | 12.01 | 12.41 | 11.14 |
| | | Input | | 0.84 | 0.88 | 0.91 | 1.00 | 1.05 | 1.31 | 1.23 | 1.21 | 1.16 | 1.15 | 0.85 |
| | | COP | | 1.29 | 1.37 | 1.68 | 1.76 | 2.29 | 2.02 | 2.39 | 2.72 | 3.03 | 3.16 | 3.84 |
| 09 (208-230V) | 59°F (15°C) | TC | 6.01 | 9.22 | 10.02 | 11.20 | 12.37 | 15.03 | 15.26 | 15.52 | 14.21 | 15.29 | 15.82 | 17.32 |
| | | Input | 1.74 | 1.75 | 1.73 | 1.72 | 1.71 | 1.69 | 1.65 | 1.58 | 1.52 | 1.43 | 1.32 | 1.18 |
| | | COP | 1.01 | 1.54 | 1.70 | 1.91 | 2.12 | 2.61 | 2.71 | 2.88 | 2.74 | 3.13 | 3.51 | 4.30 |
| | 64.4°F (18°C) | TC | 5.41 | 9.12 | 9.82 | 11.02 | 12.19 | 14.31 | 14.76 | 14.89 | 14.11 | 14.93 | 15.40 | 16.45 |
| | | Input | 1.78 | 1.78 | 1.74 | 1.75 | 1.74 | 1.72 | 1.68 | 1.61 | 1.55 | 1.46 | 1.35 | 1.21 |
| | | COP | 0.89 | 1.50 | 1.65 | 1.85 | 2.05 | 2.44 | 2.57 | 2.71 | 2.67 | 3.00 | 3.34 | 3.98 |
| | 69°F (20.5°C) | TC | 5.31 | 9.02 | 9.65 | 10.85 | 12.01 | 13.58 | 14.25 | 14.26 | 14.01 | 14.56 | 14.98 | 15.57 |
| | | Input | 1.86 | 1.82 | 1.79 | 1.78 | 1.78 | 1.76 | 1.72 | 1.65 | 1.59 | 1.50 | 1.39 | 1.25 |
| | | COP | 0.83 | 1.45 | 1.58 | 1.79 | 1.98 | 2.26 | 2.43 | 2.53 | 2.58 | 2.84 | 3.16 | 3.65 |
| | 71.6°F (22°C) | TC | 5.22 | 8.88 | 9.42 | 10.65 | 11.51 | 13.08 | 13.75 | 13.76 | 13.51 | 14.06 | 14.48 | 15.07 |
| | | Input | 1.92 | 1.91 | 1.91 | 1.88 | 1.87 | 1.85 | 1.81 | 1.74 | 1.68 | 1.59 | 1.48 | 1.34 |
| | | COP | 0.80 | 1.36 | 1.45 | 1.66 | 1.80 | 2.07 | 2.23 | 2.32 | 2.36 | 2.59 | 2.87 | 3.30 |
| 12 (208-230V) | 59°F (15°C) | TC | 6.01 | 9.22 | 10.20 | 11.02 | 12.37 | 15.03 | 15.26 | 15.52 | 14.21 | 15.29 | 15.82 | 17.32 |
| | | Input | 1.74 | 1.75 | 1.72 | 1.73 | 1.71 | 1.69 | 1.65 | 1.58 | 1.52 | 1.43 | 1.32 | 1.18 |
| | | COP | 1.01 | 1.54 | 0.17 | 1.87 | 2.12 | 2.61 | 2.71 | 2.88 | 2.74 | 3.13 | 3.51 | 4.30 |
| | 64.4°F (18°C) | TC | 5.41 | 9.12 | 10.02 | 10.98 | 12.19 | 14.31 | 14.76 | 14.89 | 14.11 | 14.93 | 15.40 | 16.45 |
| | | Input | 1.78 | 1.78 | 1.75 | 1.76 | 1.74 | 1.72 | 1.68 | 1.61 | 1.55 | 1.46 | 1.35 | 1.21 |
| | | COP | 0.89 | 1.50 | 1.68 | 1.83 | 2.05 | 2.44 | 2.57 | 2.71 | 2.67 | 3.00 | 3.34 | 3.98 |
| | 69°F (20.5°C) | TC | 5.31 | 9.02 | 9.82 | 11.81 | 12.01 | 13.58 | 14.25 | 14.26 | 14.01 | 14.56 | 14.98 | 15.57 |
| | | Input | 1.86 | 1.82 | 1.81 | 1.77 | 1.78 | 1.76 | 1.72 | 1.65 | 1.59 | 1.50 | 1.39 | 1.25 |
| | | COP | 0.83 | 1.45 | 1.59 | 1.96 | 1.98 | 2.26 | 2.43 | 2.53 | 2.58 | 2.84 | 3.16 | 3.65 |
| | 71.6°F (22°C) | TC | 5.22 | 8.88 | 9.62 | 11.74 | 12.00 | 13.08 | 13.75 | 13.76 | 13.51 | 14.06 | 14.48 | 15.07 |
| | | Input | 1.92 | 1.91 | 1.90 | 1.88 | 1.87 | 1.85 | 1.81 | 1.74 | 1.68 | 1.59 | 1.48 | 1.34 |
| | | COP | 0.80 | 1.36 | 1.48 | 1.83 | 1.88 | 2.07 | 2.23 | 2.32 | 2.36 | 2.59 | 2.87 | 3.30 |
| 18 (208-230V) | 59°F (15°C) | TC | 11.99 | 16.82 | 17.26 | 18.02 | 18.93 | 23.32 | 23.55 | 23.71 | 23.91 | 24.14 | 24.32 | 26.88 |
| | | Input | 2.64 | 3.11 | 3.12 | 3.16 | 3.17 | 2.87 | 2.50 | 2.44 | 2.37 | 2.31 | 2.21 | 2.27 |
| | | COP | 1.33 | 1.59 | 1.62 | 1.67 | 1.75 | 2.38 | 2.76 | 2.85 | 2.96 | 3.06 | 3.23 | 3.47 |
| | 64.4°F (18°C) | TC | 12.12 | 16.67 | 17.11 | 17.98 | 18.67 | 23.17 | 23.40 | 23.56 | 23.76 | 23.99 | 24.17 | 26.73 |
| | | Input | 2.73 | 3.18 | 3.22 | 3.22 | 3.25 | 2.94 | 2.57 | 2.51 | 2.44 | 2.38 | 2.28 | 2.34 |
| | | COP | 1.30 | 1.54 | 1.56 | 1.64 | 1.68 | 2.31 | 2.67 | 2.75 | 2.85 | 2.95 | 3.11 | 3.35 |
| | 69°F (20.5°C) | TC | 12.42 | 16.52 | 17.01 | 18.01 | 18.52 | 23.02 | 23.25 | 23.41 | 23.61 | 23.84 | 24.02 | 26.58 |
| | | Input | 2.71 | 3.25 | 3.26 | 3.28 | 3.32 | 3.01 | 2.64 | 2.58 | 2.51 | 2.45 | 2.35 | 2.41 |
| | | COP | 1.34 | 1.49 | 1.53 | 1.61 | 1.63 | 2.24 | 2.58 | 2.66 | 2.76 | 2.85 | 3.00 | 3.23 |
| | 71.6°F (22°C) | TC | 11.19 | 16.25 | 16.87 | 17.98 | 18.25 | 22.75 | 22.98 | 23.14 | 23.34 | 23.57 | 23.75 | 26.31 |
| | | Input | 2.49 | 3.28 | 3.28 | 3.27 | 3.35 | 3.04 | 2.67 | 2.61 | 2.54 | 2.48 | 2.38 | 2.44 |
| | | COP | 1.32 | 1.45 | 1.51 | 1.61 | 1.60 | 2.19 | 2.52 | 2.60 | 2.69 | 2.79 | 2.92 | 3.16 |

HEATING PERFORMANCE - HIGH WALL (Sheet 2 of 2)

| Model | HEATING | | | OUTDOOR CONDITIONS (DB) | | | | | | | | | | |
|------------------|------------------------|---------------|---------------|-------------------------|-------------|-------------|-------------|---------------|---------------|------------|--------------|--------------|---------------|-------|
| | Indoor Conditions (DB) | -22°F (-30°C) | -13°F (-25°C) | -4°F (-20°C) | 0°F (-17°C) | 5°F (-15°C) | 17°F (-8°C) | 19.4°F (-7°C) | 24.8°F (-4°C) | 32°F (0°C) | 39.2°F (4°C) | 44.6°F (7°C) | 53.6°F (12°C) | |
| 24 (208-230V) | 59°F (15°C) | TC | 15.20 | 16.66 | 22.54 | 24.56 | 25.24 | 26.02 | 26.85 | 27.56 | 27.87 | 28.89 | 29.79 | 31.92 |
| | | Input | 3.19 | 3.95 | 9.94 | 3.94 | 4.02 | 3.89 | 3.82 | 3.72 | 3.72 | 3.71 | 3.28 | 3.22 |
| | | COP | 1.40 | 1.24 | 0.66 | 1.83 | 1.84 | 1.96 | 2.06 | 2.17 | 2.20 | 2.28 | 2.66 | 2.91 |
| | 64.4°F (18°C) | TC | 15.13 | 16.59 | 22.32 | 24.32 | 24.10 | 25.78 | 26.05 | 26.59 | 27.58 | 28.51 | 29.75 | 31.85 |
| | | Input | 3.35 | 3.90 | 3.91 | 3.93 | 4.03 | 3.92 | 3.76 | 3.68 | 3.66 | 3.60 | 3.24 | 3.17 |
| | | COP | 1.32 | 1.25 | 1.67 | 1.81 | 1.75 | 1.93 | 2.03 | 2.12 | 2.21 | 2.32 | 2.69 | 2.94 |
| | 69°F (20.5°C) | TC | 15.05 | 16.52 | 21.02 | 24.00 | 24.03 | 25.71 | 25.98 | 26.52 | 27.51 | 28.44 | 29.68 | 31.78 |
| | | Input | 3.40 | 3.85 | 3.91 | 3.96 | 3.98 | 3.87 | 3.71 | 3.63 | 3.61 | 3.55 | 3.19 | 3.12 |
| | | COP | 1.30 | 1.26 | 1.58 | 1.78 | 1.77 | 1.95 | 2.05 | 2.14 | 2.23 | 2.35 | 2.73 | 2.99 |
| | 71.6°F (22°C) | TC | 13.46 | 16.65 | 20.05 | 24.02 | 24.16 | 25.84 | 26.11 | 26.65 | 27.64 | 28.57 | 29.81 | 31.91 |
| | | Input | 3.07 | 3.64 | 3.68 | 3.72 | 3.77 | 3.66 | 3.50 | 3.42 | 3.40 | 3.34 | 2.98 | 2.91 |
| | | COP | 1.29 | 1.34 | 1.60 | 1.89 | 1.88 | 2.07 | 2.19 | 2.28 | 2.38 | 2.51 | 2.93 | 3.21 |
| 30 (208-230V) | 59°F (15°C) | TC | | 16.42 | 17.02 | 17.56 | 18.93 | 23.16 | 23.22 | 23.42 | 23.56 | 25.85 | 27.79 | 28.60 |
| | | Input | | 2.17 | 2.19 | 2.18 | 2.17 | 2.24 | 2.23 | 2.20 | 2.21 | 2.24 | 2.25 | 2.00 |
| | | COP | | 2.22 | 2.28 | 2.36 | 2.56 | 3.03 | 3.05 | 3.12 | 3.12 | 3.38 | 3.62 | 4.19 |
| | 64.4°F (18°C) | TC | | 15.58 | 16.42 | 17.02 | 17.45 | 20.45 | 22.52 | 23.40 | 23.54 | 24.52 | 27.61 | 27.62 |
| | | Input | | 2.16 | 2.19 | 2.14 | 2.16 | 2.21 | 2.23 | 2.32 | 2.35 | 2.35 | 2.45 | 2.24 |
| | | COP | | 2.11 | 2.20 | 2.33 | 2.37 | 2.71 | 2.96 | 2.96 | 2.94 | 3.06 | 3.30 | 3.61 |
| | 69°F (20.5°C) | TC | | 14.32 | 15.02 | 15.88 | 16.38 | 19.61 | 21.85 | 22.98 | 24.63 | 26.75 | 30.08 | 31.02 |
| | | Input | | 2.18 | 2.13 | 2.16 | 2.18 | 2.20 | 2.25 | 2.42 | 2.58 | 2.64 | 2.74 | 2.39 |
| | | COP | | 1.93 | 2.07 | 2.15 | 2.20 | 2.61 | 2.85 | 2.78 | 2.80 | 2.97 | 3.22 | 3.80 |
| | 71.6°F (22°C) | TC | | 14.20 | 14.85 | 15.78 | 16.24 | 19.54 | 21.67 | 22.54 | 23.41 | 24.21 | 30.06 | 31.05 |
| | | Input | | 2.15 | 2.16 | 2.20 | 2.17 | 2.24 | 2.23 | 2.20 | 2.21 | 2.24 | 2.25 | 2.00 |
| | | COP | | 1.94 | 2.01 | 2.10 | 2.19 | 2.56 | 2.85 | 3.00 | 3.10 | 3.17 | 3.92 | 4.55 |
| 36 (208-230V) | 59°F (15°C) | TC | | 16.42 | 17.32 | 17.88 | 18.93 | 23.16 | 25.32 | 30.21 | 35.68 | 37.02 | 39.20 | 40.01 |
| | | Input | | 2.17 | 2.19 | 2.18 | 2.17 | 3.25 | 0.14 | 3.21 | 3.42 | 3.58 | 3.71 | 3.74 |
| | | COP | | 2.22 | 2.32 | 2.40 | 2.56 | 2.09 | 3.01 | 2.76 | 3.06 | 3.03 | 3.10 | 3.41 |
| | 64.4°F (18°C) | TC | | 15.58 | 16.85 | 17.42 | 17.45 | 20.45 | 24.52 | 28.65 | 34.56 | 36.02 | 37.85 | 39.20 |
| | | Input | | 2.16 | 2.19 | 2.14 | 2.16 | 3.26 | 3.05 | 3.25 | 3.58 | 3.62 | 3.78 | 3.81 |
| | | COP | | 2.11 | 2.26 | 2.39 | 2.37 | 1.84 | 2.36 | 2.58 | 2.83 | 2.92 | 2.93 | 3.02 |
| | 69°F (20.5°C) | TC | | 14.32 | 15.42 | 16.02 | 16.38 | 19.61 | 23.85 | 27.65 | 34.01 | 35.85 | 36.85 | 38.20 |
| | | Input | | 2.18 | 2.13 | 2.16 | 3.21 | 3.28 | 3.02 | 3.02 | 3.62 | 3.74 | 3.81 | 3.84 |
| | | COP | | 1.93 | 2.12 | 2.17 | 1.50 | 1.75 | 2.31 | 2.68 | 2.75 | 2.81 | 2.83 | 2.92 |
| | 71.6°F (22°C) | TC | | 14.20 | 15.20 | 16.52 | 17.25 | 20.12 | 23.21 | 26.32 | 33.52 | 35.61 | 36.01 | 37.20 |
| | | Input | | 2.15 | 2.16 | 2.20 | 2.17 | 3.31 | 2.43 | 3.21 | 3.74 | 3.85 | 3.98 | 4.01 |
| | | COP | | 1.94 | 2.06 | 2.20 | 2.33 | 1.78 | 2.80 | 2.40 | 2.63 | 2.71 | 2.65 | 2.72 |

LEGEND

DB - Dry Bulb
 TC - Total Net Capacity (1000 Btu/hour)
 Input - Total Power (kW)
 COP - W/W

COOLING PERFORMANCE - CASSETTE

| Model | COOLING | | | OUTDOOR CONDITIONS (DB) | | | | | | | | | | | |
|------------------|------------------------|------------------|-------|-------------------------|---------|---------|---------|--------|-------|--------|--------|--------|--------|--------|--------|
| | Indoor Conditions (DB) | | | -13°F | -4°F | 0°F | 5°F | 17°F | 47°F | 77°F | 86°F | 95°F | 104°F | 113°F | 122°F |
| | DB | WB | | (-25°C) | (-20°C) | (-17°C) | (-15°C) | (-8°C) | (8°C) | (25°C) | (30°C) | (35°C) | (40°C) | (45°C) | (50°C) |
| 09 (208-230V) | 69.8°F (21°C) | 59°F (15°C) | TC | 10.76 | 10.28 | 11.16 | 11.27 | 10.58 | 8.74 | 10.19 | 10.27 | 10.06 | 8.16 | 7.98 | 7.16 |
| | | | SC | 8.07 | 7.73 | 8.22 | 8.18 | 7.67 | 7.12 | 7.75 | 7.70 | 7.64 | 6.77 | 6.47 | 6.09 |
| | | | Input | 0.65 | 0.61 | 0.57 | 0.56 | 0.63 | 0.86 | 0.72 | 0.93 | 1.23 | 1.06 | 0.95 | 0.90 |
| | 75.2°F (24°C) | 62.6°F (17°C) | TC | 12.20 | 11.72 | 11.83 | 11.90 | 11.42 | 12.02 | 11.32 | 11.52 | 11.01 | 8.99 | 8.78 | 7.85 |
| | | | SC | 9.15 | 8.92 | 8.99 | 8.83 | 8.59 | 8.63 | 8.49 | 8.76 | 8.37 | 7.19 | 7.11 | 6.52 |
| | | | Input | 0.58 | 0.54 | 0.60 | 0.60 | 0.67 | 0.98 | 0.72 | 0.95 | 1.24 | 1.07 | 0.98 | 0.95 |
| | 80.6°F (27°C) | 66.2°F (19°C) | TC | 12.81 | 12.33 | 12.05 | 12.26 | 12.25 | 12.37 | 12.03 | 12.59 | 11.85 | 9.66 | 9.43 | 8.52 |
| | | | SC | 9.61 | 9.26 | 9.09 | 9.16 | 8.85 | 7.99 | 8.30 | 8.56 | 8.29 | 7.44 | 7.64 | 6.99 |
| | | | Input | 0.60 | 0.56 | 0.61 | 0.61 | 0.69 | 0.88 | 0.73 | 0.96 | 1.25 | 1.08 | 1.03 | 0.98 |
| | 89.6°F (32°C) | 73.4°F (23°C) | TC | 12.63 | 12.15 | 13.20 | 12.98 | 12.10 | 10.16 | 12.86 | 13.45 | 12.35 | 10.32 | 10.12 | 9.25 |
| | | | SC | 9.47 | 9.36 | 9.37 | 9.26 | 8.88 | 8.39 | 9.64 | 10.09 | 9.39 | 8.26 | 8.20 | 7.49 |
| | | | Input | 0.66 | 0.62 | 0.60 | 0.64 | 0.70 | 0.97 | 0.74 | 1.01 | 1.28 | 1.16 | 1.09 | 1.01 |
| 12 (208-230V) | 69.8°F (21°C) | 59°F (15°C) | TC | 10.89 | 10.41 | 11.31 | 11.44 | 10.77 | 8.86 | 10.19 | 10.27 | 10.06 | 8.16 | 7.98 | 7.16 |
| | | | SC | 8.16 | 7.86 | 8.36 | 8.32 | 7.98 | 7.25 | 7.75 | 7.70 | 7.64 | 6.77 | 6.47 | 6.09 |
| | | | Input | 0.66 | 0.62 | 0.58 | 0.56 | 0.64 | 0.87 | 0.72 | 0.93 | 1.23 | 1.06 | 0.95 | 0.90 |
| | 75.2°F (24°C) | 62.6°F (17°C) | TC | 12.66 | 12.18 | 11.95 | 12.03 | 11.54 | 9.42 | 11.32 | 11.52 | 11.01 | 8.99 | 8.78 | 7.85 |
| | | | SC | 9.49 | 9.02 | 9.09 | 8.92 | 8.68 | 7.88 | 8.49 | 8.76 | 8.37 | 7.19 | 7.11 | 6.52 |
| | | | Input | 0.59 | 0.55 | 0.61 | 0.60 | 0.68 | 0.91 | 0.72 | 0.95 | 1.24 | 1.07 | 0.98 | 0.95 |
| | 80.6°F (27°C) | 66.2°F (19°C) | TC | 12.94 | 12.46 | 12.18 | 12.39 | 11.73 | 12.06 | 12.03 | 12.59 | 11.85 | 9.66 | 9.43 | 8.52 |
| | | | SC | 9.70 | 9.35 | 9.18 | 9.25 | 8.94 | 9.28 | 8.30 | 8.56 | 8.29 | 7.44 | 7.64 | 6.99 |
| | | | Input | 0.61 | 0.57 | 0.61 | 0.61 | 0.70 | 0.89 | 0.73 | 0.96 | 1.25 | 1.08 | 1.03 | 0.98 |
| | 89.6°F (32°C) | 73.4°F (23°C) | TC | 12.76 | 12.28 | 13.34 | 13.11 | 12.23 | 10.26 | 12.86 | 13.45 | 12.35 | 10.32 | 10.12 | 9.25 |
| | | | SC | 9.57 | 9.46 | 9.47 | 9.35 | 8.98 | 8.48 | 9.64 | 10.09 | 9.39 | 8.26 | 8.20 | 7.49 |
| | | | Input | 0.67 | 0.63 | 0.61 | 0.65 | 0.71 | 0.98 | 0.74 | 1.01 | 1.28 | 1.16 | 1.09 | 1.01 |
| 18 (208-230V) | 69.8°F (21°C) | 59°F (15°C) | TC | 16.97 | 16.49 | 16.11 | 16.26 | 16.80 | 14.24 | 11.21 | 12.77 | 17.16 | 12.51 | 11.87 | 10.88 |
| | | | SC | 12.73 | 12.72 | 12.51 | 12.65 | 12.79 | 11.59 | 9.48 | 10.04 | 12.22 | 10.02 | 9.49 | 8.81 |
| | | | Input | 1.01 | 0.97 | 0.95 | 0.96 | 0.94 | 0.60 | 0.66 | 1.07 | 1.90 | 1.50 | 1.39 | 1.26 |
| | 75.2°F (24°C) | 62.6°F (17°C) | TC | 17.77 | 17.29 | 17.12 | 17.19 | 17.47 | 14.98 | 12.46 | 14.33 | 18.30 | 13.60 | 12.91 | 12.13 |
| | | | SC | 13.33 | 13.50 | 13.38 | 13.46 | 13.51 | 12.40 | 9.72 | 10.45 | 12.62 | 10.22 | 9.68 | 9.10 |
| | | | Input | 1.01 | 0.97 | 0.95 | 0.97 | 0.95 | 0.62 | 0.69 | 1.26 | 1.92 | 1.35 | 1.32 | 1.23 |
| | 80.6°F (27°C) | 66.2°F (19°C) | TC | 18.82 | 18.34 | 18.26 | 18.25 | 18.32 | 18.33 | 13.67 | 16.73 | 19.15 | 15.51 | 14.46 | 13.67 |
| | | | SC | 14.12 | 14.23 | 14.12 | 14.25 | 14.07 | 14.50 | 9.88 | 11.34 | 12.64 | 11.17 | 10.85 | 9.84 |
| | | | Input | 0.98 | 0.94 | 0.96 | 0.99 | 0.78 | 1.02 | 1.00 | 1.51 | 1.94 | 1.56 | 1.44 | 1.31 |
| | 89.6°F (32°C) | 73.4°F (23°C) | TC | 24.68 | 24.20 | 24.79 | 24.57 | 24.42 | 16.20 | 14.25 | 17.41 | 19.74 | 16.98 | 15.57 | 14.47 |
| | | | SC | 18.51 | 16.31 | 16.34 | 16.32 | 16.20 | 13.23 | 10.27 | 11.74 | 13.27 | 11.61 | 11.28 | 10.74 |
| | | | Input | 0.68 | 0.64 | 0.66 | 0.70 | 0.82 | 0.59 | 1.02 | 1.59 | 1.96 | 1.61 | 1.50 | 1.38 |
| 24 (208-230V) | 69.8°F (21°C) | 59°F (15°C) | TC | 18.16 | 18.16 | 18.25 | 17.19 | 17.43 | 22.95 | 19.47 | 18.78 | 20.68 | 20.04 | 15.35 | 11.63 |
| | | | SC | 13.62 | 14.71 | 14.77 | 14.16 | 14.33 | 17.00 | 15.41 | 15.19 | 16.03 | 15.74 | 13.24 | 11.31 |
| | | | Input | 0.58 | 0.54 | 0.56 | 0.41 | 0.55 | 1.04 | 1.47 | 1.63 | 2.24 | 2.59 | 2.03 | 1.63 |
| | 75.2°F (24°C) | 62.6°F (17°C) | TC | 2.13 | 2.13 | 21.68 | 20.61 | 19.01 | 24.10 | 20.87 | 24.59 | 23.93 | 22.68 | 16.31 | 12.17 |
| | | | SC | 1.60 | 16.72 | 16.89 | 16.32 | 15.58 | 17.85 | 16.48 | 18.31 | 17.98 | 17.34 | 14.22 | 11.99 |
| | | | Input | 0.82 | 0.78 | 0.86 | 0.62 | 0.63 | 1.05 | 1.47 | 2.52 | 2.75 | 3.01 | 2.05 | 1.64 |
| | 80.6°F (27°C) | 66.2°F (19°C) | TC | 26.72 | 26.72 | 24.38 | 23.15 | 23.13 | 24.90 | 22.19 | 26.29 | 25.30 | 24.28 | 17.27 | 12.94 |
| | | | SC | 20.04 | 19.63 | 18.54 | 17.91 | 18.05 | 18.54 | 17.57 | 19.38 | 18.89 | 18.44 | 15.06 | 12.74 |
| | | | Input | 1.46 | 1.42 | 1.09 | 0.81 | 1.00 | 1.06 | 1.47 | 2.55 | 2.79 | 3.05 | 2.07 | 1.65 |
| | 89.6°F (32°C) | 73.4°F (23°C) | TC | 28.65 | 28.65 | 29.74 | 29.39 | 24.88 | 26.25 | 31.26 | 28.81 | 28.33 | 27.29 | 19.13 | 14.57 |
| | | | SC | 21.49 | 15.45 | 20.25 | 20.10 | 18.45 | 18.40 | 20.75 | 19.85 | 19.58 | 19.22 | 15.85 | 13.60 |
| | | | Input | 1.53 | 1.49 | 1.43 | 1.30 | 1.07 | 1.04 | 2.37 | 2.38 | 2.85 | 3.14 | 2.11 | 1.66 |

LEGEND

DB - Dry Bulb

WB - Wet Bulb

TC - Total Net Capacity (1000 Btu/hour)

SC - Sensible Capacity (1000 Btu/hour)

Input - Total Power (kW)

HEATING PERFORMANCE - CASSETTE

| Model | HEATING | | OUTDOOR CONDITIONS (DB) | | | | | | | | | | | |
|------------------|------------------------|-------|-------------------------|---------------|--------------|-------------|-------------|-------------|---------------|---------------|------------|--------------|--------------|---------------|
| | Indoor Conditions (DB) | | -22°F (-30°C) | -13°F (-25°C) | -4°F (-20°C) | 0°F (-17°C) | 5°F (-15°C) | 17°F (-8°C) | 19.4°F (-7°C) | 24.8°F (-4°C) | 32°F (0°C) | 39.2°F (4°C) | 44.6°F (7°C) | 53.6°F (12°C) |
| 09 (208-230V) | 59°F (15°C) | TC | 7.89 | 8.23 | 9.58 | 10.31 | 11.01 | 13.28 | 13.57 | 13.99 | 14.39 | 14.90 | 15.56 | 16.99 |
| | | Input | 1.60 | 1.68 | 1.76 | 1.76 | 1.76 | 1.80 | 1.76 | 1.63 | 1.44 | 1.41 | 1.38 | 1.36 |
| | | COP | 1.31 | 1.44 | 1.60 | 1.72 | 1.83 | 2.17 | 2.26 | 2.51 | 2.92 | 3.11 | 3.30 | 3.66 |
| | 64.4°F (18°C) | TC | 7.58 | 7.75 | 9.12 | 10.01 | 10.72 | 12.81 | 13.04 | 13.39 | 13.58 | 14.19 | 15.15 | 16.39 |
| | | Input | 1.62 | 1.70 | 1.78 | 1.82 | 1.82 | 1.89 | 1.81 | 1.67 | 1.48 | 1.46 | 1.43 | 1.42 |
| | | COP | 1.28 | 1.34 | 1.51 | 1.61 | 1.72 | 1.99 | 2.11 | 2.35 | 2.69 | 2.85 | 3.10 | 3.38 |
| | 69°F (20.5°C) | TC | 7.16 | 7.32 | 8.74 | 9.76 | 10.47 | 12.46 | 12.57 | 12.76 | 12.85 | 13.76 | 14.62 | 15.88 |
| | | Input | 1.66 | 1.72 | 1.80 | 1.90 | 1.90 | 1.98 | 1.89 | 1.72 | 1.50 | 1.51 | 1.50 | 1.49 |
| | | COP | 1.20 | 1.25 | 1.43 | 1.51 | 1.62 | 1.85 | 1.95 | 2.17 | 2.51 | 2.67 | 2.85 | 3.12 |
| | 71.6°F (22°C) | TC | 6.85 | 7.02 | 8.35 | 9.47 | 10.22 | 12.01 | 12.06 | 12.26 | 12.36 | 13.27 | 14.13 | 15.39 |
| | | Input | 1.70 | 1.74 | 1.83 | 1.93 | 1.92 | 2.01 | 1.91 | 1.77 | 1.54 | 1.58 | 1.55 | 1.53 |
| | | COP | 1.08 | 1.18 | 1.34 | 1.44 | 1.56 | 1.75 | 1.85 | 2.03 | 2.35 | 2.46 | 2.67 | 2.95 |
| 12 (208-230V) | 59°F (15°C) | TC | 8.18 | 8.48 | 9.86 | 10.62 | 11.34 | 13.68 | 13.97 | 14.41 | 14.82 | 15.34 | 16.03 | 17.49 |
| | | Input | 1.64 | 1.72 | 1.80 | 1.80 | 1.81 | 1.84 | 1.80 | 1.67 | 1.48 | 1.44 | 1.42 | 1.39 |
| | | COP | 1.40 | 1.44 | 1.61 | 1.73 | 1.84 | 2.18 | 2.28 | 2.53 | 2.94 | 3.12 | 3.32 | 3.68 |
| | 64.4°F (18°C) | TC | 7.06 | 7.98 | 9.40 | 10.31 | 11.04 | 13.20 | 13.43 | 13.79 | 13.99 | 14.62 | 15.61 | 16.88 |
| | | Input | 1.67 | 1.74 | 1.82 | 1.87 | 1.87 | 1.93 | 1.86 | 1.71 | 1.52 | 1.50 | 1.47 | 1.46 |
| | | COP | 1.26 | 1.34 | 1.51 | 1.62 | 1.73 | 2.00 | 2.12 | 2.36 | 2.70 | 2.86 | 3.11 | 3.40 |
| | 69°F (20.5°C) | TC | 6.89 | 7.54 | 9.01 | 10.05 | 12.22 | 12.83 | 12.94 | 13.14 | 13.23 | 14.17 | 15.06 | 16.36 |
| | | Input | 1.73 | 1.77 | 1.85 | 1.95 | 1.98 | 2.03 | 1.94 | 1.77 | 1.55 | 1.56 | 1.55 | 1.53 |
| | | COP | 1.16 | 1.25 | 1.43 | 1.51 | 1.81 | 1.85 | 1.95 | 2.17 | 2.51 | 2.67 | 2.85 | 3.12 |
| | 71.6°F (22°C) | TC | 6.45 | 7.23 | 8.60 | 9.75 | 10.52 | 12.37 | 12.42 | 12.63 | 12.73 | 13.66 | 14.55 | 15.85 |
| | | Input | 1.71 | 1.78 | 1.87 | 1.98 | 1.97 | 2.06 | 1.96 | 1.81 | 1.58 | 1.62 | 1.59 | 1.57 |
| | | COP | 1.06 | 1.19 | 1.34 | 1.44 | 1.56 | 1.76 | 1.86 | 2.04 | 2.36 | 2.47 | 2.68 | 2.96 |
| 18 (208-230V) | 59°F (15°C) | TC | 13.06 | 13.81 | 17.11 | 18.18 | 21.00 | 21.86 | 22.11 | 23.06 | 24.69 | 25.80 | 26.81 | 28.10 |
| | | Input | 2.32 | 2.45 | 2.73 | 2.62 | 2.97 | 2.76 | 2.69 | 2.62 | 2.66 | 2.47 | 2.35 | 2.22 |
| | | COP | 1.56 | 1.65 | 1.84 | 2.03 | 2.07 | 2.32 | 2.41 | 2.58 | 2.72 | 3.06 | 3.35 | 3.71 |
| | 64.4°F (18°C) | TC | 12.41 | 13.12 | 16.32 | 17.45 | 20.23 | 21.07 | 21.36 | 22.12 | 23.45 | 24.53 | 25.78 | 26.80 |
| | | Input | 2.39 | 2.53 | 2.78 | 2.83 | 3.09 | 2.87 | 2.75 | 2.68 | 2.74 | 2.56 | 2.42 | 2.26 |
| | | COP | 1.44 | 1.52 | 1.72 | 1.81 | 1.92 | 2.15 | 2.28 | 2.42 | 2.51 | 2.81 | 3.12 | 3.48 |
| | 69°F (20.5°C) | TC | 11.91 | 12.59 | 15.67 | 16.68 | 19.01 | 20.59 | 20.89 | 21.34 | 22.54 | 23.79 | 24.63 | 25.40 |
| | | Input | 2.41 | 2.55 | 2.82 | 2.89 | 3.18 | 2.93 | 2.82 | 2.77 | 2.81 | 2.67 | 2.53 | 2.43 |
| | | COP | 1.37 | 1.45 | 1.63 | 1.69 | 1.75 | 2.06 | 2.17 | 2.26 | 2.35 | 2.61 | 2.85 | 3.06 |
| | 71.6°F (22°C) | TC | 11.44 | 12.09 | 14.72 | 15.97 | 18.15 | 20.16 | 20.34 | 20.91 | 21.53 | 22.57 | 23.53 | 24.00 |
| | | Input | 2.53 | 2.67 | 2.82 | 2.98 | 3.32 | 3.25 | 3.19 | 2.95 | 2.75 | 2.60 | 2.59 | 2.40 |
| | | COP | 1.28 | 1.35 | 1.53 | 1.57 | 1.60 | 1.82 | 1.87 | 2.08 | 2.29 | 2.54 | 2.67 | 2.93 |
| 24 (208-230V) | 59°F (15°C) | TC | 15.01 | 18.89 | 23.64 | 26.12 | 25.70 | 29.31 | 29.18 | 31.17 | 29.65 | 33.71 | 33.06 | 34.64 |
| | | Input | 3.22 | 3.57 | 4.16 | 4.40 | 4.00 | 4.05 | 3.91 | 4.05 | 3.36 | 3.69 | 3.16 | 3.01 |
| | | COP | 1.37 | 1.55 | 1.66 | 1.74 | 1.88 | 2.12 | 2.19 | 2.25 | 2.59 | 2.68 | 3.07 | 3.37 |
| | 64.4°F (18°C) | TC | 14.95 | 18.82 | 23.31 | 24.17 | 25.15 | 28.92 | 28.77 | 30.50 | 28.72 | 33.27 | 32.20 | 33.40 |
| | | Input | 3.28 | 3.66 | 4.29 | 4.14 | 4.07 | 4.25 | 4.06 | 4.21 | 3.45 | 3.84 | 3.26 | 3.09 |
| | | COP | 1.33 | 1.51 | 1.59 | 1.71 | 1.81 | 2.00 | 2.08 | 2.15 | 2.44 | 2.54 | 2.90 | 3.17 |
| | 69°F (20.5°C) | TC | 14.68 | 18.50 | 23.01 | 22.84 | 24.57 | 28.54 | 28.36 | 30.05 | 29.84 | 32.51 | 31.39 | 30.99 |
| | | Input | 3.37 | 3.75 | 4.41 | 3.94 | 4.13 | 4.40 | 4.20 | 4.37 | 3.71 | 3.93 | 3.34 | 3.02 |
| | | COP | 1.28 | 1.44 | 1.53 | 1.70 | 1.74 | 1.90 | 1.98 | 2.02 | 2.35 | 2.43 | 2.75 | 3.01 |
| | 71.6°F (22°C) | TC | 14.50 | 18.84 | 22.13 | 22.04 | 24.32 | 27.23 | 29.78 | 29.78 | 29.48 | 32.16 | 30.88 | 30.48 |
| | | Input | 3.44 | 3.88 | 4.29 | 3.83 | 4.18 | 4.22 | 4.46 | 4.46 | 3.78 | 4.00 | 3.40 | 3.08 |
| | | COP | 1.24 | 1.42 | 1.51 | 1.69 | 1.70 | 1.89 | 1.96 | 1.96 | 2.29 | 2.36 | 2.66 | 2.90 |

LEGEND

DB - Dry Bulb
 TC - Total Net Capacity (1000 Btu/hour)
 Input - Total Power (kW)
 COP - W/W

COOLING PERFORMANCE - DUCTED

| Model | COOLING | | OUTDOOR CONDITIONS (DB) | | | | | | | | | | | | | | |
|------------------|------------------------|---------------|-------------------------|-------|-------|---------------|--------------|-------------|-------------|-------------|------------|-------------|-------------|-------------|--------------|--------------|--------------|
| | Indoor Conditions (DB) | | TC | SC | Input | -13°F (-25°C) | -4°F (-20°C) | 0°F (-17°C) | 5°F (-15°C) | 17°F (-8°C) | 47°F (8°C) | 77°F (25°C) | 86°F (30°C) | 95°F (35°C) | 104°F (40°C) | 113°F (45°C) | 122°F (50°C) |
| | DB | WB | | | | | | | | | | | | | | | |
| 09 (208-230V) | 69.8°F (21°C) | 59°F (15°C) | TC | 11.55 | 10.32 | 11.29 | 11.36 | 10.70 | 8.85 | 9.81 | 9.82 | 10.21 | 7.97 | 7.66 | 7.02 | | |
| | | | SC | 8.09 | 7.76 | 8.32 | 8.25 | 7.76 | 7.20 | 7.26 | 7.36 | 7.25 | 6.69 | 6.13 | 5.69 | | |
| | | | Input | 0.39 | 0.61 | 0.58 | 0.56 | 0.64 | 0.87 | 0.72 | 0.93 | 1.23 | 1.06 | 0.98 | 0.91 | | |
| | 75.2°F (24°C) | 62.6°F (17°C) | TC | 12.35 | 12.11 | 11.96 | 12.00 | 11.55 | 12.17 | 10.89 | 11.01 | 10.89 | 8.66 | 8.33 | 7.83 | | |
| | | | SC | 8.64 | 8.96 | 9.09 | 8.91 | 8.69 | 8.74 | 7.73 | 7.82 | 7.84 | 6.76 | 6.67 | 6.42 | | |
| | | | Input | 0.39 | 0.55 | 0.61 | 0.60 | 0.68 | 0.99 | 0.72 | 0.94 | 1.23 | 1.06 | 1.00 | 0.94 | | |
| | 80.6°F (27°C) | 66.2°F (19°C) | TC | 13.02 | 12.38 | 12.19 | 12.36 | 12.39 | 12.52 | 11.74 | 12.11 | 11.87 | 9.62 | 9.12 | 8.62 | | |
| | | | SC | 9.12 | 9.30 | 9.19 | 9.24 | 8.95 | 8.09 | 7.63 | 8.11 | 8.19 | 7.31 | 7.39 | 7.07 | | |
| | | | Input | 0.39 | 0.57 | 0.62 | 0.61 | 0.70 | 0.89 | 0.74 | 0.96 | 1.25 | 1.08 | 1.01 | 0.97 | | |
| | 89.6°F (32°C) | 73.4°F (23°C) | TC | 13.98 | 12.20 | 13.35 | 13.09 | 12.24 | 10.29 | 12.25 | 12.60 | 12.23 | 10.53 | 9.82 | 9.13 | | |
| | | | SC | 9.78 | 9.40 | 9.48 | 9.33 | 8.99 | 8.50 | 7.96 | 8.44 | 8.44 | 8.00 | 7.96 | 7.48 | | |
| | | | Input | 0.40 | 0.62 | 0.61 | 0.65 | 0.71 | 0.98 | 0.76 | 0.99 | 1.27 | 1.12 | 1.06 | 0.98 | | |
| 12 (208-230V) | 69.8°F (21°C) | 59°F (15°C) | TC | 11.00 | 10.55 | 11.56 | 11.65 | 11.00 | 9.06 | 9.81 | 9.82 | 10.21 | 7.97 | 7.66 | 7.02 | | |
| | | | SC | 7.70 | 7.97 | 8.53 | 8.47 | 8.15 | 7.41 | 7.26 | 7.36 | 7.25 | 6.69 | 6.13 | 5.69 | | |
| | | | Input | 0.80 | 0.63 | 0.59 | 0.57 | 0.65 | 0.89 | 0.72 | 0.93 | 1.23 | 1.06 | 0.98 | 0.91 | | |
| | 75.2°F (24°C) | 62.6°F (17°C) | TC | 12.36 | 12.35 | 12.20 | 12.25 | 11.79 | 9.63 | 10.89 | 11.01 | 10.89 | 8.66 | 8.33 | 7.83 | | |
| | | | SC | 8.65 | 9.14 | 9.28 | 9.09 | 8.86 | 8.06 | 7.73 | 7.82 | 7.84 | 6.76 | 6.67 | 6.42 | | |
| | | | Input | 0.95 | 0.56 | 0.62 | 0.61 | 0.69 | 0.93 | 0.72 | 0.94 | 1.23 | 1.06 | 1.00 | 0.94 | | |
| | 80.6°F (27°C) | 66.2°F (19°C) | TC | 13.21 | 12.64 | 12.44 | 12.61 | 11.98 | 12.33 | 11.74 | 12.11 | 11.87 | 9.62 | 9.12 | 8.62 | | |
| | | | SC | 9.25 | 9.49 | 9.38 | 9.42 | 9.13 | 9.48 | 7.63 | 8.11 | 8.19 | 7.31 | 7.39 | 7.07 | | |
| | | | Input | 0.97 | 0.58 | 0.63 | 0.62 | 0.71 | 0.91 | 0.74 | 0.96 | 1.25 | 1.08 | 1.01 | 0.97 | | |
| | 89.6°F (32°C) | 73.4°F (23°C) | TC | 14.37 | 12.45 | 13.63 | 13.36 | 12.49 | 10.50 | 12.25 | 12.60 | 12.23 | 10.53 | 9.82 | 9.13 | | |
| | | | SC | 10.06 | 9.59 | 9.67 | 9.52 | 9.17 | 8.67 | 7.96 | 8.44 | 8.44 | 8.00 | 7.96 | 7.48 | | |
| | | | Input | 0.98 | 0.64 | 0.62 | 0.66 | 0.72 | 1.00 | 0.76 | 0.99 | 1.27 | 1.12 | 1.06 | 0.98 | | |
| 18 (208-230V) | 69.8°F (21°C) | 59°F (15°C) | TC | 16.46 | 16.39 | 16.13 | 16.23 | 16.82 | 14.27 | 11.29 | 12.79 | 17.20 | 12.58 | 11.90 | 10.90 | | |
| | | | SC | 11.52 | 12.64 | 12.53 | 12.62 | 12.80 | 11.62 | 9.50 | 10.06 | 12.27 | 10.08 | 9.47 | 8.91 | | |
| | | | Input | 1.29 | 0.96 | 0.95 | 0.96 | 0.94 | 0.60 | 0.66 | 1.07 | 1.89 | 1.49 | 1.40 | 1.26 | | |
| | 75.2°F (24°C) | 62.6°F (17°C) | TC | 17.64 | 17.19 | 17.14 | 17.16 | 17.48 | 15.01 | 12.46 | 14.33 | 18.29 | 13.58 | 12.87 | 12.14 | | |
| | | | SC | 12.35 | 13.42 | 13.39 | 13.43 | 13.52 | 12.43 | 9.72 | 10.55 | 12.58 | 10.23 | 9.67 | 9.09 | | |
| | | | Input | 1.31 | 0.97 | 0.95 | 0.97 | 0.95 | 0.62 | 0.69 | 1.25 | 1.94 | 1.35 | 1.33 | 1.23 | | |
| | 80.6°F (27°C) | 66.2°F (19°C) | TC | 18.78 | 18.23 | 18.28 | 18.22 | 18.34 | 18.37 | 13.67 | 16.73 | 19.15 | 15.51 | 14.46 | 13.67 | | |
| | | | SC | 13.15 | 14.14 | 14.14 | 14.23 | 14.09 | 14.53 | 9.89 | 11.34 | 12.65 | 11.18 | 10.85 | 9.84 | | |
| | | | Input | 1.32 | 0.93 | 0.96 | 0.99 | 0.78 | 1.02 | 1.01 | 1.52 | 1.94 | 1.56 | 1.43 | 1.31 | | |
| | 89.6°F (32°C) | 73.4°F (23°C) | TC | 24.38 | 24.05 | 24.81 | 24.52 | 24.44 | 16.24 | 14.26 | 17.42 | 19.74 | 16.97 | 15.57 | 14.47 | | |
| | | | SC | 14.97 | 16.21 | 16.36 | 16.29 | 16.22 | 13.25 | 10.28 | 11.73 | 13.26 | 11.63 | 11.23 | 10.76 | | |
| | | | Input | 0.60 | 0.64 | 0.66 | 0.70 | 0.82 | 0.59 | 1.03 | 1.58 | 1.97 | 1.60 | 1.51 | 1.38 | | |
| 24 (208-230V) | 69.8°F (21°C) | 59°F (15°C) | TC | 26.44 | 23.54 | 23.67 | 23.69 | 23.71 | 25.80 | 23.20 | 22.99 | 21.24 | 18.40 | 16.65 | 15.82 | | |
| | | | SC | 18.51 | 17.35 | 17.42 | 17.57 | 17.59 | 18.69 | 17.63 | 17.47 | 16.57 | 15.09 | 12.21 | 11.79 | | |
| | | | Input | 1.43 | 1.85 | 1.90 | 1.93 | 1.97 | 1.70 | 2.02 | 2.45 | 2.71 | 2.60 | 2.11 | 1.88 | | |
| | 75.2°F (24°C) | 62.6°F (17°C) | TC | 27.96 | 24.02 | 24.18 | 24.17 | 24.10 | 27.51 | 25.42 | 25.13 | 27.89 | 21.12 | 18.56 | 17.58 | | |
| | | | SC | 19.57 | 17.95 | 18.08 | 18.19 | 18.17 | 19.75 | 15.24 | 15.65 | 15.56 | 14.51 | 14.85 | 14.42 | | |
| | | | Input | 1.45 | 1.76 | 1.78 | 1.81 | 1.77 | 1.79 | 2.05 | 2.48 | 2.75 | 2.64 | 2.14 | 1.91 | | |
| | 80.6°F (27°C) | 66.2°F (19°C) | TC | 29.14 | 24.78 | 24.52 | 25.20 | 25.35 | 29.63 | 28.14 | 27.61 | 25.21 | 21.99 | 19.98 | 18.02 | | |
| | | | SC | 20.40 | 18.63 | 18.62 | 19.02 | 19.09 | 20.95 | 19.42 | 19.05 | 17.90 | 16.72 | 15.98 | 14.78 | | |
| | | | Input | 1.46 | 1.74 | 1.68 | 1.84 | 1.80 | 1.90 | 2.10 | 2.52 | 2.79 | 2.68 | 2.16 | 1.94 | | |
| | 89.6°F (32°C) | 73.4°F (23°C) | TC | 32.85 | 26.95 | 27.47 | 27.65 | 27.50 | 33.53 | 30.15 | 30.08 | 28.64 | 22.68 | 20.22 | 19.22 | | |
| | | | SC | 23.00 | 18.97 | 19.18 | 19.34 | 19.35 | 21.61 | 21.41 | 21.36 | 20.91 | 17.01 | 16.18 | 15.76 | | |
| | | | Input | 1.50 | 1.74 | 1.76 | 1.81 | 1.75 | 2.09 | 2.12 | 2.58 | 2.81 | 2.72 | 2.20 | 1.97 | | |

LEGEND

- DB - Dry Bulb
- WB - Wet Bulb
- TC - Total Net Capacity (1000 Btu/hour)
- SC - Sensible Capacity (1000 Btu/hour)
- Input - Total Power (kW)

HEATING PERFORMANCE - DUCTED

| Model | HEATING | | OUTDOOR CONDITIONS (DB) | | | | | | | | | | | |
|------------------|------------------------|-------|-------------------------|---------------|--------------|-------------|-------------|-------------|---------------|---------------|------------|--------------|--------------|---------------|
| | Indoor Conditions (DB) | | -22°F (-30°C) | -13°F (-25°C) | -4°F (-20°C) | 0°F (-17°C) | 5°F (-15°C) | 17°F (-8°C) | 19.4°F (-7°C) | 24.8°F (-4°C) | 32°F (0°C) | 39.2°F (4°C) | 44.6°F (7°C) | 53.6°F (12°C) |
| 09 (208-230V) | 59°F (15°C) | TC | 8.33 | 8.66 | 9.42 | 10.50 | 11.19 | 12.70 | 12.99 | 13.75 | 14.62 | 15.31 | 15.96 | 17.20 |
| | | Input | 1.67 | 1.70 | 1.76 | 1.80 | 1.81 | 1.85 | 1.87 | 1.67 | 1.41 | 1.39 | 1.33 | 1.30 |
| | | COP | 1.43 | 1.49 | 1.57 | 1.71 | 1.81 | 2.01 | 2.04 | 2.42 | 3.03 | 3.24 | 3.52 | 3.88 |
| | 64.4°F (18°C) | TC | 8.23 | 8.60 | 9.22 | 10.01 | 11.13 | 12.50 | 13.00 | 13.70 | 14.43 | 14.91 | 15.42 | 16.62 |
| | | Input | 1.70 | 1.82 | 1.89 | 1.83 | 1.85 | 1.88 | 1.89 | 1.70 | 1.49 | 1.45 | 1.39 | 1.36 |
| | | COP | 1.35 | 1.39 | 1.43 | 1.60 | 1.76 | 1.95 | 2.02 | 2.36 | 2.84 | 3.02 | 3.26 | 3.59 |
| | 69°F (20.5°C) | TC | 8.14 | 8.35 | 8.91 | 9.25 | 11.07 | 12.21 | 12.73 | 13.67 | 14.27 | 14.68 | 15.02 | 16.10 |
| | | Input | 1.76 | 1.99 | 2.05 | 1.92 | 1.89 | 1.90 | 1.90 | 1.78 | 1.56 | 1.57 | 1.44 | 1.41 |
| | | COP | 1.32 | 1.23 | 1.27 | 1.41 | 1.72 | 1.88 | 1.96 | 2.26 | 2.68 | 2.74 | 3.06 | 3.34 |
| | 71.6°F (22°C) | TC | 8.07 | 8.25 | 8.71 | 9.00 | 10.87 | 12.01 | 12.43 | 13.35 | 14.01 | 14.30 | 14.66 | 15.67 |
| | | Input | 1.80 | 2.00 | 2.10 | 1.96 | 1.93 | 1.93 | 1.94 | 1.81 | 1.62 | 1.60 | 1.50 | 1.48 |
| | | COP | 1.03 | 1.21 | 1.22 | 1.35 | 1.65 | 1.83 | 1.87 | 2.16 | 2.54 | 2.61 | 2.87 | 3.11 |
| 12 (208-230V) | 59°F (15°C) | TC | 8.08 | 8.88 | 9.66 | 10.76 | 11.47 | 13.01 | 13.31 | 14.09 | 14.98 | 15.69 | 16.36 | 17.63 |
| | | Input | 1.59 | 1.74 | 1.80 | 1.84 | 1.86 | 1.90 | 1.91 | 1.71 | 1.45 | 1.42 | 1.36 | 1.33 |
| | | COP | 1.36 | 1.49 | 1.57 | 1.71 | 1.81 | 2.01 | 2.04 | 2.42 | 3.03 | 3.24 | 3.52 | 3.88 |
| | 64.4°F (18°C) | TC | 8.02 | 8.81 | 9.45 | 10.26 | 11.41 | 12.81 | 13.32 | 14.04 | 14.79 | 15.28 | 15.81 | 17.04 |
| | | Input | 1.69 | 1.86 | 1.94 | 1.88 | 1.90 | 1.93 | 1.93 | 1.74 | 1.53 | 1.48 | 1.42 | 1.39 |
| | | COP | 1.26 | 1.39 | 1.43 | 1.60 | 1.76 | 1.95 | 2.02 | 2.36 | 2.84 | 3.02 | 3.26 | 3.59 |
| | 69°F (20.5°C) | TC | 7.79 | 8.56 | 9.13 | 9.48 | 12.30 | 12.51 | 13.04 | 14.01 | 14.63 | 15.05 | 15.40 | 16.50 |
| | | Input | 1.85 | 2.03 | 2.10 | 1.97 | 1.99 | 1.95 | 1.95 | 1.82 | 1.60 | 1.61 | 1.47 | 1.45 |
| | | COP | 1.12 | 1.23 | 1.27 | 1.41 | 1.82 | 1.88 | 1.96 | 2.26 | 2.68 | 2.74 | 3.06 | 3.34 |
| | 71.6°F (22°C) | TC | 7.70 | 8.46 | 8.92 | 9.22 | 11.14 | 12.31 | 12.74 | 13.68 | 14.36 | 14.66 | 15.02 | 16.06 |
| | | Input | 1.86 | 2.04 | 2.15 | 2.00 | 1.98 | 1.98 | 1.99 | 1.86 | 1.66 | 1.64 | 1.54 | 1.51 |
| | | COP | 1.12 | 1.23 | 1.27 | 1.41 | 1.82 | 1.88 | 1.96 | 2.26 | 2.68 | 2.74 | 3.06 | 3.34 |
| 18 (208-230V) | 59°F (15°C) | TC | 12.85 | 13.81 | 17.01 | 18.08 | 21.10 | 21.76 | 22.02 | 23.01 | 24.59 | 25.70 | 26.71 | 28.22 |
| | | Input | 2.29 | 2.46 | 2.72 | 2.60 | 2.97 | 2.76 | 2.69 | 2.62 | 2.66 | 2.47 | 2.33 | 2.21 |
| | | COP | 1.53 | 1.65 | 1.83 | 2.04 | 2.08 | 2.31 | 2.40 | 2.57 | 2.71 | 3.05 | 3.35 | 3.75 |
| | 64.4°F (18°C) | TC | 12.15 | 13.06 | 16.23 | 17.36 | 20.13 | 21.00 | 21.27 | 22.02 | 23.36 | 24.43 | 25.67 | 26.69 |
| | | Input | 2.35 | 2.52 | 2.79 | 2.83 | 3.08 | 2.88 | 2.74 | 2.68 | 2.72 | 2.58 | 2.43 | 2.25 |
| | | COP | 1.41 | 1.52 | 1.71 | 1.80 | 1.92 | 2.14 | 2.27 | 2.41 | 2.52 | 2.78 | 3.10 | 3.47 |
| | 69°F (20.5°C) | TC | 11.65 | 12.51 | 15.56 | 16.60 | 18.92 | 20.50 | 20.79 | 21.22 | 22.45 | 23.69 | 24.52 | 25.29 |
| | | Input | 2.36 | 2.53 | 2.81 | 2.89 | 3.17 | 2.92 | 2.83 | 2.77 | 2.83 | 2.66 | 2.52 | 2.43 |
| | | COP | 1.35 | 1.45 | 1.62 | 1.69 | 1.75 | 2.06 | 2.15 | 2.25 | 2.32 | 2.61 | 2.85 | 3.05 |
| | 71.6°F (22°C) | TC | 11.17 | 12.00 | 14.61 | 15.87 | 18.05 | 20.07 | 20.26 | 20.82 | 21.42 | 22.48 | 23.44 | 23.89 |
| | | Input | 2.49 | 2.68 | 2.80 | 2.98 | 3.33 | 3.25 | 3.18 | 2.95 | 2.76 | 2.61 | 2.58 | 2.39 |
| | | COP | 1.22 | 1.31 | 1.53 | 1.56 | 1.59 | 1.81 | 1.87 | 2.07 | 2.28 | 2.52 | 2.66 | 2.93 |
| 24 (208-230V) | 59°F (15°C) | TC | 16.39 | 17.61 | 21.66 | 23.69 | 26.56 | 27.33 | 27.63 | 28.87 | 29.61 | 30.56 | 31.86 | 34.75 |
| | | Input | 3.13 | 3.40 | 3.68 | 3.98 | 3.98 | 3.53 | 3.48 | 3.35 | 3.26 | 3.05 | 2.89 | 2.77 |
| | | COP | 1.40 | 1.52 | 1.73 | 1.75 | 1.95 | 2.27 | 2.32 | 2.52 | 2.66 | 2.94 | 3.23 | 3.68 |
| | 64.4°F (18°C) | TC | 15.59 | 16.89 | 20.82 | 23.02 | 25.87 | 26.98 | 27.01 | 27.98 | 28.58 | 29.51 | 30.75 | 33.66 |
| | | Input | 3.30 | 3.58 | 3.81 | 4.02 | 4.03 | 3.92 | 3.86 | 3.52 | 3.43 | 3.23 | 3.01 | 2.83 |
| | | COP | 1.27 | 1.38 | 1.60 | 1.68 | 1.88 | 2.02 | 2.05 | 2.33 | 2.44 | 2.67 | 2.99 | 3.49 |
| | 69°F (20.5°C) | TC | 15.25 | 16.52 | 20.44 | 22.75 | 25.04 | 26.35 | 26.68 | 27.22 | 27.94 | 28.94 | 29.72 | 32.52 |
| | | Input | 3.55 | 3.85 | 4.13 | 4.29 | 4.44 | 4.20 | 4.11 | 3.73 | 3.61 | 3.44 | 3.21 | 3.07 |
| | | COP | 1.16 | 1.26 | 1.45 | 1.56 | 1.65 | 1.84 | 1.90 | 2.14 | 2.27 | 2.47 | 2.71 | 3.10 |
| | 71.6°F (22°C) | TC | 14.44 | 15.65 | 19.05 | 21.02 | 23.16 | 23.84 | 24.11 | 25.65 | 26.64 | 27.57 | 28.81 | 30.91 |
| | | Input | 3.66 | 3.97 | 4.19 | 4.33 | 4.51 | 4.32 | 4.22 | 3.82 | 3.68 | 3.34 | 3.28 | 2.98 |
| | | COP | 1.06 | 1.15 | 1.33 | 1.42 | 1.51 | 1.61 | 1.67 | 1.98 | 2.12 | 2.42 | 2.57 | 3.04 |

LEGEND

DB - Dry Bulb
 TC - Total Net Capacity (1000 Btu/hour)
 Input - Total Power (kW)
 COP - W/W

COOLING PERFORMANCE - CONSOLE

| Model | COOLING | | OUTDOOR CONDITIONS (DB) | | | | | | | | | | | | |
|------------------|------------------------|---------------|-------------------------|---------------|--------------|-------------|-------------|-------------|------------|-------------|-------------|-------------|--------------|--------------|--------------|
| | Indoor Conditions (DB) | | TC | -13°F (-25°C) | -4°F (-20°C) | 0°F (-17°C) | 5°F (-15°C) | 17°F (-8°C) | 47°F (8°C) | 77°F (25°C) | 86°F (30°C) | 95°F (35°C) | 104°F (40°C) | 113°F (45°C) | 122°F (50°C) |
| | DB | WB | | SC | Input | TC | SC | Input | TC | SC | Input | TC | SC | Input | TC |
| 12 (208-230V) | 69.8°F (21°C) | 59°F (15°C) | TC | 12.33 | 10.57 | 11.60 | 11.71 | 10.92 | 9.00 | 8.47 | 8.26 | 7.79 | 6.49 | 6.04 | 5.53 |
| | | | SC | 8.63 | 7.99 | 8.57 | 8.52 | 8.09 | 7.37 | 6.35 | 6.28 | 6.00 | 5.39 | 4.89 | 4.70 |
| | | | Input | 0.60 | 0.63 | 0.59 | 0.58 | 0.65 | 0.89 | 0.68 | 0.88 | 1.15 | 1.00 | 0.93 | 0.91 |
| | 75.2°F (24°C) | 62.6°F (17°C) | TC | 13.92 | 12.38 | 12.25 | 12.31 | 11.70 | 9.57 | 9.56 | 9.06 | 8.33 | 7.12 | 6.75 | 6.12 |
| | | | SC | 9.75 | 9.16 | 9.32 | 9.13 | 8.80 | 8.01 | 7.45 | 6.88 | 6.50 | 5.77 | 5.47 | 5.20 |
| | | | Input | 0.63 | 0.56 | 0.62 | 0.62 | 0.69 | 0.93 | 0.70 | 0.89 | 1.16 | 1.01 | 0.97 | 0.93 |
| | 80.6°F (27°C) | 66.2°F (19°C) | TC | 15.01 | 12.66 | 12.49 | 12.68 | 11.90 | 12.26 | 10.59 | 9.90 | 9.30 | 7.78 | 7.32 | 6.86 |
| | | | SC | 10.51 | 9.51 | 9.42 | 9.47 | 9.06 | 9.43 | 6.25 | 7.03 | 6.51 | 5.91 | 5.93 | 5.76 |
| | | | Input | 0.64 | 0.58 | 0.63 | 0.63 | 0.71 | 0.91 | 0.70 | 0.91 | 1.18 | 1.02 | 1.00 | 0.96 |
| | 89.6°F (32°C) | 73.4°F (23°C) | TC | 16.61 | 12.48 | 13.68 | 13.42 | 12.40 | 10.43 | 11.87 | 11.02 | 10.11 | 8.56 | 8.02 | 7.66 |
| | | | SC | 11.62 | 9.61 | 9.71 | 9.57 | 9.10 | 8.62 | 8.42 | 7.83 | 7.38 | 6.42 | 6.10 | 6.13 |
| | | | Input | 0.65 | 0.64 | 0.62 | 0.67 | 0.72 | 1.00 | 0.73 | 0.95 | 1.22 | 1.08 | 1.01 | 0.99 |
| 18 (208-230V) | 69.8°F (21°C) | 59°F (15°C) | TC | 19.45 | 17.69 | 20.93 | 19.11 | 21.35 | 16.05 | 17.43 | 16.68 | 17.52 | 13.55 | 12.01 | 9.86 |
| | | | SC | 13.62 | 13.34 | 15.21 | 13.97 | 12.30 | 11.87 | 12.59 | 12.15 | 12.59 | 11.45 | 10.70 | 9.74 |
| | | | Input | 0.88 | 0.77 | 1.12 | 0.81 | 1.47 | 1.04 | 1.28 | 1.47 | 1.87 | 1.51 | 1.48 | 1.55 |
| | 75.2°F (24°C) | 62.6°F (17°C) | TC | 21.20 | 22.14 | 21.99 | 23.25 | 21.44 | 16.97 | 17.29 | 17.20 | 19.10 | 14.19 | 12.59 | 10.90 |
| | | | SC | 16.96 | 15.65 | 15.56 | 16.15 | 15.37 | 13.30 | 13.44 | 13.79 | 14.27 | 12.21 | 11.46 | 10.76 |
| | | | Input | 0.92 | 1.19 | 1.30 | 1.56 | 1.59 | 1.09 | 1.10 | 14.92 | 1.95 | 1.53 | 1.49 | 1.56 |
| | 80.6°F (27°C) | 66.2°F (19°C) | TC | 22.62 | 23.11 | 22.64 | 24.02 | 22.72 | 18.42 | 20.12 | 19.33 | 20.38 | 15.16 | 13.56 | 11.53 |
| | | | SC | 18.09 | 16.29 | 16.00 | 16.69 | 16.28 | 14.38 | 14.90 | 14.50 | 15.11 | 13.10 | 12.28 | 11.52 |
| | | | Input | 0.93 | 1.26 | 1.40 | 1.66 | 1.71 | 1.14 | 1.30 | 1.49 | 1.98 | 1.54 | 1.52 | 1.57 |
| | 89.6°F (32°C) | 73.4°F (23°C) | TC | 25.08 | 24.66 | 19.07 | 25.14 | 25.27 | 22.70 | 24.57 | 21.85 | 22.60 | 17.24 | 14.59 | 13.24 |
| | | | SC | 17.56 | 16.36 | 13.94 | 16.62 | 16.71 | 15.82 | 16.19 | 15.16 | 15.63 | 13.93 | 13.21 | 12.62 |
| | | | Input | 0.95 | 1.37 | 0.75 | 1.89 | 1.98 | 1.58 | 1.56 | 1.51 | 2.03 | 1.56 | 1.58 | 1.60 |
| 24 (208-230V) | 69.8°F (21°C) | 59°F (15°C) | TC | 28.91 | 24.79 | 25.00 | 24.78 | 24.67 | 24.17 | 22.98 | 26.39 | 26.05 | 25.25 | 15.41 | 12.35 |
| | | | SC | 20.24 | 18.38 | 18.56 | 18.40 | 18.21 | 18.13 | 17.58 | 19.41 | 19.21 | 18.83 | 13.77 | 12.04 |
| | | | Input | 1.31 | 1.56 | 1.57 | 1.44 | 1.33 | 1.06 | 1.49 | 2.33 | 2.78 | 3.06 | 2.03 | 1.65 |
| | 75.2°F (24°C) | 62.6°F (17°C) | TC | 30.87 | 26.29 | 26.60 | 26.21 | 26.03 | 24.83 | 24.48 | 29.54 | 27.81 | 26.80 | 16.53 | 13.07 |
| | | | SC | 21.61 | 19.61 | 19.72 | 19.45 | 19.23 | 18.81 | 18.77 | 21.24 | 20.47 | 20.00 | 14.64 | 12.73 |
| | | | Input | 1.33 | 1.61 | 1.63 | 1.47 | 1.35 | 1.06 | 1.48 | 2.59 | 2.83 | 3.10 | 2.05 | 1.66 |
| | 80.6°F (27°C) | 66.2°F (19°C) | TC | 32.35 | 27.87 | 27.90 | 27.74 | 27.29 | 25.44 | 26.36 | 30.74 | 29.14 | 28.06 | 17.00 | 13.67 |
| | | | SC | 22.64 | 20.59 | 20.67 | 20.48 | 20.47 | 19.41 | 20.02 | 22.05 | 21.24 | 20.88 | 15.31 | 13.34 |
| | | | Input | 1.34 | 1.68 | 1.61 | 1.51 | 1.39 | 1.06 | 1.49 | 2.52 | 2.85 | 3.13 | 2.06 | 1.67 |
| | 89.6°F (32°C) | 73.4°F (23°C) | TC | 35.52 | 31.88 | 30.24 | 30.78 | 30.05 | 26.20 | 37.03 | 33.82 | 32.00 | 31.19 | 18.82 | 15.39 |
| | | | SC | 24.87 | 21.68 | 20.90 | 21.07 | 21.03 | 19.23 | 23.71 | 22.49 | 21.97 | 21.58 | 16.19 | 14.43 |
| | | | Input | 1.37 | 1.83 | 1.60 | 1.67 | 1.43 | 1.05 | 2.44 | 2.42 | 2.92 | 3.22 | 2.09 | 1.68 |

LEGEND

- DB - Dry Bulb
- WB - Wet Bulb
- TC - Total Net Capacity (1000 Btu/hour)
- SC - Sensible Capacity (1000 Btu/hour)
- Input - Total Power (kW)

HEATING PERFORMANCE - CONSOLE

| Model | HEATING | | OUTDOOR CONDITIONS (DB) | | | | | | | | | | | |
|------------------|------------------------|-------|-------------------------|---------------|--------------|-------------|-------------|-------------|---------------|---------------|------------|--------------|--------------|---------------|
| | Indoor Conditions (DB) | | -22°F (-30°C) | -13°F (-25°C) | -4°F (-20°C) | 0°F (-17°C) | 5°F (-15°C) | 17°F (-8°C) | 19.4°F (-7°C) | 24.8°F (-4°C) | 32°F (0°C) | 39.2°F (4°C) | 44.6°F (7°C) | 53.6°F (12°C) |
| 12 (208-230V) | 59°F (15°C) | TC | 7.46 | 8.34 | 8.88 | 9.60 | 10.68 | 12.96 | 13.21 | 13.59 | 14.02 | 14.32 | 14.66 | 16.43 |
| | | Input | 1.57 | 1.76 | 1.79 | 1.91 | 1.91 | 1.90 | 1.83 | 1.64 | 1.48 | 1.47 | 1.46 | 1.41 |
| | | COP | 1.24 | 1.39 | 1.45 | 1.47 | 1.64 | 2.00 | 2.11 | 2.42 | 2.77 | 2.86 | 2.95 | 3.40 |
| | 64.4°F (18°C) | TC | 7.36 | 8.22 | 8.78 | 9.41 | 10.44 | 12.44 | 12.69 | 12.98 | 13.38 | 14.11 | 14.75 | 15.71 |
| | | Input | 1.62 | 1.81 | 1.86 | 1.93 | 1.96 | 2.01 | 1.81 | 1.66 | 1.51 | 1.50 | 1.48 | 1.50 |
| | | COP | 1.19 | 1.33 | 1.39 | 1.43 | 1.56 | 1.82 | 2.05 | 2.30 | 2.59 | 2.75 | 2.92 | 3.07 |
| | 69°F (20.5°C) | TC | 7.29 | 8.15 | 8.62 | 9.25 | 12.01 | 11.83 | 12.06 | 12.44 | 12.76 | 13.89 | 14.81 | 14.61 |
| | | Input | 1.66 | 1.86 | 1.89 | 1.94 | 2.00 | 2.06 | 2.03 | 1.66 | 1.55 | 1.52 | 1.50 | 1.58 |
| | | COP | 1.15 | 1.29 | 1.34 | 1.39 | 1.76 | 1.68 | 1.74 | 2.20 | 2.42 | 2.67 | 2.90 | 2.71 |
| | 71.6°F (22°C) | TC | 7.20 | 8.05 | 8.58 | 9.22 | 9.83 | 11.41 | 11.64 | 12.06 | 12.36 | 13.70 | 14.54 | 13.96 |
| | | Input | 1.69 | 1.89 | 1.91 | 1.99 | 2.04 | 2.15 | 2.12 | 1.70 | 1.59 | 1.54 | 1.52 | 1.54 |
| | | COP | 1.12 | 1.25 | 1.31 | 1.35 | 1.41 | 1.56 | 1.61 | 2.08 | 2.27 | 2.61 | 2.81 | 2.67 |
| 18 (208-230V) | 59°F (15°C) | TC | 12.08 | 15.90 | 17.65 | 19.03 | 18.71 | 23.05 | 23.51 | 20.27 | 21.41 | 24.08 | 22.34 | 23.55 |
| | | Input | 2.78 | 3.37 | 3.35 | 3.38 | 3.14 | 3.53 | 3.50 | 28.27 | 2.42 | 2.68 | 2.15 | 2.09 |
| | | COP | 1.25 | 1.38 | 1.51 | 1.65 | 1.75 | 1.91 | 1.97 | 2.1 | 2.59 | 2.64 | 3.05 | 3.31 |
| | 64.4°F (18°C) | TC | 12.49 | 15.75 | 18.10 | 18.08 | 18.27 | 22.84 | 22.78 | 23.32 | 20.88 | 23.12 | 21.65 | 23.05 |
| | | Input | 2.98 | 3.48 | 3.68 | 3.22 | 3.03 | 3.67 | 3.58 | 3.41 | 2.49 | 2.73 | 2.19 | 3.13 |
| | | COP | 1.23 | 1.33 | 1.44 | 1.65 | 1.77 | 1.82 | 1.87 | 2.01 | 2.45 | 2.49 | 2.9 | 3.31 |
| | 69°F (20.5°C) | TC | 12.37 | 15.67 | 16.76 | 15.49 | 17.73 | 22.47 | 22.76 | 22.60 | 20.43 | 22.67 | 21.18 | 22.59 |
| | | Input | 3.04 | 3.57 | 3.29 | 3.17 | 3.10 | 3.77 | 3.74 | 3.47 | 2.57 | 2.79 | 2.27 | 2.23 |
| | | COP | 1.19 | 1.29 | 1.49 | 1.56 | 1.68 | 1.75 | 1.78 | 1.91 | 2.33 | 2.39 | 2.74 | 2.97 |
| | 71.6°F (22°C) | TC | 12.34 | 15.51 | 15.68 | 16.86 | 18.15 | 21.65 | 20.88 | 21.79 | 20.49 | 22.36 | 20.89 | 22.32 |
| | | Input | 3.11 | 3.62 | 3.30 | 3.19 | 3.41 | 3.71 | 3.16 | 3.45 | 2.61 | 2.83 | 2.32 | 2.27 |
| | | COP | 1.16 | 1.25 | 1.39 | 1.55 | 1.56 | 1.71 | 1.94 | 1.85 | 2.3 | 2.31 | 2.64 | 2.88 |
| 24 (208-230V) | 59°F (15°C) | TC | 15.10 | 19.34 | 24.62 | 27.79 | 25.12 | 30.58 | 27.62 | 30.29 | 32.48 | 36.69 | 34.90 | 35.41 |
| | | Input | 10.72 | 12.21 | 3.90 | 4.20 | 4.07 | 4.15 | 3.94 | 3.63 | 3.57 | 3.91 | 3.31 | 3.07 |
| | | COP | 1.41 | 1.58 | 1.85 | 1.94 | 1.81 | 2.16 | 2.25 | 2.45 | 2.67 | 2.74 | 3.09 | 3.38 |
| | 64.4°F (18°C) | TC | 14.60 | 18.97 | 22.23 | 27.18 | 24.45 | 30.17 | 29.48 | 29.66 | 31.80 | 35.99 | 34.04 | 34.13 |
| | | Input | 11.22 | 12.54 | 0.39 | 4.36 | 4.23 | 4.33 | 4.16 | 3.79 | 3.70 | 4.07 | 3.44 | 3.17 |
| | | COP | 1.3 | 1.51 | 1.68 | 1.83 | 1.69 | 2.04 | 2.08 | 2.29 | 2.52 | 2.59 | 2.9 | 3.16 |
| | 69°F (20.5°C) | TC | 14.18 | 18.54 | 23.71 | 25.20 | 23.88 | 27.97 | 28.94 | 29.13 | 31.21 | 35.40 | 32.83 | 33.47 |
| | | Input | 11.63 | 13.03 | 4.15 | 4.20 | 4.37 | 4.16 | 4.25 | 3.93 | 3.82 | 4.21 | 3.50 | 3.28 |
| | | COP | 1.22 | 1.42 | 1.68 | 1.76 | 1.6 | 1.97 | 2 | 2.17 | 2.39 | 2.46 | 2.75 | 2.99 |
| | 71.6°F (22°C) | TC | 13.96 | 18.65 | 23.38 | 23.57 | 23.52 | 27.65 | 28.73 | 28.82 | 30.89 | 35.63 | 32.29 | 32.81 |
| | | Input | 11.99 | 13.16 | 4.22 | 4.18 | 4.47 | 4.26 | 4.36 | 4.01 | 3.91 | 4.34 | 3.56 | 3.33 |
| | | COP | 1.16 | 1.42 | 1.62 | 1.65 | 1.54 | 1.9 | 1.93 | 2.11 | 2.32 | 2.41 | 2.66 | 2.89 |

LEGEND

DB - Dry Bulb
 TC - Total Net Capacity (1000 Btu/hour)
 Input - Total Power (kW)
 COP - W/W

COOLING PERFORMANCE - FMA4 FAN COIL

| Model | COOLING | | | OUTDOOR CONDITIONS (DB) | | | | | | | | | | | |
|------------------|------------------|------------------|-------|-------------------------|---------|---------|---------|--------|-------|--------|--------|--------|--------|--------|--------|
| | Indoor | | | -13°F | -4°F | 0°F | 5°F | 17°F | 47°F | 77°F | 86°F | 95°F | 104°F | 113°F | 122°F |
| | DB | WB | | (-25°C) | (-20°C) | (-17°C) | (-15°C) | (-8°C) | (8°C) | (25°C) | (30°C) | (35°C) | (40°C) | (45°C) | (50°C) |
| 12 (208-230V) | 69.8°F (21°C) | 59°F (15°C) | TC | 14.63 | 14.33 | 14.03 | 13.54 | 13.63 | 14.51 | 9.95 | 8.17 | 14.48 | 14.48 | 12.45 | 9.39 |
| | | | SC | 12.98 | 12.72 | 12.45 | 12.12 | 12.22 | 12.85 | 9.94 | 7.36 | 12.15 | 12.85 | 11.92 | 9.32 |
| | | | Input | 0.46 | 0.50 | 0.55 | 0.65 | 0.65 | 0.65 | 0.49 | 0.49 | 1.22 | 1.44 | 1.42 | 1.08 |
| | 75.2°F (24°C) | 62.6°F (17°C) | TC | 15.41 | 15.11 | 14.81 | 14.32 | 14.42 | 15.29 | 10.74 | 8.95 | 15.26 | 15.26 | 13.23 | 10.18 |
| | | | SC | 13.26 | 13.01 | 12.75 | 12.32 | 12.41 | 13.16 | 9.24 | 7.70 | 13.13 | 13.13 | 11.39 | 8.76 |
| | | | Input | 0.47 | 0.52 | 0.56 | 0.67 | 0.66 | 0.67 | 0.51 | 0.51 | 1.24 | 1.45 | 1.43 | 1.09 |
| | 80.6°F (27°C) | 66.2°F (19°C) | TC | 15.97 | 15.68 | 15.38 | 14.89 | 14.98 | 15.86 | 11.30 | 9.52 | 15.82 | 15.82 | 13.80 | 10.74 |
| | | | SC | 13.59 | 13.33 | 13.08 | 12.66 | 12.74 | 13.49 | 9.61 | 8.09 | 13.46 | 13.46 | 11.74 | 9.13 |
| | | | Input | 0.49 | 0.53 | 0.57 | 0.68 | 0.68 | 0.68 | 0.52 | 0.52 | 1.25 | 1.46 | 1.44 | 1.10 |
| | 89.6°F (32°C) | 73.4°F (23°C) | TC | 17.09 | 16.79 | 16.49 | 16.00 | 16.09 | 16.97 | 12.41 | 10.63 | 16.94 | 16.93 | 14.91 | 11.85 |
| | | | SC | 13.47 | 13.23 | 13.00 | 12.61 | 12.68 | 13.37 | 9.78 | 8.38 | 13.35 | 13.35 | 11.75 | 9.34 |
| | | | Input | 0.51 | 0.55 | 0.59 | 0.70 | 0.70 | 0.70 | 0.54 | 0.54 | 1.27 | 1.49 | 1.46 | 1.13 |
| 18 (208-230V) | 69.8°F (21°C) | 59°F (15°C) | TC | 20.61 | 20.20 | 19.79 | 21.38 | 20.84 | 19.34 | 12.40 | 12.56 | 18.12 | 17.28 | 13.86 | 12.03 |
| | | | SC | 17.45 | 17.10 | 16.75 | 17.14 | 16.90 | 16.26 | 11.51 | 11.95 | 15.47 | 14.62 | 13.66 | 12.03 |
| | | | Input | 0.49 | 0.56 | 0.63 | 0.71 | 0.76 | 0.87 | 0.68 | 0.90 | 1.62 | 1.97 | 1.61 | 1.58 |
| | 75.2°F (24°C) | 62.6°F (17°C) | TC | 22.50 | 22.09 | 21.68 | 23.27 | 22.73 | 21.24 | 14.29 | 14.45 | 20.01 | 19.17 | 15.75 | 13.92 |
| | | | SC | 19.09 | 18.74 | 18.39 | 19.74 | 19.28 | 18.02 | 12.12 | 12.26 | 16.98 | 16.26 | 13.36 | 11.81 |
| | | | Input | 0.52 | 0.59 | 0.66 | 0.74 | 0.79 | 0.89 | 0.71 | 0.93 | 1.65 | 2.00 | 1.63 | 1.61 |
| | 80.6°F (27°C) | 66.2°F (19°C) | TC | 24.36 | 23.95 | 23.54 | 25.13 | 24.59 | 23.10 | 16.15 | 16.31 | 21.87 | 21.03 | 17.61 | 15.78 |
| | | | SC | 20.70 | 20.35 | 20.00 | 21.35 | 20.89 | 19.62 | 13.72 | 13.85 | 18.58 | 17.86 | 14.96 | 13.41 |
| | | | Input | 0.55 | 0.62 | 0.69 | 0.77 | 0.82 | 0.92 | 0.74 | 0.96 | 1.68 | 2.03 | 1.66 | 1.64 |
| | 89.6°F (32°C) | 73.4°F (23°C) | TC | 27.53 | 27.12 | 26.71 | 28.30 | 27.76 | 26.27 | 19.32 | 19.48 | 25.04 | 24.20 | 20.78 | 18.95 |
| | | | SC | 22.07 | 21.74 | 21.41 | 22.68 | 22.25 | 21.05 | 15.48 | 15.61 | 20.07 | 19.40 | 16.66 | 15.19 |
| | | | Input | 0.60 | 0.67 | 0.74 | 0.82 | 0.87 | 0.97 | 0.79 | 1.01 | 1.73 | 2.08 | 1.72 | 1.69 |
| 24 (208-230V) | 69.8°F (21°C) | 59°F (15°C) | TC | 26.83 | 26.03 | 25.24 | 24.01 | 24.36 | 24.82 | 16.89 | 14.95 | 23.20 | 21.61 | 18.74 | 13.66 |
| | | | SC | 21.27 | 20.64 | 20.01 | 18.24 | 18.38 | 18.67 | 15.20 | 14.38 | 17.84 | 17.14 | 15.94 | 13.66 |
| | | | Input | 1.29 | 1.35 | 1.40 | 1.63 | 1.62 | 1.60 | 0.76 | 0.95 | 2.51 | 2.77 | 2.64 | 2.08 |
| | 75.2°F (24°C) | 62.6°F (17°C) | TC | 29.39 | 28.59 | 27.80 | 26.57 | 26.91 | 27.38 | 19.44 | 17.51 | 25.76 | 24.17 | 21.30 | 16.22 |
| | | | SC | 23.43 | 22.80 | 22.16 | 21.19 | 21.46 | 21.83 | 15.50 | 13.96 | 20.54 | 19.27 | 16.99 | 12.93 |
| | | | Input | 1.35 | 1.40 | 1.45 | 1.69 | 1.68 | 1.66 | 0.82 | 1.01 | 2.57 | 2.82 | 2.70 | 2.14 |
| | 80.6°F (27°C) | 66.2°F (19°C) | TC | 31.97 | 31.18 | 30.38 | 29.15 | 29.50 | 29.96 | 22.03 | 20.10 | 28.35 | 26.75 | 23.89 | 18.81 |
| | | | SC | 25.00 | 24.37 | 23.75 | 22.79 | 23.06 | 23.43 | 17.22 | 15.71 | 22.16 | 20.92 | 18.67 | 14.70 |
| | | | Input | 1.41 | 1.46 | 1.51 | 1.75 | 1.74 | 1.71 | 0.88 | 1.06 | 2.63 | 2.88 | 2.75 | 2.19 |
| | 89.6°F (32°C) | 73.4°F (23°C) | TC | 36.76 | 35.96 | 35.17 | 33.94 | 34.28 | 34.75 | 26.81 | 24.88 | 33.13 | 31.54 | 28.67 | 23.59 |
| | | | SC | 25.64 | 25.09 | 24.53 | 23.68 | 23.92 | 24.24 | 18.71 | 17.36 | 23.11 | 22.00 | 20.00 | 16.46 |
| | | | Input | 1.51 | 1.56 | 1.61 | 1.85 | 1.84 | 1.82 | 0.98 | 1.16 | 2.73 | 2.98 | 2.86 | 2.30 |
| 30 (208-230V) | 69.8°F (21°C) | 59°F (15°C) | TC | 34.36 | 33.36 | 32.35 | 30.62 | 30.41 | 31.78 | 20.64 | 24.03 | 28.83 | 29.75 | 23.77 | 16.46 |
| | | | SC | 26.96 | 26.18 | 25.39 | 23.86 | 23.58 | 24.25 | 19.53 | 20.81 | 22.92 | 23.34 | 20.92 | 16.46 |
| | | | Input | 1.02 | 1.13 | 1.23 | 1.23 | 1.32 | 1.76 | 1.09 | 1.66 | 2.73 | 3.37 | 3.34 | 2.53 |
| | 75.2°F (24°C) | 62.6°F (17°C) | TC | 35.16 | 34.15 | 33.15 | 31.41 | 31.21 | 32.58 | 21.44 | 24.82 | 29.62 | 30.54 | 24.57 | 17.26 |
| | | | SC | 28.63 | 27.81 | 26.99 | 25.58 | 25.41 | 26.53 | 17.46 | 20.21 | 24.12 | 24.87 | 20.00 | 14.05 |
| | | | Input | 1.04 | 1.15 | 1.25 | 1.25 | 1.34 | 1.78 | 1.11 | 1.68 | 2.75 | 3.39 | 3.36 | 2.55 |
| | 80.6°F (27°C) | 66.2°F (19°C) | TC | 36.18 | 35.17 | 34.17 | 32.43 | 32.23 | 33.60 | 22.46 | 25.84 | 30.65 | 31.56 | 25.59 | 18.28 |
| | | | SC | 29.72 | 28.89 | 28.07 | 26.64 | 26.47 | 27.60 | 18.45 | 21.23 | 25.17 | 25.92 | 21.02 | 15.01 |
| | | | Input | 1.07 | 1.18 | 1.28 | 1.28 | 1.37 | 1.81 | 1.14 | 1.71 | 2.78 | 3.42 | 3.39 | 2.58 |
| | 89.6°F (32°C) | 73.4°F (23°C) | TC | 38.53 | 37.53 | 36.52 | 34.79 | 34.58 | 35.95 | 24.81 | 28.20 | 33.00 | 33.92 | 27.94 | 20.63 |
| | | | SC | 31.81 | 30.98 | 30.15 | 28.72 | 28.55 | 29.68 | 20.48 | 23.28 | 27.24 | 28.00 | 23.07 | 17.03 |
| | | | Input | 1.14 | 1.25 | 1.35 | 1.35 | 1.44 | 1.88 | 1.21 | 1.78 | 2.85 | 3.49 | 3.46 | 2.65 |
| 36 (208-230V) | 69.8°F (21°C) | 59°F (15°C) | TC | 29.72 | 29.15 | 28.58 | 27.29 | 26.41 | 27.34 | 21.49 | 24.54 | 32.44 | 29.31 | 23.19 | 19.34 |
| | | | SC | 24.46 | 23.99 | 23.52 | 23.09 | 22.68 | 23.07 | 20.42 | 22.01 | 25.68 | 24.12 | 21.32 | 19.20 |
| | | | Input | 0.85 | 0.99 | 1.14 | 1.15 | 1.22 | 1.55 | 1.45 | 1.83 | 3.53 | 4.16 | 3.38 | 3.05 |
| | 75.2°F (24°C) | 62.6°F (17°C) | TC | 32.15 | 31.57 | 31.00 | 29.71 | 28.83 | 29.76 | 23.91 | 26.97 | 34.86 | 31.73 | 25.62 | 21.77 |
| | | | SC | 26.02 | 25.56 | 25.10 | 24.05 | 23.34 | 24.09 | 19.36 | 21.83 | 28.22 | 25.69 | 20.74 | 17.62 |
| | | | Input | 0.96 | 1.11 | 1.26 | 1.27 | 1.34 | 1.66 | 1.56 | 1.95 | 3.65 | 4.28 | 3.50 | 3.16 |
| | 80.6°F (27°C) | 66.2°F (19°C) | TC | 35.15 | 34.58 | 34.01 | 32.71 | 31.84 | 32.77 | 26.92 | 29.97 | 37.87 | 34.74 | 28.62 | 24.77 |
| | | | SC | 27.77 | 27.32 | 26.87 | 25.84 | 25.15 | 25.88 | 21.26 | 23.68 | 29.92 | 27.44 | 22.61 | 19.57 |
| | | | Input | 1.08 | 1.23 | 1.38 | 1.39 | 1.46 | 1.78 | 1.68 | 2.07 | 3.77 | 4.40 | 3.62 | 3.29 |
| | 89.6°F (32°C) | 73.4°F (23°C) | TC | 40.86 | 40.29 | 39.72 | 38.42 | 37.55 | 38.48 | 32.63 | 35.68 | 43.58 | 40.45 | 34.33 | 30.48 |
| | | | SC | 28.66 | 28.26 | 27.86 | 26.95 | 26.34 | 26.99 | 22.89 | 25.03 | 30.57 | 28.37 | 24.08 | 21.38 |
| | | | Input | 1.32 | 1.46 | 1.61 | 1.62 | 1.69 | 2.02 | 1.92 | 2.30 | 4.00 | 4.63 | 3.85 | 3.52 |

LEGEND

- DB --- Dry Bulb
- WB --- Wet Bulb
- TC --- Total Net Capacity (1000 Btu/hour)
- SC --- Sensible Capacity (1000 Btu/hour)
- Input --- Total Power (kW)

HEATING PERFORMANCE - FMA4 FAN COIL

| Model | HEATING | | OUTDOOR CONDITIONS (DB) | | | | | | | | | | | |
|------------------|----------------------|-------|-------------------------|---------------|--------------|-------------|-------------|-------------|---------------|---------------|------------|--------------|--------------|---------------|
| | Indoor Conditions DB | | -22°F (-30°C) | -13°F (-25°C) | -4°F (-20°C) | 0°F (-17°C) | 5°F (-15°C) | 17°F (-8°C) | 19.4°F (-7°C) | 24.8°F (-4°C) | 32°F (0°C) | 39.2°F (4°C) | 44.6°F (7°C) | 53.6°F (12°C) |
| 12 (208-230V) | 59°F (15°C) | TC | 6.48 | 7.24 | 9.73 | 10.00 | 9.94 | 14.11 | 13.97 | 13.82 | 14.36 | 13.75 | 13.78 | 14.85 |
| | | Input | 1.34 | 1.34 | 1.37 | 1.37 | 1.35 | 1.52 | 1.51 | 1.50 | 1.36 | 1.20 | 1.15 | 4.43 |
| | | COP | 1.43 | 1.60 | 2.08 | 2.13 | 2.17 | 2.70 | 2.70 | 2.69 | 3.06 | 3.42 | 3.44 | 0.98 |
| | 64.4°F (18°C) | TC | 6.46 | 7.22 | 9.71 | 9.97 | 9.92 | 14.09 | 13.95 | 13.80 | 14.34 | 13.73 | 13.76 | 14.82 |
| | | Input | 1.33 | 1.32 | 1.35 | 1.35 | 1.33 | 1.51 | 1.50 | 1.49 | 1.35 | 1.19 | 1.14 | 4.42 |
| | | COP | 1.43 | 1.60 | 2.10 | 2.16 | 2.18 | 2.74 | 2.73 | 2.71 | 3.12 | 3.38 | 3.55 | 0.98 |
| | 69°F (20.5°C) | TC | 6.44 | 7.20 | 9.69 | 9.96 | 9.90 | 14.07 | 13.93 | 13.78 | 14.32 | 13.71 | 13.74 | 14.81 |
| | | Input | 1.32 | 1.31 | 1.34 | 1.34 | 1.32 | 1.50 | 1.49 | 1.48 | 1.34 | 1.18 | 1.12 | 4.41 |
| | | COP | 1.44 | 1.61 | 2.12 | 2.17 | 2.20 | 2.75 | 2.75 | 2.73 | 3.14 | 3.41 | 3.58 | 0.98 |
| | 71.6°F (22°C) | TC | 6.43 | 7.19 | 9.68 | 9.95 | 9.89 | 14.06 | 13.92 | 13.77 | 14.31 | 13.70 | 13.73 | 14.80 |
| | | Input | 1.31 | 1.31 | 1.33 | 1.34 | 1.32 | 1.49 | 1.48 | 1.47 | 1.33 | 1.17 | 1.12 | 4.40 |
| | | COP | 1.44 | 1.62 | 2.13 | 2.18 | 2.20 | 2.77 | 2.76 | 2.74 | 3.15 | 3.43 | 3.60 | 0.99 |
| 18 (208-230V) | 59°F (15°C) | TC | 11.91 | 13.15 | 15.56 | 16.03 | 14.88 | 21.03 | 19.45 | 19.49 | 20.49 | 18.16 | 16.62 | 19.15 |
| | | Input | 2.09 | 2.14 | 2.25 | 2.28 | 2.15 | 2.26 | 2.20 | 2.21 | 2.10 | 1.75 | 1.51 | 1.47 |
| | | COP | 1.69 | 1.83 | 2.03 | 2.08 | 2.01 | 2.73 | 2.58 | 2.58 | 2.87 | 3.09 | 3.30 | 3.83 |
| | 64.4°F (18°C) | TC | 11.57 | 12.80 | 15.22 | 15.68 | 14.53 | 20.69 | 19.10 | 19.15 | 20.14 | 17.81 | 16.27 | 18.80 |
| | | Input | 2.18 | 2.23 | 2.35 | 2.37 | 2.24 | 2.35 | 2.29 | 2.30 | 2.19 | 1.84 | 1.60 | 1.56 |
| | | COP | 1.56 | 1.68 | 1.90 | 1.94 | 1.90 | 2.58 | 2.44 | 2.44 | 2.69 | 2.83 | 2.99 | 3.54 |
| | 69°F (20.5°C) | TC | 11.27 | 12.51 | 14.92 | 15.39 | 14.24 | 20.39 | 18.81 | 18.85 | 19.85 | 17.52 | 15.98 | 18.51 |
| | | Input | 2.09 | 2.14 | 2.25 | 2.28 | 2.15 | 2.26 | 2.20 | 2.21 | 2.10 | 1.75 | 1.51 | 1.47 |
| | | COP | 1.69 | 1.83 | 2.03 | 2.08 | 2.01 | 2.73 | 2.58 | 2.58 | 2.87 | 3.09 | 3.30 | 3.83 |
| | 71.6°F (22°C) | TC | 14.07 | 15.31 | 17.72 | 18.19 | 17.04 | 23.19 | 21.61 | 21.65 | 22.64 | 20.32 | 18.78 | 21.31 |
| | | Input | 2.30 | 2.36 | 2.47 | 2.49 | 2.36 | 2.47 | 2.41 | 2.43 | 2.32 | 1.97 | 1.72 | 1.68 |
| | | COP | 1.79 | 1.90 | 2.10 | 2.14 | 2.11 | 2.75 | 2.62 | 2.62 | 2.87 | 3.03 | 3.20 | 3.72 |
| 24 (208-230V) | 59°F (15°C) | TC | 12.67 | 19.06 | 23.80 | 27.41 | 28.49 | 28.72 | 28.74 | 32.23 | 31.69 | 33.64 | 32.53 | 36.54 |
| | | Input | 2.86 | 3.33 | 3.69 | 3.84 | 3.73 | 3.75 | 3.61 | 3.82 | 3.46 | 3.30 | 2.80 | 2.95 |
| | | COP | 1.34 | 1.69 | 1.92 | 2.16 | 2.32 | 2.24 | 2.33 | 2.47 | 2.68 | 2.98 | 3.41 | 3.63 |
| | 64.4°F (18°C) | TC | 12.78 | 19.17 | 23.91 | 27.52 | 28.60 | 28.83 | 28.85 | 32.34 | 31.80 | 33.75 | 32.64 | 36.65 |
| | | Input | 2.98 | 3.45 | 3.81 | 3.96 | 3.85 | 3.88 | 3.73 | 3.94 | 3.58 | 3.43 | 2.92 | 3.07 |
| | | COP | 1.26 | 1.63 | 1.84 | 2.04 | 2.18 | 2.18 | 2.27 | 2.41 | 2.60 | 2.89 | 3.28 | 3.50 |
| | 69°F (20.5°C) | TC | 12.88 | 19.26 | 24.00 | 27.62 | 28.70 | 28.93 | 28.94 | 32.44 | 31.89 | 33.84 | 32.74 | 36.74 |
| | | Input | 2.86 | 3.33 | 3.69 | 3.84 | 3.73 | 3.75 | 3.61 | 3.82 | 3.46 | 3.30 | 2.80 | 2.95 |
| | | COP | 1.34 | 1.69 | 1.92 | 2.16 | 2.32 | 2.24 | 2.33 | 2.47 | 2.68 | 2.98 | 3.41 | 3.63 |
| | 71.6°F (22°C) | TC | 10.24 | 16.62 | 21.36 | 24.98 | 26.06 | 26.29 | 26.30 | 29.80 | 29.25 | 31.20 | 30.10 | 34.10 |
| | | Input | 3.14 | 3.62 | 3.97 | 4.12 | 4.01 | 4.04 | 3.89 | 4.10 | 3.74 | 3.59 | 3.08 | 3.23 |
| | | COP | 0.95 | 1.35 | 1.58 | 1.78 | 1.90 | 1.91 | 1.98 | 2.13 | 2.29 | 2.55 | 2.86 | 3.09 |
| 30 (208-230V) | 59°F (15°C) | TC | 10.37 | 13.83 | 18.91 | 21.14 | 21.34 | 24.11 | 22.31 | 22.72 | 23.74 | 26.80 | 28.31 | 32.75 |
| | | Input | 2.27 | 2.51 | 2.67 | 2.70 | 2.62 | 2.67 | 2.62 | 2.58 | 2.53 | 2.57 | 2.53 | 2.48 |
| | | COP | 1.23 | 1.56 | 2.03 | 2.26 | 2.36 | 2.63 | 2.47 | 2.57 | 2.90 | 3.08 | 3.41 | 3.85 |
| | 64.4°F (18°C) | TC | 10.86 | 14.32 | 19.40 | 21.63 | 21.83 | 24.60 | 22.80 | 23.21 | 24.22 | 27.29 | 28.80 | 33.24 |
| | | Input | 2.25 | 2.49 | 2.66 | 2.69 | 2.60 | 2.66 | 2.60 | 2.57 | 2.52 | 2.55 | 2.51 | 2.46 |
| | | COP | 1.41 | 1.68 | 2.14 | 2.36 | 2.46 | 2.71 | 2.57 | 2.65 | 2.82 | 3.13 | 3.36 | 3.95 |
| | 69°F (20.5°C) | TC | 11.27 | 14.73 | 19.81 | 22.04 | 22.24 | 25.01 | 23.21 | 23.62 | 24.64 | 27.70 | 29.22 | 33.66 |
| | | Input | 2.24 | 2.48 | 2.64 | 2.67 | 2.59 | 2.64 | 2.58 | 2.55 | 2.50 | 2.54 | 2.50 | 2.45 |
| | | COP | 1.48 | 1.74 | 2.20 | 2.42 | 2.52 | 2.78 | 2.63 | 2.71 | 2.89 | 3.20 | 3.43 | 4.03 |
| | 71.6°F (22°C) | TC | 11.51 | 14.97 | 20.05 | 22.28 | 22.48 | 25.25 | 23.45 | 23.86 | 24.87 | 27.94 | 29.45 | 33.89 |
| | | Input | 2.23 | 2.47 | 2.63 | 2.66 | 2.58 | 2.63 | 2.58 | 2.54 | 2.49 | 2.53 | 2.49 | 2.44 |
| | | COP | 1.51 | 1.78 | 2.23 | 2.45 | 2.56 | 2.81 | 2.67 | 2.75 | 2.92 | 3.24 | 3.47 | 4.07 |
| 36 (208-230V) | 59°F (15°C) | TC | 10.92 | 15.37 | 17.82 | 19.75 | 19.94 | 20.69 | 21.00 | 22.89 | 26.34 | 26.52 | 28.30 | 36.62 |
| | | Input | 2.51 | 2.80 | 2.91 | 2.99 | 2.95 | 2.78 | 2.84 | 2.95 | 2.99 | 2.95 | 2.90 | 2.76 |
| | | COP | 1.28 | 1.61 | 1.79 | 1.93 | 1.98 | 2.18 | 2.16 | 2.27 | 2.58 | 2.64 | 1.26 | 3.90 |
| | 64.4°F (18°C) | TC | 10.94 | 15.39 | 17.84 | 19.76 | 19.96 | 20.71 | 21.02 | 22.90 | 26.36 | 26.54 | 28.32 | 36.64 |
| | | Input | 2.51 | 2.80 | 2.91 | 2.99 | 2.95 | 2.78 | 2.84 | 2.95 | 2.99 | 2.95 | 2.90 | 2.76 |
| | | COP | 1.28 | 1.61 | 1.80 | 1.94 | 1.98 | 2.18 | 2.17 | 2.27 | 2.59 | 2.64 | 2.86 | 3.90 |
| | 69°F (20.5°C) | TC | 10.95 | 15.40 | 17.85 | 19.78 | 19.97 | 20.72 | 21.03 | 22.92 | 26.37 | 26.55 | 28.33 | 36.65 |
| | | Input | 2.51 | 2.80 | 2.91 | 2.99 | 2.95 | 2.78 | 2.84 | 2.95 | 2.99 | 2.95 | 2.90 | 2.76 |
| | | COP | 1.28 | 1.61 | 1.80 | 1.94 | 1.98 | 2.18 | 2.17 | 2.27 | 2.59 | 2.64 | 2.86 | 3.90 |
| | 71.6°F (22°C) | TC | 10.96 | 15.41 | 17.86 | 19.78 | 19.98 | 20.73 | 21.04 | 22.93 | 26.38 | 26.56 | 28.34 | 36.66 |
| | | Input | 2.51 | 2.80 | 2.91 | 2.99 | 2.95 | 2.78 | 2.84 | 2.95 | 2.99 | 2.95 | 2.90 | 2.76 |
| | | COP | 1.28 | 1.61 | 1.80 | 1.94 | 1.99 | 2.18 | 2.17 | 2.27 | 2.59 | 2.64 | 2.86 | 3.90 |

LEGEND

DB --- Dry Bulb
 WB --- Wet Bulb
 TC --- Total Net Capacity (1000 Btu/hour)
 Input --- Total Power (kW)
 COP --- W/W

COOLING PERFORMANCE - FMC-FMU FAN COIL

| Model | COOLING | | | OUTDOOR CONDITIONS (DB) | | | | | | | | | | | |
|------------------|-------------------|------------------|-------|-------------------------|---------|---------|---------|--------|-------|--------|--------|--------|--------|--------|--------|
| | Indoor Conditions | | | -13°F | -4°F | 0°F | 5°F | 17°F | 47°F | 77°F | 86°F | 95°F | 104°F | 113°F | 122°F |
| | DB | WB | | (-25°C) | (-20°C) | (-17°C) | (-15°C) | (-8°C) | (8°C) | (25°C) | (30°C) | (35°C) | (40°C) | (45°C) | (50°C) |
| 12 (208-230V) | 69.8°F (21°C) | 59°F (15°C) | TC | 15.27 | 14.86 | 14.46 | 13.65 | 13.76 | 14.93 | 9.68 | 7.79 | 13.88 | 14.03 | 12.23 | 8.93 |
| | | | SC | 13.54 | 13.18 | 12.82 | 12.43 | 12.44 | 12.92 | 17.94 | 15.02 | 12.08 | 12.45 | 11.53 | 8.92 |
| | | | Input | 0.55 | 0.59 | 0.62 | 0.71 | 0.71 | 0.67 | 0.54 | 0.52 | 1.24 | 1.46 | 1.43 | 1.09 |
| | 75.2°F (24°C) | 62.6°F (17°C) | TC | 16.06 | 15.65 | 15.25 | 14.44 | 14.55 | 15.72 | 10.47 | 8.57 | 14.66 | 14.82 | 13.02 | 9.72 |
| | | | SC | 13.81 | 13.46 | 13.11 | 12.41 | 12.51 | 13.52 | 9.00 | 7.37 | 12.61 | 12.74 | 11.19 | 8.36 |
| | | | Input | 0.55 | 0.59 | 0.62 | 0.71 | 0.71 | 0.67 | 0.54 | 0.52 | 1.24 | 1.46 | 1.43 | 1.09 |
| | 80.6°F (27°C) | 66.2°F (19°C) | TC | 16.75 | 16.34 | 15.93 | 15.13 | 15.24 | 16.41 | 11.16 | 9.26 | 15.35 | 15.51 | 13.71 | 10.41 |
| | | | SC | 14.27 | 13.92 | 13.57 | 12.89 | 12.98 | 13.98 | 9.50 | 7.89 | 13.08 | 13.21 | 11.68 | 8.87 |
| | | | Input | 0.56 | 0.59 | 0.63 | 0.72 | 0.71 | 0.68 | 0.55 | 0.52 | 1.25 | 1.46 | 1.43 | 1.10 |
| | 89.6°F (32°C) | 73.4°F (23°C) | TC | 18.06 | 17.65 | 17.25 | 16.44 | 16.55 | 17.72 | 12.47 | 10.57 | 16.66 | 16.82 | 15.02 | 11.72 |
| | | | SC | 15.45 | 15.10 | 14.75 | 14.06 | 14.16 | 15.16 | 10.66 | 9.04 | 14.25 | 14.39 | 12.85 | 10.03 |
| | | | Input | 0.57 | 0.60 | 0.64 | 0.73 | 0.72 | 0.69 | 0.56 | 0.53 | 1.26 | 1.47 | 1.44 | 1.11 |
| 18 (208-230V) | 69.8°F (21°C) | 59°F (15°C) | TC | 22.13 | 21.51 | 20.88 | 20.97 | 20.82 | 19.33 | 13.71 | 13.51 | 18.46 | 17.80 | 14.38 | 11.92 |
| | | | SC | 17.74 | 17.24 | 16.74 | 16.22 | 15.89 | 15.27 | 12.75 | 12.24 | 14.71 | 14.27 | 12.74 | 11.70 |
| | | | Input | 0.40 | 0.47 | 0.54 | 0.61 | 0.68 | 0.79 | 0.61 | 0.81 | 1.54 | 1.89 | 1.53 | 1.50 |
| | 75.2°F (24°C) | 62.6°F (17°C) | TC | 24.42 | 23.80 | 23.17 | 23.26 | 23.11 | 21.62 | 16.00 | 15.80 | 20.75 | 20.09 | 16.67 | 14.21 |
| | | | SC | 19.15 | 18.66 | 18.17 | 18.24 | 18.12 | 16.95 | 12.54 | 12.39 | 16.27 | 15.76 | 13.07 | 11.14 |
| | | | Input | 0.42 | 0.49 | 0.56 | 0.63 | 0.70 | 0.81 | 0.63 | 0.83 | 1.56 | 1.91 | 1.55 | 1.52 |
| | 80.6°F (27°C) | 66.2°F (19°C) | TC | 26.14 | 25.51 | 24.89 | 24.98 | 24.83 | 23.33 | 17.71 | 17.52 | 22.47 | 21.81 | 18.39 | 15.92 |
| | | | SC | 20.16 | 19.68 | 19.20 | 19.26 | 19.15 | 18.00 | 13.66 | 13.51 | 17.33 | 16.82 | 14.18 | 12.28 |
| | | | Input | 0.44 | 0.51 | 0.58 | 0.65 | 0.72 | 0.83 | 0.65 | 0.85 | 1.58 | 1.94 | 1.57 | 1.55 |
| | 89.6°F (32°C) | 73.4°F (23°C) | TC | 29.45 | 28.83 | 28.20 | 28.29 | 28.14 | 26.64 | 21.03 | 20.83 | 25.78 | 25.12 | 21.70 | 19.24 |
| | | | SC | 22.82 | 22.33 | 21.85 | 21.92 | 21.80 | 20.64 | 16.29 | 16.14 | 19.97 | 19.46 | 16.81 | 14.90 |
| | | | Input | 0.48 | 0.55 | 0.63 | 0.69 | 0.76 | 0.87 | 0.69 | 0.89 | 1.63 | 1.98 | 1.62 | 1.59 |
| 24 (208-230V) | 69.8°F (21°C) | 59°F (15°C) | TC | 27.40 | 26.58 | 25.75 | 24.57 | 25.08 | 24.82 | 17.16 | 15.69 | 23.38 | 21.81 | 18.86 | 13.96 |
| | | | SC | 22.66 | 21.98 | 21.30 | 19.28 | 19.51 | 19.26 | 15.81 | 15.33 | 18.74 | 18.04 | 16.82 | 13.96 |
| | | | Input | 1.16 | 1.22 | 1.28 | 1.51 | 1.49 | 1.52 | 0.70 | 0.91 | 2.48 | 2.73 | 2.59 | 2.05 |
| | 75.2°F (24°C) | 62.6°F (17°C) | TC | 29.99 | 29.17 | 28.34 | 27.16 | 27.67 | 27.41 | 19.75 | 18.28 | 25.97 | 24.40 | 21.45 | 16.55 |
| | | | SC | 24.50 | 23.83 | 23.15 | 22.19 | 22.60 | 22.39 | 16.13 | 14.93 | 21.21 | 19.93 | 17.52 | 13.52 |
| | | | Input | 1.22 | 1.28 | 1.34 | 1.57 | 1.54 | 1.58 | 0.76 | 0.97 | 2.53 | 2.79 | 2.65 | 2.10 |
| | 80.6°F (27°C) | 66.2°F (19°C) | TC | 32.46 | 31.63 | 30.81 | 29.63 | 30.14 | 29.88 | 22.22 | 20.75 | 28.44 | 26.87 | 23.92 | 19.02 |
| | | | SC | 25.95 | 25.30 | 24.64 | 23.69 | 24.10 | 23.89 | 17.77 | 16.59 | 22.74 | 21.49 | 19.13 | 15.21 |
| | | | Input | 1.28 | 1.33 | 1.39 | 1.62 | 1.60 | 1.63 | 0.81 | 1.02 | 2.59 | 2.84 | 2.70 | 2.16 |
| | 89.6°F (32°C) | 73.4°F (23°C) | TC | 37.00 | 36.17 | 35.35 | 34.17 | 34.68 | 34.42 | 26.76 | 25.29 | 32.98 | 31.41 | 28.46 | 23.56 |
| | | | SC | 29.73 | 29.07 | 28.41 | 27.46 | 27.87 | 27.66 | 21.51 | 20.32 | 26.50 | 25.24 | 22.87 | 18.93 |
| | | | Input | 1.38 | 1.43 | 1.49 | 1.72 | 1.70 | 1.73 | 0.91 | 1.12 | 2.69 | 2.94 | 2.80 | 2.26 |
| 30 (208-230V) | 69.8°F (21°C) | 59°F (15°C) | TC | 34.09 | 33.07 | 32.06 | 28.48 | 31.09 | 31.45 | 21.26 | 24.10 | 29.02 | 29.32 | 22.96 | 16.69 |
| | | | SC | 26.94 | 26.13 | 25.33 | 22.66 | 24.06 | 24.26 | 19.57 | 20.75 | 22.97 | 23.17 | 20.27 | 16.69 |
| | | | Input | 0.92 | 1.02 | 1.12 | 1.00 | 1.38 | 1.56 | 0.96 | 1.57 | 2.63 | 3.25 | 3.26 | 2.46 |
| | 75.2°F (24°C) | 62.6°F (17°C) | TC | 34.80 | 33.78 | 32.77 | 29.19 | 31.80 | 32.16 | 21.97 | 24.80 | 29.73 | 30.02 | 23.67 | 17.40 |
| | | | SC | 28.54 | 27.70 | 26.87 | 23.93 | 26.08 | 26.38 | 18.02 | 20.34 | 24.38 | 24.62 | 19.41 | 14.27 |
| | | | Input | 0.95 | 1.06 | 1.16 | 1.04 | 1.42 | 1.59 | 1.00 | 1.60 | 2.67 | 3.29 | 3.29 | 2.49 |
| | 80.6°F (27°C) | 66.2°F (19°C) | TC | 35.95 | 34.94 | 33.92 | 30.34 | 32.95 | 33.32 | 23.12 | 25.96 | 30.88 | 31.18 | 24.82 | 18.55 |
| | | | SC | 29.70 | 28.86 | 28.03 | 25.07 | 27.23 | 27.53 | 19.11 | 21.45 | 25.51 | 25.76 | 20.51 | 15.33 |
| | | | Input | 0.99 | 1.10 | 1.20 | 1.08 | 1.46 | 1.63 | 1.04 | 1.64 | 2.71 | 3.33 | 3.33 | 2.53 |
| | 89.6°F (32°C) | 73.4°F (23°C) | TC | 38.70 | 37.68 | 36.67 | 33.09 | 35.70 | 36.06 | 25.87 | 28.71 | 33.63 | 33.93 | 27.57 | 21.30 |
| | | | SC | 30.17 | 29.38 | 28.59 | 25.80 | 27.84 | 28.12 | 20.17 | 22.38 | 26.22 | 26.45 | 21.50 | 16.60 |
| | | | Input | 1.08 | 1.18 | 1.28 | 1.16 | 1.54 | 1.72 | 1.12 | 1.73 | 2.79 | 3.41 | 3.42 | 2.62 |
| 36 (208-230V) | 69.8°F (21°C) | 59°F (15°C) | TC | 29.21 | 28.67 | 28.12 | 26.77 | 25.64 | 26.56 | 22.17 | 23.93 | 31.84 | 29.83 | 24.03 | 19.97 |
| | | | SC | 23.56 | 23.12 | 22.68 | 22.59 | 22.17 | 22.59 | 20.50 | 21.30 | 24.97 | 24.06 | 21.51 | 19.63 |
| | | | Input | 0.86 | 1.00 | 1.14 | 1.13 | 1.24 | 1.54 | 1.28 | 1.68 | 3.40 | 4.06 | 3.31 | 2.97 |
| | 75.2°F (24°C) | 62.6°F (17°C) | TC | 33.12 | 32.57 | 32.03 | 30.68 | 29.54 | 30.46 | 26.08 | 27.84 | 35.75 | 33.74 | 27.94 | 23.88 |
| | | | SC | 26.42 | 25.99 | 25.55 | 24.47 | 23.57 | 24.30 | 20.81 | 22.21 | 28.52 | 26.91 | 22.29 | 19.05 |
| | | | Input | 0.98 | 1.12 | 1.25 | 1.24 | 1.35 | 1.65 | 1.39 | 1.79 | 3.52 | 4.18 | 3.43 | 3.08 |
| | 80.6°F (27°C) | 66.2°F (19°C) | TC | 36.79 | 36.25 | 35.70 | 34.35 | 33.22 | 34.14 | 29.75 | 31.52 | 39.42 | 37.41 | 31.61 | 27.55 |
| | | | SC | 28.76 | 28.33 | 27.90 | 26.85 | 25.96 | 26.68 | 23.26 | 24.63 | 30.82 | 29.24 | 24.71 | 21.53 |
| | | | Input | 1.10 | 1.24 | 1.38 | 1.37 | 1.48 | 1.78 | 1.52 | 1.91 | 3.64 | 4.30 | 3.55 | 3.21 |
| | 89.6°F (32°C) | 73.4°F (23°C) | TC | 43.55 | 43.00 | 42.45 | 41.10 | 39.97 | 40.89 | 36.51 | 38.27 | 46.18 | 44.16 | 38.37 | 34.30 |
| | | | SC | 34.20 | 33.77 | 33.34 | 32.28 | 31.39 | 32.11 | 28.67 | 30.06 | 36.27 | 34.68 | 30.13 | 26.94 |
| | | | Input | 1.35 | 1.49 | 1.62 | 1.62 | 1.72 | 2.03 | 1.76 | 2.16 | 3.89 | 4.55 | 3.80 | 3.45 |

LEGEND

- DB --- Dry Bulb
- WB --- Wet Bulb
- TC --- Total Net Capacity (1000 Btu/hour)
- SC --- Sensible Capacity (1000 Btu/hour)
- Input --- Total Power (kW)

HEATING PERFORMANCE - FMC-FMU FAN COIL

| Model | HEATING | | OUTDOOR CONDITIONS (DB) | | | | | | | | | | | |
|------------------|----------------------|-------|-------------------------|---------------|--------------|-------------|-------------|-------------|---------------|---------------|------------|--------------|--------------|---------------|
| | Indoor Conditions DB | | -22°F (-30°C) | -13°F (-25°C) | -4°F (-20°C) | 0°F (-17°C) | 5°F (-15°C) | 17°F (-8°C) | 19.4°F (-7°C) | 24.8°F (-4°C) | 32°F (0°C) | 39.2°F (4°C) | 44.6°F (7°C) | 53.6°F (12°C) |
| 12 (208-230V) | 59°F (15°C) | TC | 6.48 | 7.73 | 8.29 | 9.47 | 9.36 | 14.09 | 14.34 | 14.81 | 15.03 | 14.21 | 12.85 | 15.51 |
| | | Input | 1.38 | 1.38 | 1.40 | 1.43 | 1.40 | 1.54 | 1.55 | 1.56 | 1.42 | 1.22 | 1.01 | 1.00 |
| | | COP | 1.38 | 1.67 | 1.75 | 1.94 | 1.96 | 2.68 | 2.71 | 2.78 | 3.10 | 3.54 | 3.80 | 4.54 |
| | 64.4°F (18°C) | TC | 6.42 | 7.66 | 8.23 | 9.41 | 9.30 | 14.03 | 14.28 | 14.75 | 14.96 | 14.14 | 12.79 | 15.44 |
| | | Input | 1.46 | 1.46 | 1.49 | 1.51 | 1.48 | 1.62 | 1.63 | 1.64 | 1.50 | 1.30 | 1.09 | 1.08 |
| | | COP | 1.29 | 1.54 | 1.62 | 1.82 | 1.84 | 2.54 | 2.57 | 2.64 | 2.93 | 3.20 | 3.44 | 4.19 |
| | 69°F (20.5°C) | TC | 6.36 | 7.61 | 8.17 | 9.35 | 9.24 | 13.97 | 14.22 | 14.69 | 14.91 | 14.09 | 12.73 | 15.39 |
| | | Input | 1.38 | 1.38 | 1.40 | 1.43 | 1.40 | 1.54 | 1.55 | 1.56 | 1.42 | 1.22 | 1.01 | 1.00 |
| | | COP | 1.38 | 1.67 | 1.75 | 1.94 | 1.96 | 2.68 | 2.71 | 2.78 | 3.10 | 3.54 | 3.80 | 4.54 |
| | 71.6°F (22°C) | TC | 6.32 | 7.56 | 8.13 | 9.30 | 9.19 | 13.93 | 14.17 | 14.64 | 14.86 | 14.04 | 12.69 | 15.34 |
| | | Input | 1.57 | 1.57 | 1.59 | 1.62 | 1.59 | 1.73 | 1.74 | 1.74 | 1.61 | 1.41 | 1.20 | 1.19 |
| | | COP | 1.18 | 1.42 | 1.49 | 1.68 | 1.70 | 2.36 | 2.39 | 2.46 | 2.71 | 2.93 | 3.10 | 3.78 |
| 18 (208-230V) | 59°F (15°C) | TC | 11.64 | 15.66 | 18.47 | 19.25 | 19.58 | 23.76 | 22.70 | 24.02 | 21.42 | 21.77 | 19.48 | 24.44 |
| | | Input | 2.13 | 2.36 | 2.56 | 2.56 | 2.60 | 2.55 | 2.50 | 2.61 | 2.01 | 2.01 | 1.65 | 1.61 |
| | | COP | 1.61 | 1.96 | 2.14 | 2.23 | 2.18 | 2.72 | 2.66 | 2.70 | 3.12 | 3.30 | 3.58 | 4.44 |
| | 64.4°F (18°C) | TC | 11.33 | 15.35 | 18.15 | 18.94 | 19.27 | 23.45 | 22.39 | 23.71 | 21.11 | 21.46 | 19.16 | 24.13 |
| | | Input | 2.13 | 2.36 | 2.56 | 2.56 | 2.60 | 2.55 | 2.49 | 2.60 | 2.00 | 2.01 | 1.65 | 1.61 |
| | | COP | 1.56 | 1.91 | 2.08 | 2.17 | 2.17 | 2.70 | 2.63 | 2.67 | 3.09 | 3.13 | 3.40 | 4.40 |
| | 69°F (20.5°C) | TC | 11.06 | 15.09 | 17.89 | 18.67 | 19.00 | 23.18 | 22.13 | 23.44 | 20.84 | 21.19 | 18.90 | 23.86 |
| | | Input | 2.13 | 2.35 | 2.55 | 2.56 | 2.60 | 2.55 | 2.49 | 2.60 | 2.00 | 2.01 | 1.65 | 1.61 |
| | | COP | 1.52 | 1.88 | 2.05 | 2.14 | 2.14 | 2.67 | 2.60 | 2.64 | 3.05 | 3.09 | 3.36 | 4.36 |
| | 71.6°F (22°C) | TC | 10.91 | 14.93 | 17.74 | 18.52 | 18.85 | 23.03 | 21.98 | 23.29 | 20.69 | 21.04 | 18.75 | 23.71 |
| | | Input | 2.12 | 2.35 | 2.55 | 2.56 | 2.60 | 2.54 | 2.49 | 2.60 | 2.00 | 2.01 | 1.65 | 1.60 |
| | | COP | 1.51 | 1.86 | 2.04 | 2.12 | 2.13 | 2.65 | 2.59 | 2.63 | 3.03 | 3.07 | 3.33 | 4.33 |
| 24 (208-230V) | 59°F (15°C) | TC | 12.32 | 18.87 | 24.01 | 27.18 | 28.44 | 28.42 | 28.45 | 31.11 | 31.25 | 30.11 | 31.83 | 35.23 |
| | | Input | 2.82 | 3.33 | 3.74 | 3.97 | 3.90 | 3.75 | 3.61 | 3.72 | 3.45 | 3.10 | 2.75 | 2.85 |
| | | COP | 1.31 | 1.70 | 1.93 | 2.07 | 2.19 | 2.22 | 2.31 | 2.45 | 2.65 | 2.86 | 3.40 | 3.62 |
| | 64.4°F (18°C) | TC | 12.32 | 18.86 | 24.00 | 27.18 | 28.43 | 28.41 | 28.44 | 31.11 | 31.25 | 30.11 | 31.83 | 35.22 |
| | | Input | 2.82 | 3.33 | 3.74 | 3.97 | 3.90 | 3.75 | 3.61 | 3.72 | 3.45 | 3.10 | 2.75 | 2.85 |
| | | COP | 1.28 | 1.66 | 1.88 | 2.01 | 2.14 | 2.22 | 2.31 | 2.45 | 2.65 | 2.84 | 3.40 | 3.62 |
| | 69°F (20.5°C) | TC | 12.32 | 18.86 | 24.00 | 27.18 | 28.43 | 28.41 | 28.44 | 31.11 | 31.24 | 30.10 | 31.82 | 35.22 |
| | | Input | 2.82 | 3.33 | 3.75 | 3.97 | 3.90 | 3.75 | 3.61 | 3.72 | 3.45 | 3.10 | 2.75 | 2.85 |
| | | COP | 1.28 | 1.66 | 1.88 | 2.01 | 2.14 | 2.22 | 2.31 | 2.45 | 2.65 | 2.84 | 3.40 | 3.62 |
| | 71.6°F (22°C) | TC | 12.32 | 18.86 | 24.00 | 27.18 | 28.43 | 28.41 | 28.44 | 31.11 | 31.24 | 30.10 | 31.82 | 35.22 |
| | | Input | 2.82 | 3.33 | 3.75 | 3.97 | 3.90 | 3.75 | 3.61 | 3.72 | 3.45 | 3.10 | 2.75 | 2.85 |
| | | COP | 1.28 | 1.66 | 1.88 | 2.01 | 2.14 | 2.22 | 2.31 | 2.45 | 2.65 | 2.84 | 3.39 | 3.62 |
| 30 (208-230V) | 59°F (15°C) | TC | 10.26 | 14.19 | 19.69 | 22.03 | 21.61 | 24.37 | 24.64 | 26.14 | 27.79 | 28.47 | 28.66 | 39.22 |
| | | Input | 2.20 | 2.37 | 2.67 | 2.77 | 2.66 | 2.72 | 2.73 | 2.86 | 2.82 | 2.71 | 2.60 | 2.85 |
| | | COP | 1.37 | 1.75 | 2.19 | 2.36 | 2.40 | 2.63 | 2.69 | 2.74 | 2.96 | 3.49 | 3.66 | 4.03 |
| | 64.4°F (18°C) | TC | 10.03 | 13.97 | 19.47 | 21.81 | 21.39 | 24.15 | 24.42 | 25.92 | 27.57 | 28.24 | 28.44 | 39.00 |
| | | Input | 2.34 | 2.51 | 2.81 | 2.91 | 2.81 | 2.86 | 2.87 | 3.00 | 2.97 | 2.86 | 2.74 | 2.99 |
| | | COP | 1.26 | 1.63 | 2.03 | 2.19 | 2.23 | 2.48 | 2.49 | 2.53 | 2.72 | 2.90 | 3.05 | 3.82 |
| | 69°F (20.5°C) | TC | 9.85 | 13.78 | 19.28 | 21.62 | 21.20 | 23.96 | 24.23 | 25.73 | 27.38 | 28.06 | 28.25 | 38.81 |
| | | Input | 2.20 | 2.37 | 2.67 | 2.77 | 2.66 | 2.72 | 2.73 | 2.86 | 2.82 | 2.71 | 2.60 | 2.85 |
| | | COP | 1.37 | 1.75 | 2.19 | 2.36 | 2.40 | 2.63 | 2.69 | 2.74 | 2.96 | 3.49 | 3.66 | 4.03 |
| | 71.6°F (22°C) | TC | 10.32 | 14.26 | 19.75 | 22.09 | 21.67 | 24.44 | 24.71 | 26.21 | 27.86 | 28.53 | 28.72 | 39.29 |
| | | Input | 2.53 | 2.70 | 3.00 | 3.10 | 2.99 | 3.05 | 3.06 | 3.19 | 3.16 | 3.05 | 2.93 | 3.18 |
| | | COP | 1.20 | 1.55 | 1.93 | 2.09 | 2.12 | 2.35 | 2.36 | 2.41 | 2.59 | 2.75 | 2.88 | 3.62 |
| 36 (208-230V) | 59°F (15°C) | TC | 10.97 | 15.42 | 17.53 | 18.53 | 18.90 | 26.34 | 22.88 | 25.39 | 26.24 | 24.87 | 28.58 | 36.44 |
| | | Input | 2.41 | 2.67 | 2.77 | 2.81 | 2.76 | 3.08 | 2.81 | 2.93 | 2.89 | 2.73 | 2.78 | 2.65 |
| | | COP | 1.33 | 1.69 | 1.85 | 1.93 | 2.00 | 2.50 | 2.38 | 2.54 | 2.65 | 2.67 | 3.01 | 4.03 |
| | 64.4°F (18°C) | TC | 11.04 | 15.50 | 17.61 | 18.61 | 18.98 | 26.42 | 22.96 | 25.46 | 26.32 | 24.94 | 28.65 | 36.52 |
| | | Input | 2.42 | 2.68 | 2.77 | 2.81 | 2.77 | 3.09 | 2.82 | 2.93 | 2.90 | 2.73 | 2.78 | 2.65 |
| | | COP | 1.34 | 1.70 | 1.86 | 1.94 | 2.01 | 2.51 | 2.39 | 2.54 | 2.66 | 2.68 | 3.02 | 4.03 |
| | 69°F (20.5°C) | TC | 11.11 | 15.56 | 17.67 | 18.68 | 19.05 | 26.49 | 23.03 | 25.53 | 26.39 | 25.01 | 28.72 | 36.58 |
| | | Input | 2.42 | 2.68 | 2.78 | 2.82 | 2.77 | 3.09 | 2.82 | 2.94 | 2.90 | 2.74 | 2.79 | 2.66 |
| | | COP | 1.34 | 1.70 | 1.87 | 1.94 | 2.02 | 2.51 | 2.39 | 2.55 | 2.67 | 2.68 | 3.02 | 4.04 |
| | 71.6°F (22°C) | TC | 11.15 | 15.60 | 17.71 | 18.71 | 19.08 | 26.52 | 23.06 | 25.57 | 26.42 | 25.05 | 28.76 | 36.62 |
| | | Input | 2.42 | 2.68 | 2.78 | 2.82 | 2.77 | 3.09 | 2.82 | 2.94 | 2.90 | 2.74 | 2.79 | 2.66 |
| | | COP | 1.35 | 1.71 | 1.87 | 1.95 | 2.02 | 2.51 | 2.39 | 2.55 | 2.67 | 2.68 | 3.02 | 4.04 |

LEGEND

- DB --- Dry Bulb
- WB --- Wet Bulb
- TC --- Total Net Capacity (1000 Btu/hour)
- Input --- Total Power (kW)
- COP --- W/W

COOLING PERFORMANCE - FV4 FAN COIL

| Model | COOLING | | | OUTDOOR CONDITIONS (DB) | | | | | | | | | | | |
|------------------|----------------------|---------------|-------|-------------------------|--------------|-------------|-------------|-------------|------------|-------------|-------------|-------------|--------------|--------------|--------------|
| | Indoor Conditions DB | | | -13°F (-25°C) | -4°F (-20°C) | 0°F (-17°C) | 5°F (-15°C) | 17°F (-8°C) | 47°F (8°C) | 77°F (25°C) | 86°F (30°C) | 95°F (35°C) | 104°F (40°C) | 113°F (45°C) | 122°F (50°C) |
| | DB | WB | | | | | | | | | | | | | |
| 12 (208-230V) | 69.8°F (21°C) | 59°F (15°C) | TC | 14.33 | 14.03 | 13.54 | 13.63 | 14.51 | 9.95 | 8.17 | 14.48 | 14.48 | 12.45 | 9.39 | 6.28 |
| | | | SC | 12.72 | 12.45 | 12.12 | 12.22 | 12.85 | 9.94 | 7.36 | 12.15 | 12.85 | 11.92 | 9.32 | 6.18 |
| | | | Input | 0.50 | 0.55 | 0.65 | 0.65 | 0.65 | 0.49 | 0.49 | 1.22 | 1.44 | 1.42 | 1.08 | 0.82 |
| | 75.2°F (24°C) | 62.6°F (17°C) | TC | 15.11 | 14.81 | 14.32 | 14.42 | 15.29 | 10.74 | 8.95 | 15.26 | 15.26 | 13.23 | 10.18 | 7.06 |
| | | | SC | 13.01 | 12.75 | 12.32 | 12.41 | 13.16 | 9.24 | 7.70 | 13.13 | 13.13 | 11.39 | 8.76 | 6.08 |
| | | | Input | 0.52 | 0.56 | 0.67 | 0.66 | 0.67 | 0.51 | 0.51 | 1.24 | 1.45 | 1.43 | 1.09 | 0.83 |
| | 80.6°F (27°C) | 66.2°F (19°C) | TC | 15.68 | 15.38 | 14.89 | 14.98 | 15.86 | 11.30 | 9.52 | 15.82 | 15.82 | 13.80 | 10.74 | 7.63 |
| | | | SC | 13.33 | 13.08 | 12.66 | 12.74 | 13.49 | 9.61 | 8.09 | 13.46 | 13.46 | 11.74 | 9.13 | 6.49 |
| | | | Input | 0.53 | 0.57 | 0.68 | 0.68 | 0.68 | 0.52 | 0.52 | 1.25 | 1.46 | 1.44 | 1.10 | 0.84 |
| | 89.6°F (32°C) | 73.4°F (23°C) | TC | 16.79 | 16.49 | 16.00 | 16.09 | 16.97 | 12.41 | 10.63 | 16.94 | 16.93 | 14.91 | 11.85 | 8.74 |
| | | | SC | 13.23 | 13.00 | 12.61 | 12.68 | 13.37 | 9.78 | 8.38 | 13.35 | 13.35 | 11.75 | 9.34 | 6.89 |
| | | | Input | 0.55 | 0.59 | 0.70 | 0.70 | 0.70 | 0.54 | 0.54 | 1.27 | 1.49 | 1.46 | 1.13 | 0.86 |
| 18 (208-230V) | 69.8°F (21°C) | 59°F (15°C) | TC | 18.87 | 18.38 | 19.69 | 16.77 | 16.24 | 13.47 | 12.96 | 16.34 | 17.48 | 13.95 | 11.17 | 6.91 |
| | | | SC | 13.60 | 13.24 | 14.23 | 12.93 | 12.58 | 11.25 | 10.70 | 12.16 | 12.60 | 10.97 | 9.69 | 6.91 |
| | | | Input | 0.73 | 0.79 | 0.73 | 0.89 | 1.08 | 0.72 | 0.89 | 1.62 | 2.00 | 1.60 | 1.55 | 1.02 |
| | 75.2°F (24°C) | 62.6°F (17°C) | TC | 20.97 | 20.48 | 21.79 | 18.87 | 18.35 | 15.58 | 15.07 | 18.44 | 19.59 | 16.05 | 13.27 | 9.01 |
| | | | SC | 15.23 | 14.87 | 15.82 | 13.70 | 13.32 | 11.31 | 10.94 | 13.39 | 14.22 | 11.66 | 9.64 | 6.54 |
| | | | Input | 0.74 | 0.80 | 0.74 | 0.90 | 1.09 | 0.73 | 0.90 | 1.63 | 2.01 | 1.61 | 1.56 | 1.03 |
| | 80.6°F (27°C) | 66.2°F (19°C) | TC | 23.11 | 22.62 | 23.93 | 21.01 | 20.49 | 17.71 | 17.20 | 20.58 | 21.73 | 18.19 | 15.41 | 11.15 |
| | | | SC | 16.67 | 16.31 | 17.25 | 15.15 | 14.77 | 12.77 | 12.41 | 14.84 | 15.67 | 13.12 | 11.11 | 8.04 |
| | | | Input | 0.77 | 0.82 | 0.77 | 0.93 | 1.12 | 0.76 | 0.93 | 1.65 | 2.04 | 1.64 | 1.58 | 1.06 |
| | 89.6°F (32°C) | 73.4°F (23°C) | TC | 26.83 | 26.34 | 27.65 | 24.73 | 24.20 | 21.43 | 20.92 | 24.30 | 25.44 | 21.91 | 19.13 | 14.87 |
| | | | SC | 19.43 | 19.07 | 20.02 | 17.91 | 17.52 | 15.52 | 15.15 | 17.59 | 18.42 | 15.87 | 13.85 | 10.77 |
| | | | Input | 0.82 | 0.87 | 0.82 | 0.98 | 1.17 | 0.81 | 0.98 | 1.71 | 2.09 | 1.69 | 1.64 | 1.11 |
| 24 (208-230V) | 69.8°F (21°C) | 59°F (15°C) | TC | 21.69 | 21.27 | 21.29 | 19.79 | 20.53 | 14.99 | 14.44 | 24.73 | 23.05 | 19.79 | 13.37 | 7.36 |
| | | | SC | 16.59 | 16.26 | 16.82 | 16.15 | 16.05 | 14.70 | 13.90 | 18.39 | 17.63 | 16.12 | 13.37 | 7.36 |
| | | | Input | 1.78 | 1.81 | 1.88 | 2.08 | 2.17 | 0.86 | 1.01 | 2.62 | 2.88 | 2.75 | 2.15 | 1.46 |
| | 75.2°F (24°C) | 62.6°F (17°C) | TC | 23.90 | 23.48 | 23.50 | 22.00 | 22.74 | 17.20 | 16.65 | 26.93 | 25.26 | 21.99 | 15.57 | 9.57 |
| | | | SC | 18.46 | 18.13 | 18.15 | 16.99 | 17.56 | 13.28 | 12.86 | 20.80 | 19.51 | 16.99 | 12.03 | 7.39 |
| | | | Input | 1.83 | 1.85 | 1.93 | 2.13 | 2.22 | 0.91 | 1.05 | 2.67 | 2.92 | 2.80 | 2.20 | 1.51 |
| | 80.6°F (27°C) | 66.2°F (19°C) | TC | 26.22 | 25.79 | 25.82 | 24.32 | 25.06 | 19.52 | 18.97 | 29.25 | 27.58 | 24.31 | 17.89 | 11.89 |
| | | | SC | 20.02 | 19.70 | 19.71 | 18.57 | 19.14 | 14.90 | 14.49 | 22.34 | 21.06 | 18.56 | 13.66 | 9.08 |
| | | | Input | 1.88 | 1.91 | 1.98 | 2.19 | 2.27 | 0.96 | 1.11 | 2.72 | 2.98 | 2.85 | 2.25 | 1.56 |
| | 89.6°F (32°C) | 73.4°F (23°C) | TC | 30.63 | 30.21 | 30.23 | 28.73 | 29.47 | 23.93 | 23.38 | 33.67 | 31.99 | 28.73 | 22.31 | 16.30 |
| | | | SC | 21.37 | 21.07 | 21.08 | 20.04 | 20.56 | 16.69 | 16.31 | 23.48 | 22.31 | 20.04 | 15.56 | 11.37 |
| | | | Input | 1.99 | 2.01 | 2.08 | 2.29 | 2.37 | 1.06 | 1.21 | 2.82 | 3.08 | 2.95 | 2.35 | 1.66 |
| 30 (208-230V) | 69.8°F (21°C) | 59°F (15°C) | TC | 34.46 | 33.45 | 32.65 | 30.72 | 30.52 | 31.88 | 20.54 | 24.13 | 28.93 | 29.95 | 23.87 | 16.58 |
| | | | SC | 26.96 | 26.18 | 25.39 | 23.86 | 23.58 | 24.25 | 19.53 | 20.81 | 22.92 | 23.34 | 20.92 | 16.46 |
| | | | Input | 1.02 | 1.13 | 1.23 | 1.23 | 1.32 | 1.76 | 1.09 | 1.66 | 2.73 | 3.37 | 3.34 | 2.53 |
| | 75.2°F (24°C) | 62.6°F (17°C) | TC | 35.56 | 34.55 | 33.75 | 31.82 | 31.62 | 32.98 | 21.64 | 25.23 | 30.03 | 31.05 | 24.97 | 17.68 |
| | | | SC | 28.63 | 27.81 | 26.99 | 25.58 | 25.41 | 26.53 | 17.46 | 20.21 | 24.12 | 24.87 | 20.00 | 14.05 |
| | | | Input | 1.04 | 1.15 | 1.25 | 1.25 | 1.34 | 1.78 | 1.11 | 1.68 | 2.75 | 3.39 | 3.36 | 2.55 |
| | 80.6°F (27°C) | 66.2°F (19°C) | TC | 36.70 | 35.69 | 34.89 | 32.96 | 32.76 | 34.12 | 22.78 | 26.37 | 31.17 | 32.19 | 26.11 | 18.82 |
| | | | SC | 29.72 | 28.89 | 28.07 | 26.64 | 26.47 | 27.60 | 18.45 | 21.23 | 25.17 | 25.92 | 21.02 | 15.01 |
| | | | Input | 1.07 | 1.18 | 1.28 | 1.28 | 1.37 | 1.81 | 1.14 | 1.71 | 2.78 | 3.42 | 3.39 | 2.58 |
| | 89.6°F (32°C) | 73.4°F (23°C) | TC | 37.90 | 36.89 | 36.09 | 34.16 | 33.96 | 35.32 | 23.98 | 27.57 | 32.37 | 33.39 | 27.31 | 20.02 |
| | | | SC | 31.81 | 30.98 | 30.15 | 28.72 | 28.55 | 29.68 | 20.48 | 23.28 | 27.24 | 28.00 | 23.07 | 17.03 |
| | | | Input | 1.14 | 1.25 | 1.35 | 1.35 | 1.44 | 1.88 | 1.21 | 1.78 | 2.85 | 3.49 | 3.46 | 2.65 |
| 36 (208-230V) | 69.8°F (21°C) | 59°F (15°C) | TC | 29.82 | 29.25 | 28.78 | 27.39 | 26.54 | 27.34 | 21.49 | 24.54 | 32.44 | 29.31 | 23.19 | 19.34 |
| | | | SC | 24.46 | 23.99 | 23.52 | 23.09 | 22.68 | 23.07 | 20.42 | 22.01 | 25.68 | 24.12 | 21.32 | 19.20 |
| | | | Input | 0.85 | 0.99 | 1.14 | 1.15 | 1.22 | 1.55 | 1.45 | 1.83 | 3.53 | 4.16 | 3.38 | 3.05 |
| | 75.2°F (24°C) | 62.6°F (17°C) | TC | 31.82 | 31.25 | 30.78 | 29.39 | 28.54 | 29.34 | 23.49 | 26.97 | 34.86 | 31.73 | 25.62 | 21.77 |
| | | | SC | 26.02 | 25.56 | 25.10 | 24.05 | 23.34 | 24.09 | 19.36 | 21.83 | 28.22 | 25.69 | 20.74 | 17.62 |
| | | | Input | 0.96 | 1.11 | 1.26 | 1.27 | 1.34 | 1.66 | 1.56 | 1.95 | 3.65 | 4.28 | 3.50 | 3.16 |
| | 80.6°F (27°C) | 66.2°F (19°C) | TC | 35.07 | 34.60 | 34.48 | 32.64 | 31.79 | 32.59 | 26.74 | 29.97 | 37.87 | 34.74 | 28.62 | 24.77 |
| | | | SC | 27.77 | 27.32 | 26.87 | 25.84 | 25.15 | 25.88 | 21.26 | 23.68 | 29.92 | 27.44 | 22.61 | 19.57 |
| | | | Input | 1.08 | 1.23 | 1.38 | 1.39 | 1.46 | 1.78 | 1.68 | 2.07 | 3.77 | 4.40 | 3.62 | 3.29 |
| | 89.6°F (32°C) | 73.4°F (23°C) | TC | 40.17 | 39.70 | 39.58 | 37.74 | 36.89 | 37.69 | 31.84 | 35.07 | 43.58 | 40.45 | 34.33 | 30.48 |
| | | | SC | 28.66 | 28.26 | 27.86 | 26.95 | 26.34 | 26.99 | 22.89 | 25.03 | 30.57 | 28.37 | 24.08 | 21.38 |
| | | | Input | 1.32 | 1.46 | 1.61 | 1.62 | 1.69 | 2.02 | 1.92 | 2.30 | 4.00 | 4.63 | 3.85 | 3.52 |

LEGEND

- DB --- Dry Bulb
- WB --- Wet Bulb
- TC --- Total Net Capacity (1000 Btu/hour)
- SC --- Sensible Capacity (1000 Btu/hour)
- Input --- Total Power (kW)

HEATING PERFORMANCE - FV4 FAN COIL

| Model | HEATING | | OUTDOOR CONDITIONS (DB) | | | | | | | | | | | |
|------------------|----------------------|-------|-------------------------|---------------|--------------|-------------|-------------|-------------|---------------|---------------|------------|--------------|--------------|---------------|
| | Indoor Conditions DB | | -22°F (-30°C) | -13°F (-25°C) | -4°F (-20°C) | 0°F (-17°C) | 5°F (-15°C) | 17°F (-8°C) | 19.4°F (-7°C) | 24.8°F (-4°C) | 32°F (0°C) | 39.2°F (4°C) | 44.6°F (7°C) | 53.6°F (12°C) |
| 12 (208-230V) | 59°F (15°C) | TC | 6.48 | 7.73 | 8.29 | 9.47 | 9.36 | 14.09 | 14.34 | 14.81 | 15.03 | 14.21 | 12.85 | 15.51 |
| | | Input | 1.38 | 1.38 | 1.40 | 1.43 | 1.40 | 1.54 | 1.55 | 1.56 | 1.42 | 1.22 | 1.01 | 1.00 |
| | | COP | 1.38 | 1.67 | 1.75 | 1.94 | 1.96 | 2.68 | 2.71 | 2.78 | 3.10 | 3.54 | 3.80 | 4.54 |
| | 64.4°F (18°C) | TC | 6.43 | 7.68 | 8.24 | 9.42 | 9.31 | 14.04 | 14.29 | 14.76 | 14.98 | 14.15 | 12.80 | 15.46 |
| | | Input | 1.46 | 1.46 | 1.49 | 1.51 | 1.48 | 1.62 | 1.63 | 1.64 | 1.50 | 1.30 | 1.09 | 1.08 |
| | | COP | 1.29 | 1.54 | 1.62 | 1.82 | 1.84 | 2.54 | 2.57 | 2.64 | 2.92 | 3.19 | 3.43 | 4.18 |
| | 69°F (20.5°C) | TC | 6.39 | 7.63 | 8.20 | 9.38 | 9.27 | 14.00 | 14.25 | 14.72 | 14.93 | 14.11 | 12.76 | 15.41 |
| | | Input | 1.38 | 1.38 | 1.40 | 1.43 | 1.40 | 1.54 | 1.55 | 1.56 | 1.42 | 1.22 | 1.01 | 1.00 |
| | | COP | 1.38 | 1.67 | 1.75 | 1.94 | 1.96 | 2.68 | 2.71 | 2.78 | 3.10 | 3.54 | 3.80 | 4.54 |
| | 71.6°F (22°C) | TC | 8.84 | 10.08 | 10.64 | 11.82 | 11.71 | 16.44 | 16.69 | 17.16 | 17.38 | 16.56 | 15.20 | 17.86 |
| | | Input | 1.57 | 1.57 | 1.60 | 1.62 | 1.59 | 1.73 | 1.74 | 1.75 | 1.61 | 1.41 | 1.20 | 1.19 |
| | | COP | 1.65 | 1.88 | 1.95 | 2.13 | 2.15 | 2.78 | 2.81 | 2.88 | 3.16 | 3.44 | 3.70 | 4.38 |
| 18 (208-230V) | 59°F (15°C) | TC | 11.91 | 13.15 | 14.36 | 15.08 | 15.66 | 18.30 | 18.60 | 18.86 | 20.00 | 19.86 | 18.41 | 19.59 |
| | | Input | 1.69 | 1.82 | 1.52 | 1.55 | 1.55 | 1.83 | 1.84 | 1.85 | 1.91 | 1.89 | 1.61 | 1.51 |
| | | COP | 2.09 | 2.14 | 2.00 | 2.29 | 2.28 | 2.93 | 2.96 | 2.98 | 3.08 | 3.08 | 3.35 | 3.81 |
| | 64.4°F (18°C) | TC | 12.04 | 13.28 | 14.49 | 15.21 | 15.79 | 18.43 | 18.73 | 18.99 | 20.13 | 19.99 | 18.54 | 19.72 |
| | | Input | 1.69 | 1.82 | 1.52 | 1.55 | 1.55 | 1.83 | 1.84 | 1.85 | 1.91 | 1.89 | 1.61 | 1.51 |
| | | COP | 2.09 | 2.14 | 2.80 | 2.88 | 2.98 | 2.95 | 2.98 | 3.00 | 3.10 | 3.10 | 3.37 | 3.84 |
| | 69°F (20.5°C) | TC | 12.15 | 13.39 | 14.60 | 15.32 | 15.90 | 18.54 | 18.84 | 19.10 | 20.24 | 20.10 | 18.65 | 19.83 |
| | | Input | 1.68 | 1.82 | 1.52 | 1.55 | 1.55 | 1.83 | 1.84 | 1.85 | 1.90 | 1.89 | 1.61 | 1.50 |
| | | COP | 2.11 | 2.16 | 2.82 | 2.90 | 3.01 | 2.97 | 3.00 | 3.02 | 3.11 | 3.12 | 3.39 | 3.86 |
| | 71.6°F (22°C) | TC | 12.21 | 13.45 | 14.66 | 15.38 | 15.96 | 18.60 | 18.90 | 19.16 | 20.30 | 20.16 | 18.71 | 19.89 |
| | | Input | 1.68 | 1.82 | 1.52 | 1.55 | 1.55 | 1.83 | 1.84 | 1.85 | 1.90 | 1.89 | 1.61 | 1.50 |
| | | COP | 2.13 | 2.17 | 2.83 | 2.91 | 3.02 | 2.98 | 3.01 | 3.03 | 3.12 | 3.13 | 3.40 | 3.88 |
| 24 (208-230V) | 59°F (15°C) | TC | 16.67 | 19.06 | 20.37 | 22.09 | 23.66 | 23.68 | 24.48 | 26.53 | 29.13 | 31.79 | 30.69 | 32.35 |
| | | Input | 1.34 | 1.69 | 2.62 | 2.58 | 2.69 | 2.91 | 2.91 | 3.00 | 3.18 | 3.25 | 2.77 | 2.61 |
| | | COP | 2.86 | 3.33 | 1.83 | 2.05 | 2.25 | 2.39 | 2.42 | 2.59 | 2.68 | 2.87 | 3.25 | 3.64 |
| | 64.4°F (18°C) | TC | 16.77 | 19.16 | 20.47 | 22.19 | 23.76 | 23.78 | 24.58 | 26.62 | 29.23 | 31.89 | 30.79 | 32.45 |
| | | Input | 1.34 | 1.69 | 2.62 | 2.59 | 2.69 | 2.91 | 2.91 | 3.00 | 3.19 | 3.25 | 2.77 | 2.61 |
| | | COP | 3.66 | 3.32 | 2.29 | 2.51 | 2.58 | 2.39 | 2.47 | 2.60 | 2.69 | 2.87 | 3.25 | 3.64 |
| | 69°F (20.5°C) | TC | 16.86 | 19.24 | 20.55 | 22.27 | 23.84 | 23.86 | 24.66 | 26.71 | 29.32 | 31.98 | 30.87 | 32.53 |
| | | Input | 1.35 | 1.70 | 2.63 | 2.59 | 2.70 | 2.92 | 2.92 | 3.01 | 3.19 | 3.26 | 2.78 | 2.62 |
| | | COP | 3.67 | 3.32 | 2.29 | 2.52 | 2.59 | 2.40 | 2.48 | 2.60 | 2.69 | 2.88 | 3.26 | 3.64 |
| | 71.6°F (22°C) | TC | 16.90 | 19.29 | 20.60 | 22.32 | 23.89 | 23.91 | 24.71 | 26.76 | 29.36 | 32.02 | 30.92 | 32.58 |
| | | Input | 1.35 | 1.70 | 2.63 | 2.59 | 2.70 | 2.92 | 2.92 | 3.01 | 3.19 | 3.26 | 2.78 | 2.62 |
| | | COP | 3.67 | 3.33 | 2.30 | 2.52 | 2.59 | 2.40 | 2.48 | 2.61 | 2.70 | 2.88 | 3.26 | 3.65 |
| 30 (208-230V) | 59°F (15°C) | TC | 10.37 | 13.83 | 18.91 | 21.14 | 21.34 | 24.11 | 22.31 | 22.72 | 23.74 | 26.80 | 28.31 | 32.75 |
| | | Input | 2.27 | 2.51 | 2.67 | 2.70 | 2.62 | 2.67 | 2.62 | 2.58 | 2.53 | 2.57 | 2.53 | 2.48 |
| | | COP | 1.23 | 1.56 | 2.03 | 2.26 | 2.36 | 2.63 | 2.47 | 2.57 | 2.90 | 3.08 | 3.41 | 3.85 |
| | 64.4°F (18°C) | TC | 10.86 | 14.32 | 19.40 | 21.63 | 21.83 | 24.60 | 22.80 | 23.21 | 24.22 | 27.29 | 28.80 | 33.24 |
| | | Input | 2.25 | 2.49 | 2.66 | 2.69 | 2.60 | 2.66 | 2.60 | 2.57 | 2.52 | 2.55 | 2.51 | 2.46 |
| | | COP | 1.41 | 1.68 | 2.14 | 2.36 | 2.46 | 2.71 | 2.57 | 2.65 | 2.82 | 3.13 | 3.36 | 3.95 |
| | 69°F (20.5°C) | TC | 11.70 | 14.73 | 19.81 | 22.04 | 22.24 | 25.01 | 23.21 | 23.62 | 24.64 | 27.70 | 29.22 | 33.66 |
| | | Input | 2.24 | 2.48 | 2.64 | 2.67 | 2.59 | 2.64 | 2.58 | 2.55 | 2.50 | 2.54 | 2.50 | 2.45 |
| | | COP | 1.48 | 1.74 | 2.20 | 2.42 | 2.52 | 2.78 | 2.63 | 2.71 | 2.89 | 3.20 | 3.43 | 4.03 |
| | 71.6°F (22°C) | TC | 11.51 | 14.97 | 20.05 | 22.28 | 22.48 | 25.25 | 23.45 | 23.86 | 24.87 | 27.94 | 29.45 | 33.89 |
| | | Input | 2.23 | 2.47 | 2.63 | 2.66 | 2.58 | 2.63 | 2.58 | 2.54 | 2.49 | 2.53 | 2.49 | 2.44 |
| | | COP | 1.51 | 1.78 | 2.23 | 2.45 | 2.56 | 2.81 | 2.67 | 2.75 | 2.92 | 3.24 | 3.47 | 4.07 |
| 36 (208-230V) | 59°F (15°C) | TC | 10.92 | 15.37 | 17.82 | 19.75 | 19.94 | 20.69 | 21.00 | 22.89 | 26.34 | 26.52 | 28.30 | 36.62 |
| | | Input | 2.51 | 2.80 | 2.91 | 2.99 | 2.95 | 2.78 | 2.84 | 2.95 | 2.99 | 2.95 | 2.90 | 2.76 |
| | | COP | 1.28 | 1.61 | 1.79 | 1.93 | 1.98 | 2.18 | 2.16 | 2.27 | 2.58 | 2.64 | 1.26 | 3.90 |
| | 64.4°F (18°C) | TC | 10.94 | 15.39 | 17.84 | 19.76 | 19.96 | 20.71 | 21.02 | 22.90 | 26.36 | 26.54 | 28.32 | 36.64 |
| | | Input | 2.51 | 2.80 | 2.91 | 2.99 | 2.95 | 2.78 | 2.84 | 2.95 | 2.99 | 2.95 | 2.90 | 2.76 |
| | | COP | 1.28 | 1.61 | 1.80 | 1.94 | 1.98 | 2.18 | 2.17 | 2.27 | 2.59 | 2.64 | 2.86 | 3.90 |
| | 69°F (20.5°C) | TC | 15.90 | 15.40 | 17.85 | 19.78 | 19.97 | 20.72 | 21.03 | 22.92 | 26.37 | 26.55 | 28.33 | 36.65 |
| | | Input | 2.51 | 2.80 | 2.91 | 2.99 | 2.95 | 2.78 | 2.84 | 2.95 | 2.99 | 2.95 | 2.90 | 2.76 |
| | | COP | 1.28 | 1.61 | 1.80 | 1.94 | 1.98 | 2.18 | 2.17 | 2.27 | 2.59 | 2.64 | 2.86 | 3.90 |
| | 71.6°F (22°C) | TC | 10.96 | 15.41 | 17.86 | 19.78 | 19.98 | 20.73 | 21.04 | 22.93 | 26.38 | 26.56 | 28.34 | 36.66 |
| | | Input | 2.51 | 2.80 | 2.91 | 2.99 | 2.95 | 2.78 | 2.84 | 2.95 | 2.99 | 2.95 | 2.90 | 2.76 |
| | | COP | 1.28 | 1.61 | 1.80 | 1.94 | 1.99 | 2.18 | 2.17 | 2.27 | 2.59 | 2.64 | 2.86 | 3.90 |

LEGEND

- DB --- Dry Bulb
- WB --- Wet Bulb
- TC --- Total Net Capacity (1000 Btu/hour)
- Input --- Total Power (kW)
- COP --- W/W

COOLING PERFORMANCE - AIR HANDLER

| Model | COOLING | | | OUTDOOR CONDITIONS (DB) | | | | | | | | | | | |
|------------------|-------------------|---------------|-------|-------------------------|--------------|-------------|-------------|-------------|------------|-------------|-------------|-------------|--------------|--------------|--------------|
| | Indoor Conditions | | | -13°F (-25°C) | -4°F (-20°C) | 0°F (-17°C) | 5°F (-15°C) | 17°F (-8°C) | 47°F (8°C) | 77°F (25°C) | 86°F (30°C) | 95°F (35°C) | 104°F (40°C) | 113°F (45°C) | 122°F (50°C) |
| | DB | WB | | | | | | | | | | | | | |
| 24 (208-230V) | 69.8°F (21°C) | 59°F (15°C) | TC | 23.35 | 22.96 | 19.92 | 19.69 | 23.95 | 25.69 | 16.54 | 22.26 | 21.78 | 21.03 | 16.91 | 11.01 |
| | | | SC | 18.82 | 18.50 | 15.86 | 15.69 | 19.09 | 20.49 | 14.53 | 17.85 | 17.56 | 17.40 | 13.99 | 10.87 |
| | | | Input | 0.92 | 1.02 | 1.10 | 1.14 | 1.18 | 1.33 | 1.15 | 2.47 | 2.86 | 2.54 | 2.08 | 1.72 |
| | 75.2°F (24°C) | 62.6°F (17°C) | TC | 27.70 | 27.30 | 24.27 | 24.04 | 28.30 | 30.04 | 20.89 | 26.61 | 26.13 | 25.38 | 21.26 | 15.35 |
| | | | SC | 22.33 | 22.01 | 19.56 | 19.38 | 22.81 | 24.21 | 16.84 | 21.45 | 21.07 | 20.46 | 17.14 | 12.38 |
| | | | Input | 1.00 | 1.09 | 1.18 | 1.21 | 1.26 | 1.40 | 1.22 | 2.55 | 2.93 | 2.62 | 2.16 | 1.79 |
| | 80.6°F (27°C) | 66.2°F (19°C) | TC | 30.28 | 29.88 | 26.85 | 26.62 | 30.88 | 32.62 | 23.47 | 29.19 | 28.71 | 27.96 | 23.84 | 17.93 |
| | | | SC | 24.40 | 24.09 | 21.64 | 21.46 | 24.89 | 26.29 | 18.92 | 23.53 | 23.14 | 22.53 | 19.22 | 14.46 |
| | | | Input | 1.04 | 1.14 | 1.23 | 1.26 | 1.30 | 1.45 | 1.27 | 2.59 | 2.98 | 2.67 | 2.20 | 1.84 |
| | 89.6°F (32°C) | 73.4°F (23°C) | TC | 34.29 | 33.90 | 30.86 | 30.64 | 34.89 | 36.63 | 27.49 | 33.21 | 32.73 | 31.97 | 27.86 | 21.95 |
| | | | SC | 27.64 | 27.33 | 24.88 | 24.69 | 28.13 | 29.53 | 22.16 | 26.77 | 26.38 | 25.77 | 22.45 | 17.69 |
| | | | Input | 1.11 | 1.21 | 1.30 | 1.33 | 1.38 | 1.52 | 1.34 | 2.66 | 3.05 | 2.74 | 2.28 | 1.91 |

LEGEND

DB --- Dry Bulb
WB --- Wet Bulb
TC --- Total Net Capacity (1000 Btu/hour)
SC --- Sensible Capacity (1000 Btu/hour)
Input --- Total Power (kW)

HEATING PERFORMANCE - AIR HANDLER

| MODEL | HEATING | | | OUTDOOR CONDITIONS (DB) | | | | | | | | | | |
|------------------|----------------------|-------|-------|-------------------------|---------------|--------------|-------------|-------------|-------------|---------------|---------------|------------|--------------|--------------|
| | Indoor Conditions DB | | | -22°F (-30°C) | -13°F (-25°C) | -4°F (-20°C) | 0°F (-17°C) | 5°F (-15°C) | 17°F (-8°C) | 19.4°F (-7°C) | 24.8°F (-4°C) | 32°F (0°C) | 39.2°F (4°C) | 44.6°F (7°C) |
| 24 (208-230V) | 59°F (15°C) | TC | 16.20 | 20.25 | 22.93 | 24.82 | 26.97 | 29.70 | 29.67 | 31.16 | 34.95 | 36.23 | 37.15 | 36.41 |
| | | Input | 3.09 | 3.32 | 3.54 | 3.69 | 3.77 | 3.85 | 3.78 | 3.80 | 3.25 | 3.29 | 3.14 | 2.42 |
| | | COP | 1.53 | 1.79 | 1.90 | 1.97 | 2.10 | 2.26 | 2.30 | 2.40 | 3.16 | 3.23 | 3.46 | 4.41 |
| | 64.4°F (18°C) | TC | 15.75 | 19.69 | 22.30 | 24.13 | 26.23 | 28.88 | 28.85 | 30.30 | 33.99 | 35.24 | 36.13 | 35.41 |
| | | Input | 3.20 | 3.43 | 3.66 | 3.82 | 3.89 | 3.98 | 3.90 | 3.93 | 3.35 | 3.40 | 3.25 | 2.50 |
| | | COP | 1.44 | 1.68 | 1.78 | 1.85 | 1.97 | 2.13 | 2.17 | 2.26 | 2.97 | 3.04 | 3.26 | 4.15 |
| | 69°F (20.5°C) | TC | 15.60 | 19.32 | 21.88 | 23.68 | 25.74 | 28.34 | 28.31 | 29.73 | 33.35 | 34.57 | 35.45 | 34.74 |
| | | Input | 3.30 | 3.54 | 3.78 | 3.94 | 4.02 | 4.11 | 4.03 | 4.05 | 3.46 | 3.51 | 3.35 | 2.58 |
| | | COP | 1.39 | 1.60 | 1.70 | 1.76 | 1.88 | 2.02 | 2.06 | 2.15 | 2.82 | 2.89 | 3.10 | 3.95 |
| | 71.6°F (22°C) | TC | 14.86 | 18.58 | 21.03 | 22.77 | 24.75 | 27.25 | 27.22 | 28.59 | 32.07 | 33.24 | 34.08 | 33.41 |
| | | Input | 3.40 | 3.65 | 3.89 | 4.06 | 4.14 | 4.23 | 4.15 | 4.18 | 3.57 | 3.62 | 3.45 | 2.66 |
| | | COP | 1.28 | 1.49 | 1.58 | 1.64 | 1.75 | 1.89 | 1.92 | 2.00 | 2.63 | 2.69 | 2.90 | 3.68 |

LEGEND

DB --- Dry Bulb
WB --- Wet Bulb
TC --- Total Net Capacity (1000 Btu/hour)
Input --- Total Power (kW)
COP --- (W/W)

APPLICATION DATA

Unit Selections

Select equipment that either matches or supports slightly more than the anticipated peak load. This provides better humidity control, fewer unit cycles, and less part-load operation.

For units used in spaces with high sensible loads, base equipment selection on unit sensible load, not on total anticipated load. Adjust for anticipated room wet bulb temperature to avoid undersizing the equipment.

Unit Mounting (Outdoor)

Refer to the unit's installation instructions for further details.

Unit leveling - For reliable operation, units should be level in all planes.

Clearance - Minimum clearance (see Fig. 6) must be provided for airflow. The condensing units are designed for free-flow application. Air inlets and outlets should not be restricted.

Unit location - A location which is convenient to installation and not exposed to strong winds. A location that can bear the weight of the outdoor unit and where the outdoor unit can be mounted in a level position.

Do not install the indoor or outdoor units in a location with special environmental conditions. For those applications, contact your sales representative.

System Operating Conditions

| OPERATING RANGE MIN/MAX °F °C | | |
|---|----------------------|---------------------|
| | COOLING | HEATING |
| OUTDOOR DB (SIZE 12 115V) | -13 / 122 (-25 / 50) | -13 / 86 (-25 / 30) |
| OUTDOOR DB (SIZES 9 - 24 208/230V) | -13 / 122 (25 / 50) | -22 / 86 (-30 / 30) |
| OUTDOOR DB (SIZES 30 AND 36) | -13 / 122 (-25 / 50) | -13 / 86 (-25 / 30) |

NOTE: Review the product install instructions for more

CUT IN/OUT TEMPERATURES

| CUT IN/OUT TEMPERATURES °F (°C) | | | | | | | | | |
|---------------------------------|------------|--------------|-----------|-------------|-----------|--------------|-----------|-------------|-----------|
| | | STANDBY MODE | | | | RUNNING MODE | | | |
| | | COOLING | | HEATING | | COOLING | | HEATING | |
| | | Cut In | Cut Out | Cut In | Cut Out | Cut In | Cut Out | Cut In | Cut Out |
| 12K | (115V) | -7.6 (-22) | -13 (-25) | -7.6 (-22) | -13 (-25) | -7.6 (-22) | -13 (-25) | -7.6 (-22) | -13 (-25) |
| 9K | (208/230V) | -25.6 (-32) | -31 (-35) | -25.6 (-32) | -31 (-35) | -25.6 (-32) | -40 (-40) | -25.6 (-32) | -40 (-40) |
| 12K | (208/230V) | -25.6 (-32) | -31 (-35) | -25.6 (-32) | -31 (-35) | -25.6 (-32) | -40 (-40) | -25.6 (-32) | -40 (-40) |
| 18K | (208/230V) | -25.6 (-32) | -31 (-35) | -25.6 (-32) | -31 (-35) | -25.6 (-32) | -40 (-40) | -25.6 (-32) | -40 (-40) |
| 24K | (208/230V) | -25.6 (-32) | -31 (-35) | -25.6 (-32) | -31 (-35) | -25.6 (-32) | -40 (-40) | -25.6 (-32) | -40 (-40) |
| 30K | (208/230V) | -7.6 (-22) | -13 (-25) | -7.6 (-22) | -13 (-25) | -7.6 (-22) | -13 (-25) | -7.6 (-22) | -13 (-25) |
| 36K | (208/230V) | -7.6 (-22) | -13 (-25) | -7.6 (-22) | -13 (-25) | -7.6 (-22) | -13 (-25) | -7.6 (-22) | -13 (-25) |

METERING DEVICES

The outdoor unit has an electronic expansion valve to manage the refrigerant flow of the connected fan coil.

DRAIN CONNECTIONS

Install drains to meet the local sanitation codes.

REFRIGERANT LINES

General refrigerant line sizing:

1. The outdoor units are shipped with a full charge of R410A refrigerant. All charges, line sizing, and capacities are based on runs of 25 ft. (7.6 m). For runs over 25 ft. (7.6 m), review “Long Line Applications:” on page 41 for the proper charge adjustments.
2. Refrigerant lines should not be buried in the ground. If it is necessary to bury the lines, do not bury more than 36-in (914 mm). Provide a minimum 6-in (152 mm) vertical rise to the service valves to prevent refrigerant migration.
3. Both lines must be insulated. Use a minimum of 1/2-in. (12.7 mm) thick insulation. Closed-cell insulation is recommended in all long-line applications.
4. Special consideration should be given to isolating the interconnecting tubing from the building structure. Isolate the tubing so vibration or noise is not transmitted into the structure.

Long Line Applications:

1. No change in line sizing is required.
2. Add refrigerant per the **Additional Charge Table** below.

Additional Charge Table

| UNIT SIZE | TOTAL LINE LENGTH FT (M) | | ADDITIONAL CHARGE, OZ/FT. FT (M) | | | |
|-----------|--------------------------|----------|----------------------------------|---------------|----------------|-----------------|
| | MIN | MAX | 10-25 (3-8) | >25-82 (8-25) | >82-98 (25-30) | >98-164 (30-50) |
| 9 | 10(3) | 82 (25) | None | 0.16 | | |
| 12 | | | | | | |
| 18 | | 98 (30) | | | 0.16 | |
| 24 | | | | | | |
| 30 | | 164 (50) | | 0.32 | 0.32 | 0.32 |
| 36 | | | | | | |

⚠ CAUTION

When the outdoor unit is matched with a Multi-Family or Residential Fan Coil and due to the need to braze the piping on the fan coil side, it is **REQUIRED** to flow Nitrogen in the system while brazing the line set since a filter drier is not recommended to be used with these condensing units.

WIRING

All wires must be sized per NEC (National Electrical Code) or CEC (Canadian Electrical Code) and local codes. Use Electrical Data table MCA (minimum circuit amps) and MOCP (maximum over current protection) to correctly size the wires and the disconnect fuse or breakers respectively.

Recommended Connection Method for Power and Communication Wiring:

The main power is supplied to the outdoor unit. The field supplied 14/3 stranded wire with ground with a 600 volt insulation rating, power/communication wiring from the outdoor unit to indoor unit consists of four (4) wires and provides the power for the indoor unit. Two wires are line voltage AC power, one is communication wiring (S) and the other is a ground wire. Wiring between indoor and outdoor unit is polarity sensitive. The use of BX wire is NOT recommended.

If installed in a high Electromagnetic field (EMF) area and communication issues exists, a 14/2 stranded shielded wire can be used to replace L2 and (S) between outdoor unit and indoor unit landing the shield onto ground in the outdoor unit only.

⚠ CAUTION

EQUIPMENT DAMAGE HAZARD

Failure to follow this caution may result in equipment damage or improper operation.

Wires should be sized based on NEC and local codes.

⚠ CAUTION

EQUIPMENT DAMAGE HAZARD

Failure to follow this caution may result in equipment damage or improper operation.

Be sure to comply with local codes while running wire from the indoor unit to the outdoor unit.

Every wire must be connected firmly. Loose wiring may cause the terminal to overheat or result in unit malfunction. A fire hazard may also exist. Ensure all wiring is tightly connected.

No wire should touch the refrigerant tubing, compressor or any moving parts.

Disconnecting means must be provided and shall be located within sight and readily accessible from the air conditioner.

Connecting cable with conduit shall be routed through the hole in the conduit panel.

NOTE: Matches with Multi Family Fan Coils, Residential Fan Coils, and Furnace combinations, and Furnace combinations require separate power for the indoor and outdoor unit. A 24V interface kit is required for compatibility. Refer to the 24V Interface Kit Installation Manual.

AIRFLOW DATA

| SYSTEM SIZE | 12K (115V) | 9K (208/230V) | 12K (208/230V) | 18K (208/230V) | 24K (208/230V) | 30K (208/230V) | 36K (208/230V) |
|---------------|---------------|------------------|-------------------|-------------------|-------------------|-------------------|-------------------|
| Outdoor (CFM) | 1,200 | 1,200 | 1,200 | 1,390 | 2,130 | 2,130 | 2,130 |

SOUND PRESSURE

| SYSTEM SIZE | | 12K (115V) | 9K (208/230V) | 12K (208/230V) | 18K (208/230V) | 24K (208/230V) | 30K (208/230V) | 36K (208/230V) |
|------------------------------|-----|---------------|------------------|-------------------|-------------------|-------------------|-------------------|-------------------|
| Outdoor sound pressure level | dBa | 52.5 | 55.5 | 56 | 57.5 | 60.5 | 60.5 | 60.5 |

SOUND PRESSURE IN OCTAVE BANDS

| | FREQUENCY (HZ) | 63 | 125 | 250 | 500 | 1,000 | 2,000 | 4,000 | 8,000 |
|------------|----------------|------|------|------|------|-------|-------|-------|-------|
| 12K (115) | COOLING DB(A) | 58.7 | 61.6 | 61.9 | 52.8 | 53.4 | 47.1 | 47.4 | 43.0 |
| | HEATING DB(A) | 57.5 | 56.1 | 52.9 | 48.9 | 47.6 | 41.5 | 36.8 | 28.6 |
| 9K (208V) | COOLING DB(A) | 52.5 | 56.3 | 51.6 | 48.8 | 46.5 | 42.6 | 36.8 | 29.6 |
| | HEATING DB(A) | 62.6 | 57.1 | 56.2 | 53.7 | 52.6 | 47.1 | 42.8 | 35.8 |
| 12K (208V) | COOLING DB(A) | 53.0 | 52.9 | 50.8 | 48.1 | 47.2 | 41.5 | 36.2 | 28.7 |
| | HEATING DB(A) | 61.9 | 61.2 | 55.1 | 52.6 | 52.1 | 46.9 | 42.9 | 35.6 |
| 18K (208V) | COOLING DB(A) | 57.7 | 57.3 | 59.8 | 52.5 | 48.8 | 43.8 | 39.6 | 34.8 |
| | HEATING DB(A) | 67.8 | 62.3 | 60.4 | 60.6 | 53.2 | 49.1 | 45.0 | 37.9 |
| 24K (208V) | COOLING DB(A) | 64.6 | 61.7 | 56.9 | 54.5 | 51.7 | 46.8 | 44.7 | 38.6 |
| | HEATING DB(A) | 67.3 | 63.6 | 59.5 | 56.3 | 55.9 | 50.2 | 47.3 | 43.4 |
| 30K (208V) | COOLING DB(A) | 60.6 | 60.0 | 54.0 | 51.0 | 51.3 | 46.5 | 45.0 | 40.3 |
| | HEATING DB(A) | 62.9 | 60.2 | 56.3 | 53.9 | 52.4 | 48.7 | 45.7 | 40.3 |
| 36K (208V) | COOLING DB(A) | 58.7 | 61.6 | 61.9 | 52.8 | 53.4 | 47.1 | 47.4 | 43.0 |
| | HEATING DB(A) | 60.7 | 61.3 | 56.6 | 53.9 | 52.7 | 49.2 | 47.0 | 41.2 |

Outdoor Unit Sound Pressure Test Conditions

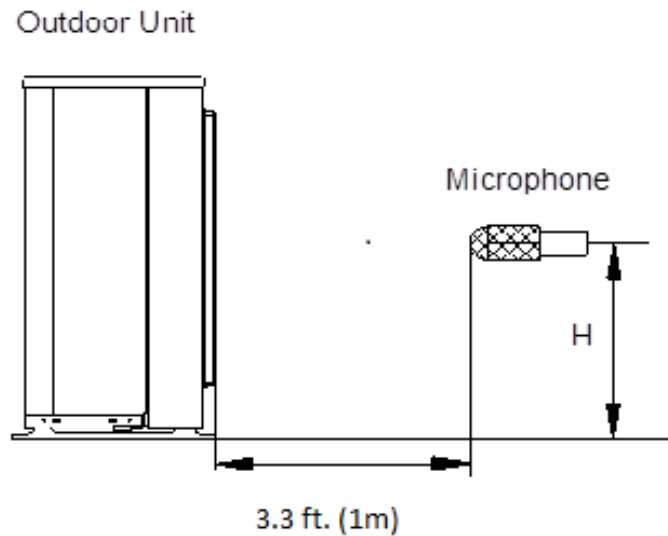


Fig. 8 — Outdoor Unit Sound Pressure Test

NOTE: $H=0.5 \times$ Height of outdoor unit

| | INDOOR CONDITION | | OUTDOOR CONDITION | |
|---------|------------------|---------------|-------------------|---------------|
| | DB | WB | DB | WB |
| COOLING | 80.6°F (27°C) | 66.2°F (19°C) | 95°F (35°C) | 75.2°F (24°C) |
| HEATING | 68°F (20°C) | 59°F (15°C) | 44.6°F (7°C) | 42.8°F (6°C) |

ELECTRICAL DATA

| SYSTEM SIZE | | 12K | 9K | 12K | 18K | 24K | 30K | 36K |
|--------------|--------------------------|----------|--------------|--------------|--------------|--------------|--------------|--------------|
| POWER SUPPLY | Volts-PH-Hz | 115-1-60 | 208/230-1-60 | 208/230-1-60 | 208/230-1-60 | 208/230-1-60 | 208/230-1-60 | 208/230-1-60 |
| | Max – Min* Oper. Voltage | 126-104 | 253-187 | 253-187 | 253-187 | 253-187 | 253-187 | 253-187 |
| | MCA | 15 | 9 | 9 | 18 | 20 | 20 | 25 |
| | Max Fuse/ CB AMP | 20 | 15 | 15 | 25 | 30 | 30 | 35 |
| COMPRESSOR | Volts-PH-Hz | 115-1-60 | 208/230-1-60 | 208/230-1-60 | 208/230-1-60 | 208/230-1-60 | 208/230-1-60 | 208/230-1-60 |
| | RLA | 9 | 5.25 | 5.65 | 12.3 | 14 | 15 | 17 |

*Permissible limits of the voltage range at which the unit will operate satisfactorily.

LEGEND

FLA - Full Load Amps
MCA - Minimum Circuit Amps
RLA - Rated Load Amps

Fan and Motor Specifications

| 38MAR UNIT SIZE | | | 12K | 9K | 12K | 18K | 24K | 30K | 36K |
|-------------------|------------------|---------|--------------------------|--------------------------|--------------------------|---------------------------|---------------------------|---------------------------|---------------------------|
| | | | (115V) | (208/230V) | (208/230V) | (208/230V) | (208/230V) | (208/230V) | (208/230V) |
| OUTDOOR FAN | Material | | AS | AS | AS | AS | AS | AS | AS |
| | Type | | ZL-429*119*8-3KN (ASG30) | ZL-427*139*8-3KN (ASG30) | ZL-427*139*8-3KN (ASG30) | ZL-490*151*12-3KN (ASG30) | ZL-560*139*12-3KN (ASG30) | ZL-560*139*12-3KN (ASG30) | ZL-560*139*12-3KN (ASG30) |
| | Diameter | inch | 429 | 427 | 427 | 490 | 560 | 560 | 560 |
| | Height | inch | 119 | 139 | 139 | 151 | 139 | 139 | 139 |
| OUTDOOR FAN MOTOR | Model | | ZKFN-40-8-1L | ZKFN-40-8-1L | ZKFN-40-8-1L | ZKFN-50-8-2 | ZKFN-120-8-2 | ZKFN-120-8-2 | ZKFN-120-8-2 |
| | Volts | V | 115 | 208/230 | 208/230 | 208/230 | 208/230 | 208/230 | 208/230 |
| | Phase | | 1 | 1 | 1 | 1 | 1 | 1 | 1 |
| | Hertz | Hz | 60 | 60 | 60 | 60 | 60 | 60 | 60 |
| | FLA | | 0.6 | 0.38 | 0.38 | 0.42 | 0.5 | 0.6 | 0.6 |
| | Rated HP | HP | 0.053 | 0.053 | 0.053 | 0.067 | 0.16 | 0.16 | 0.16 |
| | Output | W | 40 | 40 | 40 | 50 | 120 | 120 | 120 |
| | Type | | DC | | | | | | |
| | Insulation class | | A | A | A | A | A | A | A |
| | Safe class | | IPX4 | IPX4 | IPX4 | IPX4 | IPX4 | IPX4 | IPX4 |
| | Input | W | 54 | 54 | 54 | 115 | 87 | 87 | 87 |
| | Range of current | Amps | 0.19 ±10% | 0.19 ±10% | 0.19 ±10% | 0.41±10% | 0.31±10% | 0.31±10% | 0.31±10% |
| | Rated current | Amps | 0.19 | 0.19 | 0.19 | 0.41 | 0.31 | 0.31 | 0.31 |
| | Capacitor | µF | No Capacitor | | | | | | |
| | Speed | rev/min | 800/700/600 | 800/700/600 | 800/700/600 | 850/700/600 | 850/750/700 | 850/800/750 | 850/800/750 |
| Rated RPM | rev/min | 980 | 980 | 980 | 900 | 1,150 | 1,150 | 1,150 | |
| Max. input | W | 91 | 91 | 91 | 137 | 170 | 170 | 170 | |

WIRING DIAGRAMS

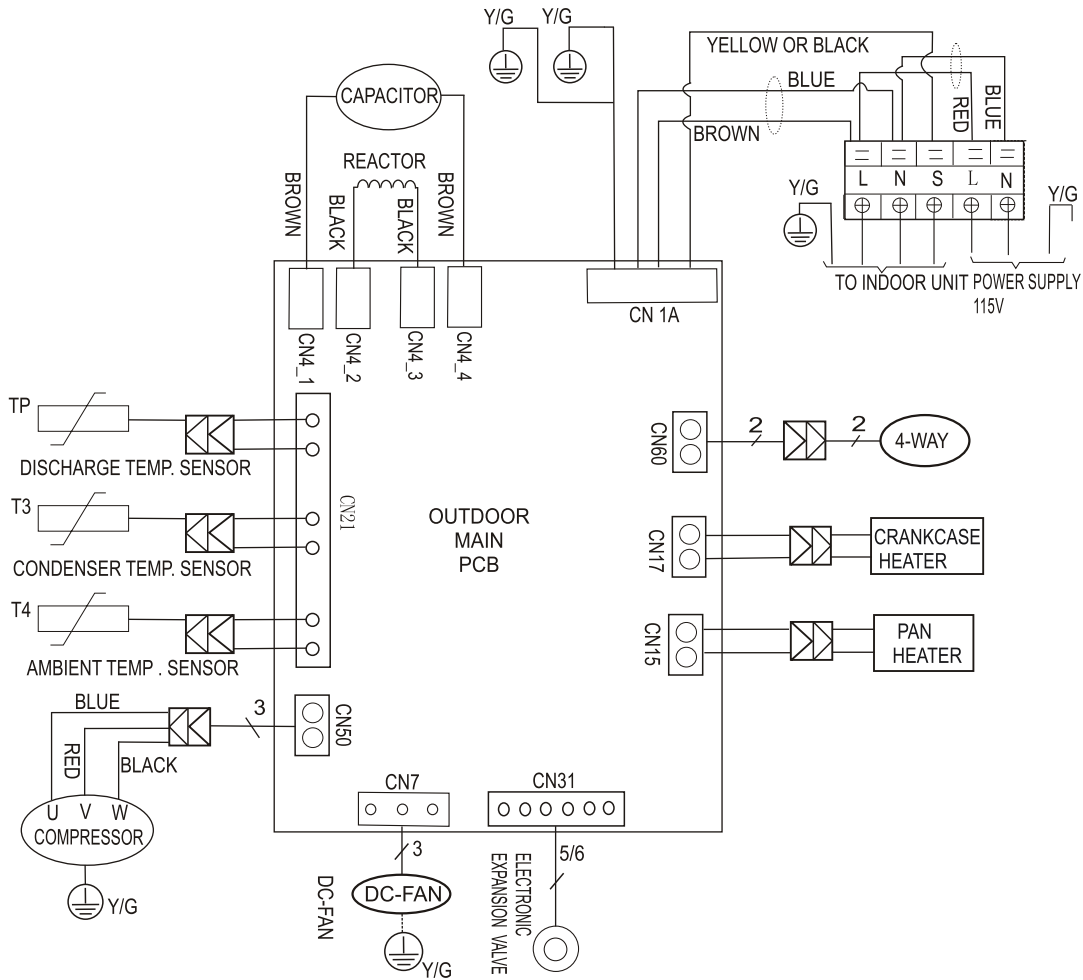


Fig. 9 — Wiring Diagram Size 12K (115V)

| CODE | PART NAME | CODE | PART NAME |
|----------------------------|--|------|--|
| CN1A | INPUT:115V High voltage connector with L/N/Ground/Signal | CN60 | Output:115 VAC for 4-way valve control |
| CN4_1 CN4_2 CN4_3 CN4_4 | Output: 115VAC High voltage connector for the power factor corrector (PFC) | CN50 | Output: PWM for UVW to control the compressor (0-320VAC) |
| CN7 | Output: PWM for UVW to control the outdoor fan (0-320VAC) | CN21 | Input: Temperature acquisition (0-5VDC) |
| CN15 | Output:1 15VAC High voltage to control the base pan heater | CN31 | Connector for electronic expansion valve (0-12VDC) |
| CN17 | Output:1 15VAC High voltage to control the crankcase heater | | |

WIRING DIAGRAMS (CONTINUED)

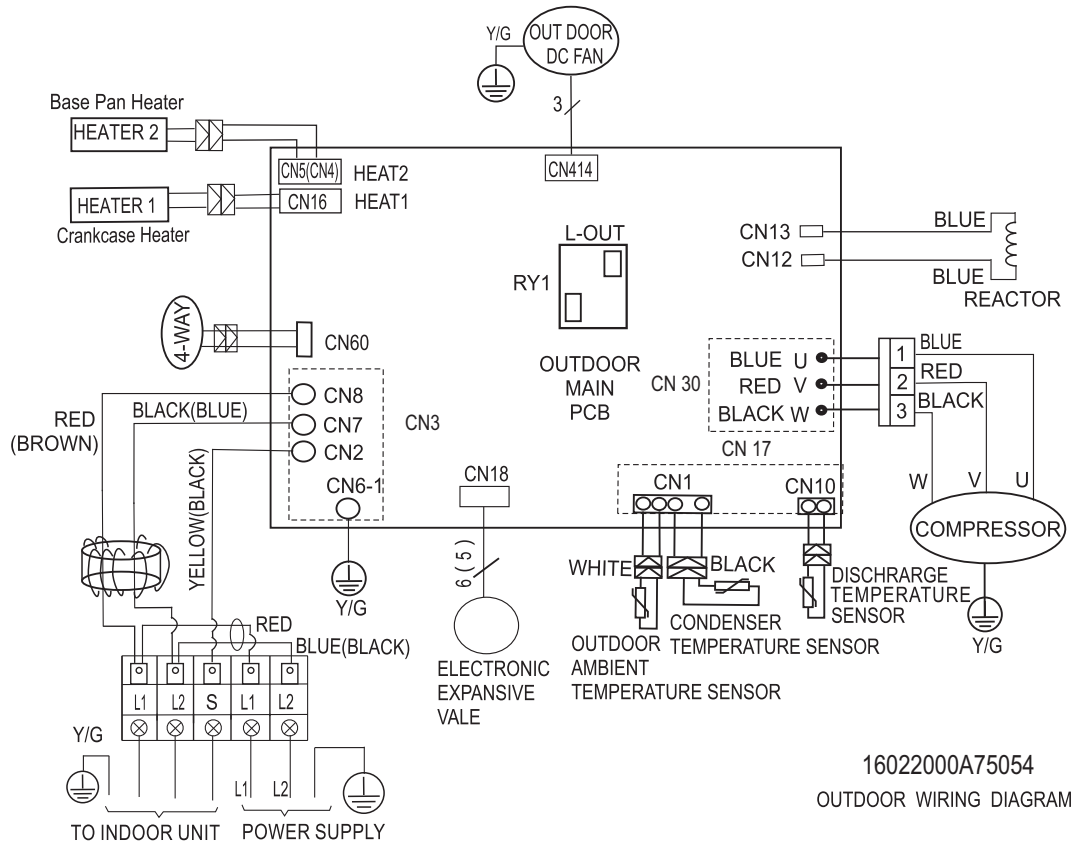


Fig. 10 — Wiring Diagram - Sizes 09K, 12K, 18K (208-230V)

| CODE | PART NAME | CODE | PART NAME |
|-----------|--|-----------|---|
| CN2 | Output: high voltage signal (to indoor unit) | CN12,CN13 | Output: High voltage to reactor |
| CN7, 8 | Input: 220 VAC High voltage (from indoor unit) | U V W | Output: Pulse (0-320VDC) to compressor |
| CN60 | Output: 220 VAC for 4-way valve control | CN10 | Input: Pin1-Pin2 (0-5V) from the discharge temperature sensor |
| CN16 | Output: 220 VAC High voltage to control the crankcase heater | CN1 | Input: Pin1, Pin3, Pin4, Pin5 (0-5V) from the condenser and outdoor ambient temperature sensors |
| CN414 | Output: Pulse (0-320VDC) to outdoor fan motor | CN6-1 | Ground Connector |
| CN5 (CN4) | Output: 220 VAC High voltage to control the base pan heater | CN18 | Output: Pin5&6 (12V) to electronic expansion valve |

NOTE: The control board wiring diagram (see Fig. 10) for units starting with serial number 2616V10001 showing one harness CN17. Prior units required 2 harnesses CN1 and CN10 on the control board.

WIRING DIAGRAMS (CONTINUED)

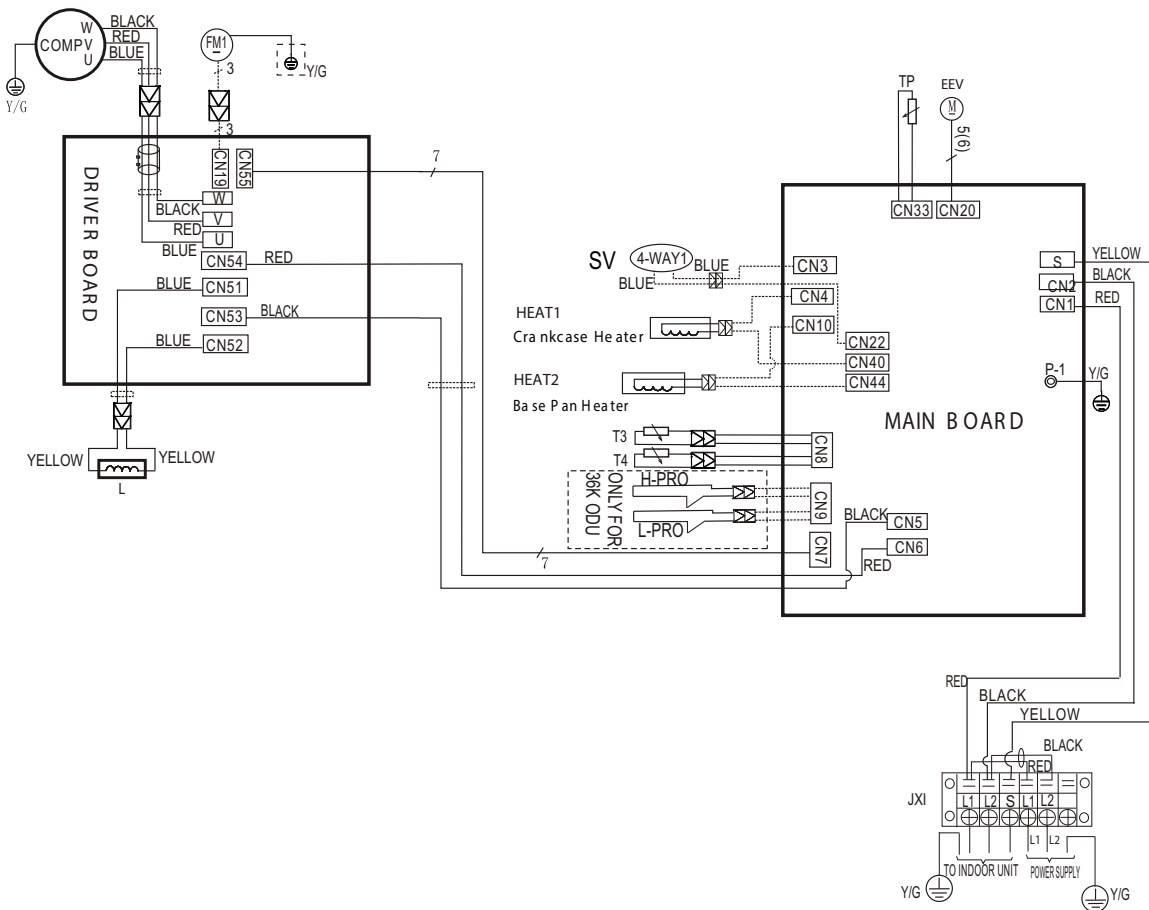


Fig. 11 — Wiring Diagram Sizes 24K - 36K

| CODE | PART NAME |
|-------|------------------------------------|
| Comp | Compressor |
| CAP1 | Fan Motor Capacitor |
| EEV | Electronic Expansion Valve |
| FM1 | Outdoor DC Fan |
| H-PRO | High Pressure Switch |
| L | PFC Inductor |
| L-PRO | Low Pressure Switch |
| SV | 4-Way Valve |
| TP | Exhaust Temperature Sensor |
| T3 | Condenser Temperature Sensor |
| T4 | Outdoor Ambient Temperature Sensor |

| CODE | PART NAME | CODE | PART NAME |
|------------|--|------------|--|
| CN1, CN2 | Input: 220VAC high voltage (indoor unit) | CN9 | Input: Pin1, Pin2, Pin4, Pin5 (0-5V) for high and low pressure switches where applicable |
| S | Input: High Voltage Signal (indoor unit) | CN10, CN44 | Output: 220VAC high voltage for base pan heater |
| CN3, CN22 | Output: 220VAC for 4-way valve control | CN19 | Output: Pulse (0-320VDC) for Outdoor DC Fan |
| CN4, CN40 | Output: 220VAC high voltage for crankcase heater | CN20 | Output: (Pin5 or 6) to EEV Pin1, 2, 3, 4). Pulse waveform (0-12V) |
| CN5, CN6 | Output: 220VAC high voltage for power for the driver board | CN33 | Input: Pin1, Pin2 (0-5V) from exhaust temperature sensor |
| CN53, CN54 | Input: 220VAC high voltage for driver board | CN51, CN52 | Output: 220VAC high voltage for PFC inductor |
| CN7 | Output: Pin1-3=12VDC. Pin2-3=5VDC. (other pin for chip communication) | U V W | Output: Pulse (0-320VDC) for Compressor |
| CN55 | Input: Pin1-3=12VDC. Pin2-3=5VDC. (other pin for chip communication) | P-1 | Ground Connector |
| CN8 | Input: Pin1, Pin3, Pin4, Pin5 (0-5V) for condenser and outdoor ambient temperature sensors | | |

GUIDE SPECIFICATIONS

HORIZONTAL DISCHARGE OUTDOOR UNITS

Size Range: 3/4 to 3 Ton Nominal Cooling and Heating Capacity
Model Number: 38MA*R

Part 1 - GENERAL

1.01 System Description

1. Outdoor air-cooled split system compressor sections suitable for on-the-ground, rooftop, wall hung or balcony mounting. Units consist of a rotary compressor, an air-cooled coil, propeller-type draw-through outdoor fan, reversing valve (HP), accumulator (HP units), metering device(s), and a control box. Units discharge air horizontally as shown on the contract drawings. Units function as the outdoor component of an air-to-air heat pump system.
2. Units are to be used in a refrigeration circuit matched to ductless heat pump fan coil units.

1.02 Agency Listings

1. Unit construction complies with ANSI/ASHRAE 15, latest revision, and with the NEC.
2. Units are evaluated in accordance with UL standard 1995.
3. Units are listed in the CEC directory.
4. Unit cabinet is capable of withstanding 500-hour salt spray test per Federal Test Standard No. 141 (method 6061).
5. Air-cooled condenser coils are leak tested at 550 psig.

1.03 Delivery, Storage, And Handling

Units are shipped in one piece and are stored and handled per unit manufacturer's recommendations.

1.04 Warranty (For Inclusion By Specifying Engineer)

Part 2 - PRODUCTS

2.01 Equipment

A. General:

Factory assembled, single piece, air-cooled outdoor unit. Contained within the unit enclosure is all the factory wiring, piping, controls, and the compressor.

B. Unit Cabinet:

1. Unit cabinet is constructed of galvanized steel, bonderized and coated with a baked-enamel finish on the inside and outside.
2. Unit access panels is removable with minimal screws and provides full access to the compressor, fan, and control components.
3. The outdoor compartment is isolated and has an acoustic lining to assure quiet operation.

C. Fans:

1. Outdoor fans are the direct drive propeller type, and discharges air horizontally. Fans draw air through the outdoor coil.
2. Outdoor fan motors are totally enclosed, single phase motors with class E insulation and permanently lubricated ball bearings. Motor shall be protected by internal thermal overload protection.
3. The shaft has inherent corrosion resistance.
4. Fan blades are non-metallic and statically and dynamically balanced.
5. Outdoor fan openings are equipped with a PVC metal/mesh coated protection grille over the fan.

D. Compressor:

1. Compressor is the fully hermetic rotary type.
2. Compressor is equipped with an oil system, operating oil charge, and a motor.
3. Motor is NEMA rated class E, suitable for operation in a refrigerant atmosphere.
4. Compressor assembly is installed on rubber vibration isolators.

E. Outdoor Coil:

The coil is constructed of aluminum hydrophilic pre-coated fins mechanically bonded to seamless copper tubes, which are cleaned, dehydrated, and sealed.

F. Refrigeration Components:

Refrigerant circuit components include a brass external liquid line service valve with service gage port connections, a suction line service valve with a service gage connection port, service gage port connections on compressor suction and discharge lines with Schrader type fittings with brass caps, accumulator, reversing valve.

G. Controls and Safeties:

Operating controls and safeties are factory selected, assembled, and tested. The minimum control functions include the following:

1. Controls:
 - A time delay control sequence is provided standard through the fan coil board
 - Automatic outdoor fan motor protection.
2. Safeties:
 - System diagnostics
 - Compressor motor current and temperature overload protection
 - Outdoor fan failure protection.

H. Electrical Requirements:

1. Unit operates on single-phase, 60 Hz power at 115V for unit size 12 and 208/230V for unit sizes 09, 12, 18, 24, 30 and 36, as specified.
2. Unit electrical power has a single point connection.
3. Unit Control voltage to the indoor fan coil is 0-15V DC.
4. All power and control wiring must be installed per NEC and all local electrical codes.
5. The unit has high and low voltage terminal block connections.

